

Product End-of-Life Instructions

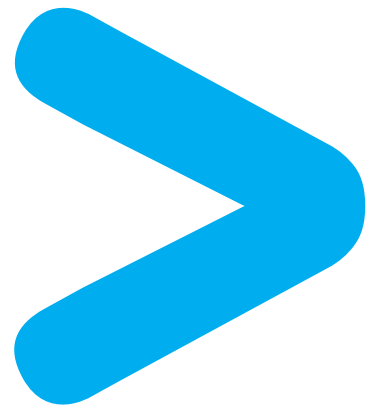
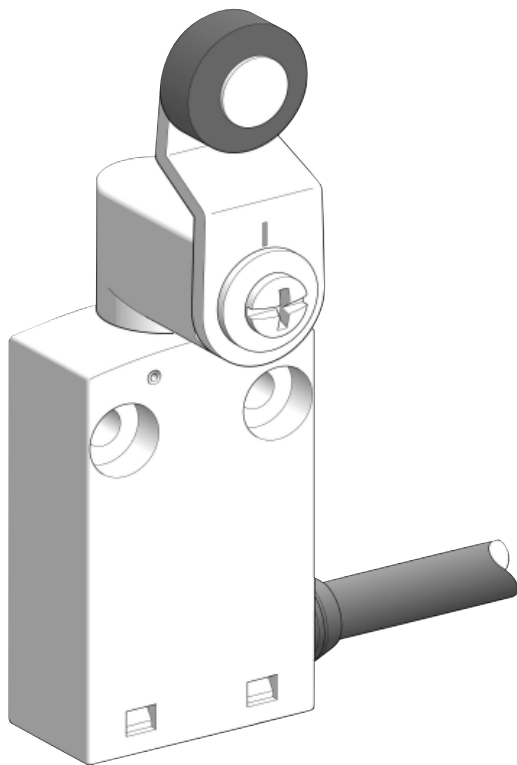
XCMN Plastic Limit Switch

Product Range

XCMN Plastic Limit Switch

Marketing Model

XCMN range



Size in mm:

H x L x l : 50 x 30 x 16 for the body of XCMN2115L1

Weight in g:

142 for XCMN2115L1

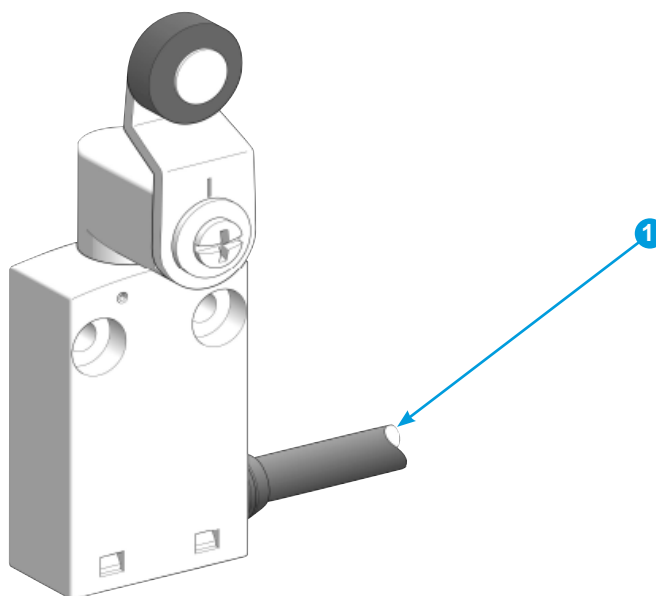


Operations recommended for the end of life treatment

There are several steps to process the products at the end of life so as to recover components, materials or energy:

Reuse ⇒ Separation for special treatment ⇒ Other dismantling ⇒ Shredding

The components of the products that are recommended to be separated from the flow of waste for special treatment are listed, identified and located hereunder.



Comment	Number on drawing	Components	Weight (g)	Comment
Special treatment	1	External electrical cable	66 for XCMN2115L1	The weight of the cable depends on the commercial reference. Cut it and send it for special treatment.

For more information please contact us at: global-green-sensors@schneider-electric.com.

Schneider Electric Industries SAS

35, rue Joseph Monier
CS30323
F - 92506 Rueil Malmaison Cedex

RCS Nanterre 954 503 439
Capital social 896 313 776 €
www.schneider-electric.com

The version of the Guide used to create the document: End of Life Instruction Drafting Guide of Schneider Electric version V3.

Publication : Schneider Electric