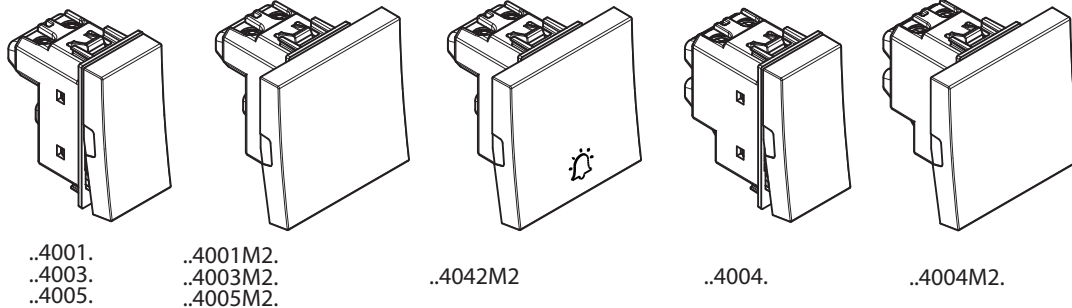


Classia

- One-way switch
- Two-way switch
- Four-way switch
- Pushbutton

RW4001 - RA4001 - RG4001 -- RW4001P - RA4001P - RG4001P
 RW4001M2 - RA4001M2 - RG4001M2 -- RW4001M2P - RA4001M2P - RG4001M2P
 RW4003 - RA4003 - RG4003 -- RW4003P - RA4003P - RG4003P
 RW4003M2 - RA4003M2 - RG4003M2 -- RW4003M2P - RA4003M2P - RG4003M2P
 RW4004 - RA4004 - RG4004 -- RW4004P - RA4004P - RG4004P
 RW4004M2 - RA4004M2 - RG4004M2 -- RW4004M2P - RA4004M2P - RG4004M2P
 RW4005 - RA4005 - RG4005 -- RW4005P - RA4005P - RG4005P
 RW4005M2 - RA4005M2 - RG4005M2 -- RW4005M2P - RA4005M2P - RG4005M2P
 RW4042M2 - RA4042M2 - RG4042M2



Use

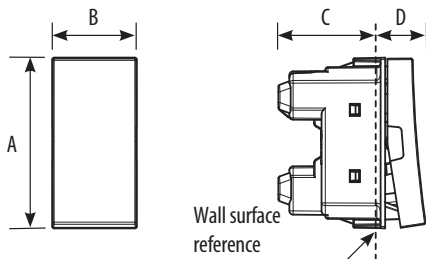
Rocker control device for lighting and other loads.

Range

Designation	Item 1 Module	Item 2 Modules
One-way switches 1P 10AX 250 Va.c.	<input type="checkbox"/> RW4001. <input type="checkbox"/> RA4001. <input type="checkbox"/> RG4001.	<input type="checkbox"/> RW4001M2. <input type="checkbox"/> RA4001M2. <input type="checkbox"/> RG4001M2.
Two-way switches 1P 10AX 250 Va.c.	<input type="checkbox"/> RW4003. <input type="checkbox"/> RA4003. <input type="checkbox"/> RG4003.	<input type="checkbox"/> RW4003M2. <input type="checkbox"/> RA4003M2. <input type="checkbox"/> RG4003M2.
Four-way switches Intermediate 10AX 250 Va.c.	<input type="checkbox"/> RW4004. <input type="checkbox"/> RA4004. <input type="checkbox"/> RG4004.	<input type="checkbox"/> RW4004M2. <input type="checkbox"/> RA4004M2. <input type="checkbox"/> RG4004M2.
Pushbuttons 1P (NO) 10A 250 Va.c.	<input type="checkbox"/> RW4005. <input type="checkbox"/> RA4005. <input type="checkbox"/> RG4005.	<input type="checkbox"/> RW4005M2. <input type="checkbox"/> RA4005M2. <input type="checkbox"/> RG4005M2. <input type="checkbox"/> RW4042M2 <input type="checkbox"/> RA4042M2 <input type="checkbox"/> RG4042M2

Color code: White colour Aluminum colour Black colour

Overall dimensions (mm)



Designation	A	B	C	D
..4001... ..4003... ..4005... ..4042..				
1 Module	45.1	22.3	27	11.9
2 Modules	45.1	44.7	27	11.9
..4004... ..4004M2..				
1 Module	45.1	22.3	28.1	11.9
2 Modules	45.1	44.7	28.1	11.9

Connection

Terminal type: screw clamp
 Terminal capacity: 2 x 4 mm² max
 Stripping length: 9 mm
 Compatible with flexible or rigid cables

Technical characteristics

- **Protection index**
 (considering a complete installation, including cover plate)
 Penetration by solid bodies/liquid: IP40
- **Mechanical characteristics**
 Impact test: IK 04
- **Material characteristics**
 Material:
 Case: PC (Polycarbonate)
 Key cover: ABS - ABS/PC
 UV resistant.
 Self-extinguishing:
 850° C / 30 s for insulating parts holding live parts in place
 650° C / 30 s for other parts made of insulating materials
- **Electrical characteristics**
 Voltage: 250 V a.c.
 Current: 10AX for ..4001... / ..4003... / ..4004...
 Current: 10A for ..4005... / ..4042..
- **Climatic characteristics**
 Storage temperature: - 10° C to + 70° C Use
 temperature: - 5° C to + 35° C

Cleaning

Clean the surface with a cloth.
 Do not use acetone, tar-removing cleaning agents or trichloroethylene.
Caution: Always test before using special cleaning products.

Standards and approvals

Compliance with standards IEC/EN 60669-1.
 Refer to e.catalogue.