


10158000	DATA SHEET	
Valid from: 01.04.2022	EPIC® H-B 48 TS	

Description

- The large, robust housing for two inserts in one connector
- Power and data in one connector



General Characteristics

Series	H-B 48
Version	Hood
Locking	Bolts for single lever
Cable entry	1x lateral, see table
Gland body	See table
Protection (DIN EN 60529)	IP 65 (latched)
Temperature Range	-40°C to +100°C, short term up to +125°C

Materials / Surfaces

Housing	Aluminium alloy, powder-coated, grey
Locking	Stainless steel
Gland body	Brass, nickel plated


Standard

Safety Standard	IEC 61984
-----------------	-----------

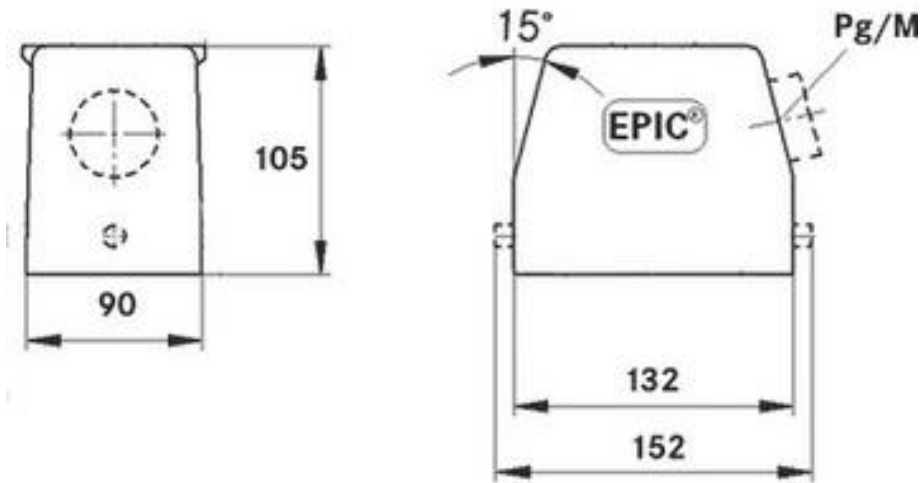
Versions

Article number	Article description	Cable entry	Gland body
10158000	EPIC® H-B 48 TS 29 ZW	Pg 29	Yes
10159000	EPIC® H-B 48 TS 36 ZW	Pg 36	Yes
10159200	EPIC® H-B 48 TS 36	Pg 36	No
10160000	EPIC® H-B 48 TS 42 ZW	Pg 42	Yes
19158000	EPIC® H-B 48 TS M32	M32	No
19159000	EPIC® H-B 48 TS M40	M40	No
19160000	EPIC® H-B 48 TS M50	M50	No

Creator: BEGE1/PDP Released: IVSE1/PDP	Document: DB10158000EN Version: 00	Page 1 of 2
---	---------------------------------------	-------------

10158000	DATA SHEET	
Valid from: 01.04.2022	EPIC® H-B 48 TS	

Technical Drawings



Industrial machinery and plant engineering



Mechanical resistance



Robust



Waterproof

Application range

Plant engineering, Plastics industry

Remark

Photographs are not to scale and do not represent detailed images of the respective products.

Creator: BEGE1/PDP Released: IVSE1/PDP	Document: DB10158000EN Version: 00	Page 2 of 2
---	---------------------------------------	-------------