


|                           |                           |   |
|---------------------------|---------------------------|---|
| 22260846                  | <b>DATA SHEET</b>         |  |
| Valid from:<br>12.09.2019 | <b>AB-C4-(L*)PVC-M8FA</b> |   |

## Product description

Sensor/actuator cable, 4-pos., PVC black, angled socket M8 on free conductor end.



## Product variations

| Article number | Article description | Length (L*) [m] |
|----------------|---------------------|-----------------|
| 22260846       | AB-C4-2,0PVC-M8FA   | 2               |
| 22260845       | AB-C4-5,0PVC-M8FA   | 5               |
| 22260844       | AB-C4-10,0PVC-M8FA  | 10              |

This datasheet is also valid for other length configurations. Other lengths upon request.

## M8 connector

### General properties

|                       |                                      |
|-----------------------|--------------------------------------|
| Coding                | A                                    |
| Protection degree     | IP65/IP67/IP68                       |
| Number of contacts    | 4                                    |
| Ambient temperature   | -25 °C to +90 °C (-13 °F to +194 °F) |
| Rated voltage         | 30 V                                 |
| Rated current         | 4 A                                  |
| Insulation resistance | ≥ 100 MΩ                             |
| Contact resistance    | ≤ 5 mΩ                               |
| Overvoltage category  | II                                   |
| Pollution degree      | 3                                    |
| Tightening torque     | 0.2 Nm                               |
| Mating cycles         | 100                                  |


### Materials

|   |                              |
|---|------------------------------|
| Contact carrier                                     | TPU GF                       |
| Contact carrier, inflammability class acc. to UL 94 | HB                           |
| Material, contacts                                  | CuSn                         |
| Contact surface                                     | Ni/Au                        |
| Material, grip body                                 | TPU                          |
| Material, knurl                                     | zinc die-cast, nickel-plated |
| Material, sealing                                   | NBR                          |

### Cable

|                                 |   |
|---------------------------------|---|
| Signal line, construction       | 14 x 0.15 mm                              |
| Signal line, AWG                | 24  |
| Conductor, material             | stranded of bare copper wire              |
| Conductor, cross-section        | 0.25 mm <sup>2</sup>                      |
| Number of cores                 | 4   |
| Core identification code        | brown (1), white (2), blue (3), black (4) |
| Outer diameter, core insulation | 1.17 mm                                   |
| Core insulation, material       | PVC                                       |
| Outer sheath                    | PVC                                       |
| Outer sheath, colour            | black similar to RAL 9005                 |
| Outer diameter, cable           | 4.4 mm                                    |

|   |                                       |             |
|---|---------------------------------------|-------------|
| Creator: MANA2/PDP<br>Released: IVSE1/PDP | Document: DB22260846EN<br>Version: 05 | Page 1 of 2 |
|---|---------------------------------------|-------------|

|                           |                           |   |
|---------------------------|---------------------------|---|
| 22260846                  | <b>DATA SHEET</b>         |  |
| Valid from:<br>12.09.2019 | <b>AB-C4-(L*)PVC-M8FA</b> |   |

|   |                                      |
|---|--------------------------------------|
| Ambient temperature, fixed installation | -40 °C to +80 °C (-40 °F to +176 °F) |
| Ambient temperature, flexing            | -25 °C to +80 °C (-13 °F to +176 °F) |
| Nominal voltage                         | ≤ 300 V                              |
| Test voltage                            | ≥ 3000 V                             |

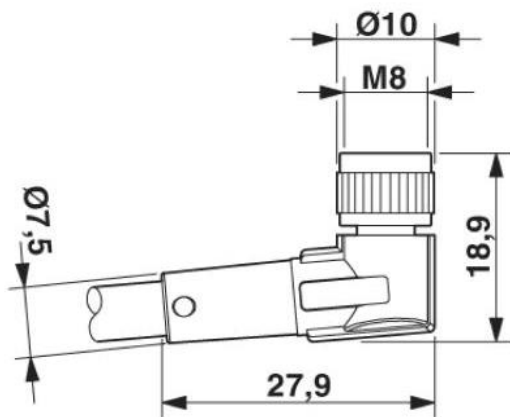
Flame retardance: flame retardant acc. to UL-Style 2464

### Standards/Approvals

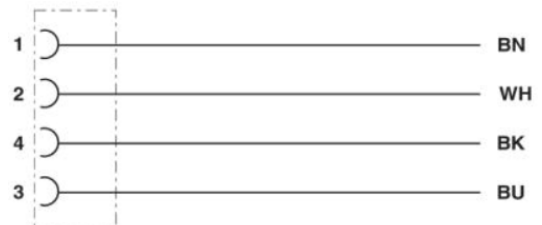
|                                |                 |
|--------------------------------|-----------------|
| Product standard, M8 connector | IEC 61076-2-104 |
| UL-listed, E-File              | E249137         |

### Drawings

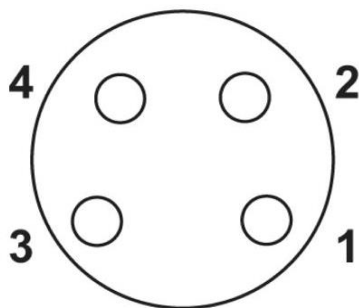
#### Dimensioned drawing, M8 connector



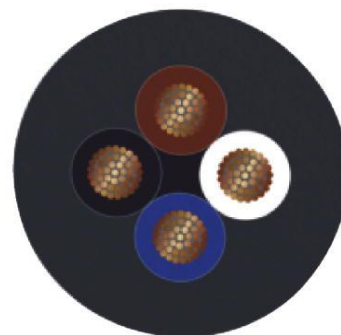
#### Wiring diagram



#### Pin assignment



#### Cable



Core identification code: brown (1), white (2), blue (3), black (4)

### Application range

For medium mechanical stress in dry conditions

### Note

Photographs are not true to scale and do not represent detailed images of the respective products.

|   |                                       |             |
|---|---------------------------------------|-------------|
| Creator: MANA2/PDP<br>Released: IVSE1/PDP | Document: DB22260846EN<br>Version: 05 | Page 2 of 2 |
|---|---------------------------------------|-------------|