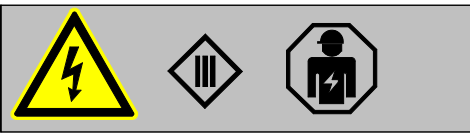
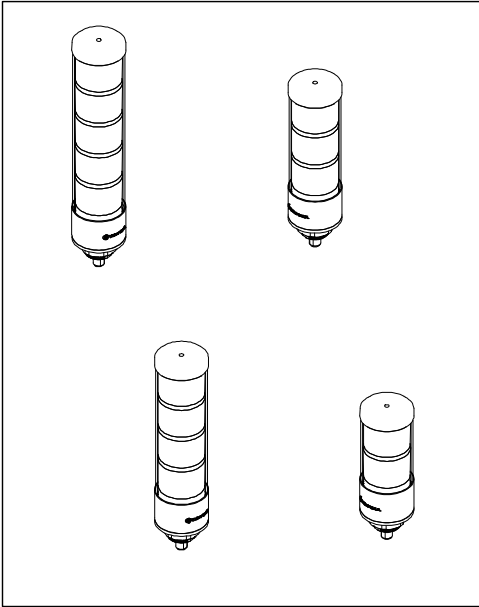
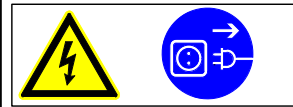


* -40°C : No buzzer version only

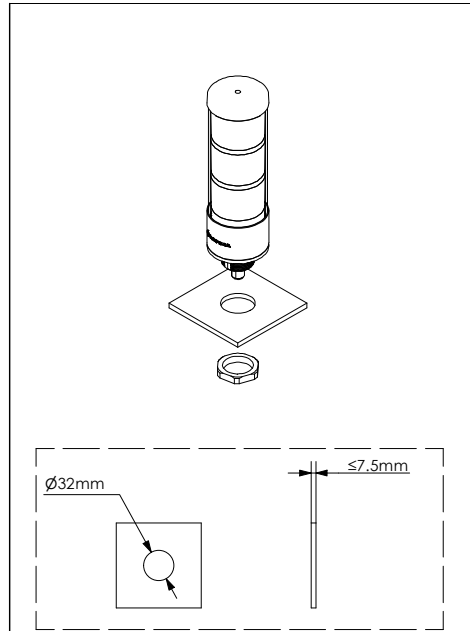


- (D) Anschluss ausschließlich durch ausgebildete Elektro-Fachkräfte.
- (GB) Electrical connection is to be made by trained electrical specialists only.
- (F) Le branchement doit uniquement être effectué par des professionnels.
- (I) Il collegamento deve essere eseguito solo da elettricisti specializzati.
- (E) La conexión sólo debe ser realizada por electricistas debidamente formados.
- (PT) A ligação deve ser feita exclusivamente por profissional elétrico especializado.
- (NL) De aansluiting mag enkel gebeuren door erkende vakmensen.
- (CZ) Připojení smí provádět pouze kvalifikovaný personál.
- (PL) Podłączenie wyłącznie przez specjalistów-elektryków.
- (FI) Liittäminen kuuluu ainoastaan koulutettujen sähköalan ammattilaisten tehtäviin.
- (RU) Подключение проводов только специалистом-электриком.
- (TR) Bağlantı sadece eğitimli elektrik teknisyenleri tarafından yapılmalıdır.
- (CN) 布线需由专业电工执行

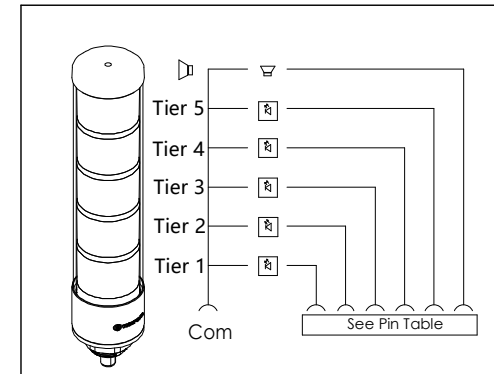
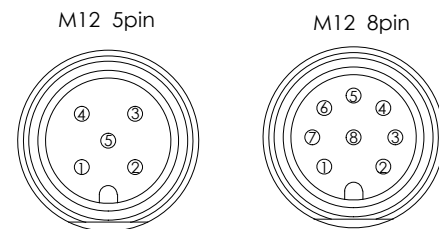


Vol			Current
12 VDC		686 900 04	GN $I_{max}<85mA$ RD $I_{max}<45mA$ YE $I_{max}<115mA$ BU $I_{max}<85mA$
2.4VDC	686 263 15 686 373 15 686 483 15 686 593 15	686 263 05 686 373 05 686 483 05 686 593 05 686 900 05	Sound $I_{max}<45mA$ RD $I_{max}<25mA$ GN $I_{max}<45mA$ YE $I_{max}<55mA$ CL $I_{max}<45mA$ BU $I_{max}<45mA$

	Continuous tone	2.8kHz
	Loudness	90 dB(Max)



- 1a- 686 263 05 , 686 263 15
686 373 05 , 686 373 15
- 1b- 686 483 05
- 1c- 686 900 04, 686 900 05
- 1d- 686 483 15 , 686 593 05
686 593 15



1a

Function	Pin	M12 5pin
	5	
Tier 3	4	
Tier 2	2	
Tier 1	1	
Com	3	

1b

Function	Pin	M12 5pin
Tier 4	5	
Tier 3	4	
Tier 2	2	
Tier 1	1	
Com	3	

1c

Function	Pin	M12 5pin
Tier 4	4	
Tier 3	2	
Tier 2	1	
Tier 1	5	
Com	3	

1d

Function	Pin	M12 8pin
	6	
Tier 5	5	
Tier 4	4	
Tier 3	3	
Tier 2	2	
Tier 1	1	
Com	7	

Marking of Hazardous Substances

有害物质标识

WERMA Signaltechnik GmbH + Co. KG
Dürbheimer Straße 15
78604 Rietheim-Weilheim / Germany

WERMA article number 伟马快德物料号:

686.263.15, 686.373.15, 686.483.15, 686.593.15

According to the SJ/T 11364-2014 Standard of the People's Republic of China for the Electronic Industry

本表格依据中华人民共和国 SJ/T 11364-2014 的规定编制

Component Name 部件名称	Hazardous Substances 有害物质					
	Lead 铅 (Pb)	Mercury 汞 (Hg)	Cadmium 镉 (Cd)	Hexavalent Chromium 六价铬 (Cr (VI))	Polybrominated biphenyls 多溴联苯 (PBB)	Polybrominated diphenyl ethers 多溴二苯醚 (PBDE)
Plastic parts 塑料件	○	○	○	○	○	○
Label 标签	○	○	○	○	○	○
PCB and its electronics components 印制电路板及其电子元器件	X	○	○	○	○	○
Buzzer 蜂鸣器	X	○	○	○	○	○
Contact spring 接触弹片	○	○	○	○	○	○

This table was developed according to the provisions of SJ/T 11364-2014
本表格依据 SJ / T 11364-2014 的规定编制

O: The content of such hazardous substance in all homogeneous materials of such component is **below** the limit required by GB/T 26572-2011.

表示该有害物质在该部件所有均质材料中的含量均在 GB/T 26572-2011 规定的限量要求以下。

X: The content of such hazardous substance in all homogeneous materials of such component is **beyond** the limit required by GB/T 26572-2011.

表示该有害物质至少在该部件的某一均质材料中的含量超出 GB/T 26572-2011 规定的限量要求。

Enterprises may further explain the technical reasons for ticking "X" in the table above according to their actual situation herein.

企业可在此处，根据实际情况对上表中打“X”的技术原因进行进一步说明。

*Exemptions according to EU RoHS 2011/65 Annex III and IV might be applied

*欧盟 RoHS 2011/65 附件 III 和 IV 的豁免可能适用

■ Restricted substances beyond limit required by GB/T 26572-2011.

限制物质的含量超过 GB/T26572-2011 规定限制



EFUP (Environment Friendly Use Period) 环保使用期限:

i.V. 授权 D. Kensy

Rietheim 里泰姆 16.11.2021

Place and date of issue 签发地点和日期

Director R&D 研发总监

Marking of Hazardous Substances

有害物质标识

WERMA Signaltechnik GmbH + Co. KG
Dürbheimer Straße 15
78604 Rietheim-Weilheim / Germany

WERMA article number 伟马快德物料号:

686.263.05, 686.373.05, 686.483.05, 686.593.05, 686.900.04, 686.900.05

According to the SJ/T 11364-2014 Standard of the People's Republic of China for the Electronic Industry

本表格依据中华人民共和国 SJ/T 11364-2014 的规定编制

Component Name 部件名称	Hazardous Substances 有害物质					
	Lead 铅 (Pb)	Mercury 汞 (Hg)	Cadmium 镉 (Cd)	Hexavalent Chromium 六价铬 (Cr (VI))	Polybrominated biphenyls 多溴联苯 (PBB)	Polybrominated diphenyl ethers 多溴二苯醚 (PBDE)
Plastic parts 塑料件	○	○	○	○	○	○
Label 标签	○	○	○	○	○	○
PCB and its electronics components 印制电路板及其电子元器件	X	○	○	○	○	○
Buzzer 蜂鸣器	○	○	○	○	○	○
Contact spring 接触弹片	○	○	○	○	○	○

This table was developed according to the provisions of SJ/T 11364-2014
本表格依据 SJ / T 11364-2014 的规定编制

O: The content of such hazardous substance in all homogeneous materials of such component is **below** the limit required by GB/T 26572-2011.

表示该有害物质在该部件所有均质材料中的含量均在 GB/T 26572-2011 规定的限量要求以下。

X: The content of such hazardous substance in all homogeneous materials of such component is **beyond** the limit required by GB/T 26572-2011.

表示该有害物质至少在该部件的某一均质材料中的含量超出 GB/T 26572-2011 规定的限量要求。

Enterprises may further explain the technical reasons for ticking "X" in the table above according to their actual situation herein.

企业可在此处，根据实际情况对上表中打“X”的技术原因进行进一步说明。

*Exemptions according to EU RoHS 2011/65 Annex III and IV might be applied

*欧盟 RoHS 2011/65 附件 III 和 IV 的豁免可能适用

■ Restricted substances beyond limit required by GB/T 26572-2011.

限制物质的含量超过 GB/T26572-2011 规定限制



EFUP (Environment Friendly Use Period) 环保使用期限:

i.V. 授权 D. Kensy

Rietheim 里泰姆 16.11.2021

Place and date of issue 签发地点和日期

Director R&D 研发总监