

Electronic Audible Signal Devices / Electronic Multi-Ton Sounders 110

**Multi-t.sounder EM 8 tne 115VAC BK****Part No.:** 110.000.67**MECHANICAL DATA**

Height	59 mm
Diameter	72 mm
Materials	PC PC/ABS
Housing colour	Black
Protection category	IP65
Connection	Screw terminals
cross-sectional area maximum	1,50mm <sup>2</sup> / 16AWG
Type of fixing	Built-in mounting
Working temperature minimum	-20°C
Working temperature maximum	+50°C
Weight with packaging	97 g
Product weight	78 g

**ELECTRICAL DATA**

Operating voltage	115V
Operating voltage type	AC
Operating voltage frequency	60Hz
Operating voltage tolerance	+/- 10%
Rated operational voltage	115 VAC
Rated operational current	40 mA
Rated inrush current	<1A
Protection class	Protection class 2
Pollution degree	3 In the connection area: 2
Overtoltage category	II
Isolation voltage	Ui = 250V; Uimp = 2.500V

**ACOUSTIC DATA**

Volume (max) at 1m distance	100,0 dB (A)
Acoustic signal image	Multi-tone
Number of tones	8 tone
Acoustic service life	5,000 h minimum

**APPROVAL DATA**

Conforms with CE	Yes
Conforms with RoHS directive	Yes
WEEE	Yes
Conforms with ATEX-directive	No
Conforms with CCC	No

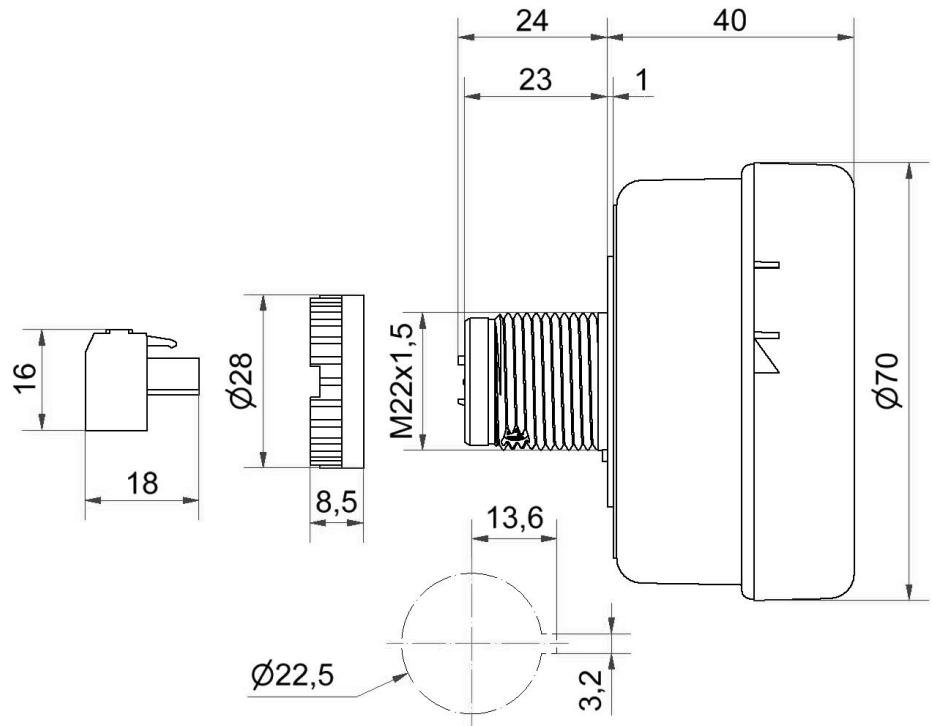


For additional installation and mounting information, refer to the appropriate user guide at [www.werma.com](http://www.werma.com). This printed copy is for information only and is subject to alteration.

Electronic Audible Signal Devices / Electronic Multi-Ton Sounders 110  
**Multi-t.sounder EM 8 tne 115VAC BK**

Conforms with UL	cULus
UL Type Rating	Type 4X
Conforms with FCC	No
Conforms with IC	No
EAC certificate available	Yes
Conforms with UKCA (Importer)	Yes (WERMA (UK) Ltd.)
Conforms with AS-I	No
ICAO Certification	No
Conforms with DNV	No
Conforms with RoHS CN	No
Conforms with VdS	No
MTTF-value [years]	839

**DRAWING**



For additional installation and mounting information, refer to the appropriate user guide at [www.werma.com](http://www.werma.com). This printed copy is for information only and is subject to alteration.