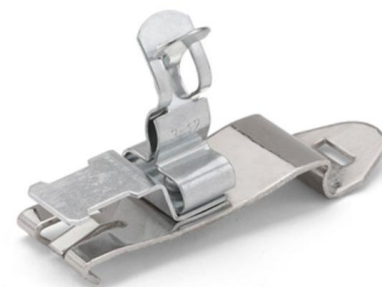


61721300	<b>DATA SHEET</b>
Valid from: 16.09.2020	<b>SCHIRMKLEMME EMC-GUARD DINrail</b>

The shield clamp on clip foot can be snapped onto a 35mm DIN rail without the use of tools. Just press the cable shield into the shield clamp to achieve a safe contact. The strain relief provides the possibility of reducing strain on the cable sheath by using a cable tie.

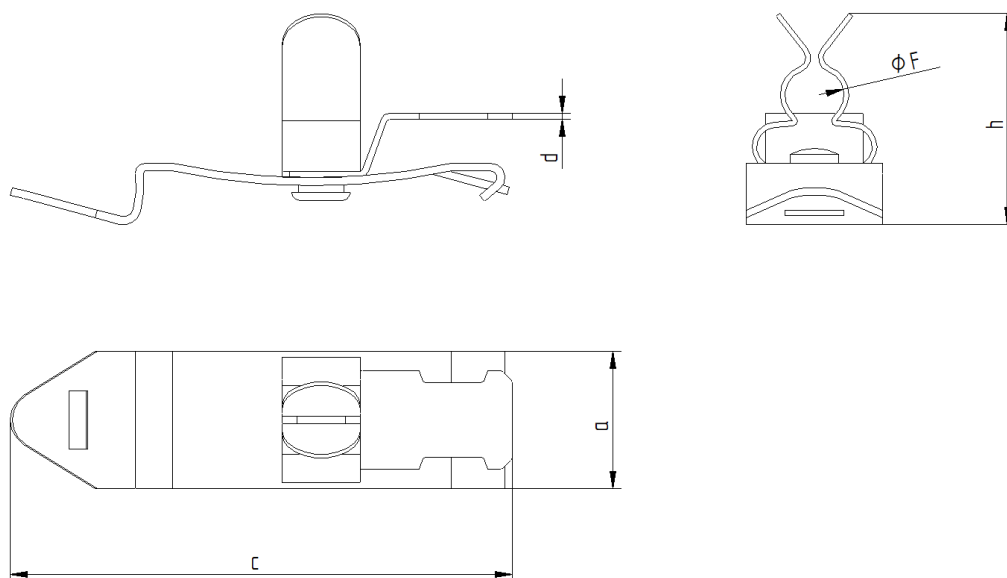


**Material:** spring steel,  
Galvanic plated

**Technical features:**  
Mounting 35mm DIN rail  
Clamping range 3 - 18mm

**Features:**  
Strain relief with cable tie acc. to DIN 62444  
Attenuation of conductance up to 40dB by 30 MHz

**Technical drawing**



**Dimensions:**

Part No	Wide a mm	Length c mm	Thickness d mm	High h mm	Clamping range Ø F mm
6172 1300	14	51,5	0,6	23,2	3 - 6
6172 1301	14	51,5	0,6	25,8	6 - 8
6172 1302	14	51,5	0,6	27,8	8 - 11
6172 1303	14	51,5	0,6	29	3 - 12
6172 1304	14	51,5	0,6	38	7 - 18