

## Completely pre-assembled Signal Towers / RST 56 RST56 Built-In 24V WH/BU/GN/YE/RD/Buzzer



|                  |                   |
|------------------|-------------------|
| <b>Part No.:</b> | <b>686.593.15</b> |
| <b>Series:</b>   | <b>RST 56</b>     |



### MECHANICAL DATA

|                             |                   |
|-----------------------------|-------------------|
| Height                      | 289 mm            |
| Diameter                    | 57 mm             |
| Materials                   | ABS<br>PC         |
| Dome colour                 | White             |
| Housing colour              | Black             |
| Protection category         | IP65<br>IP69K     |
| Connection                  | M12 socket 8-pole |
| Type of fixing              | Built-in mounting |
| Working temperature minimum | -30°C             |
| Working temperature maximum | +50°C             |
| Weight with packaging       | 358.4 g           |
| Product weight              | 319.4 g           |
| IK-Code (IEC 62262)         | IK05              |

### ELECTRICAL DATA

|                             |                    |
|-----------------------------|--------------------|
| Operating voltage           | 24V                |
| Operating voltage type      | DC                 |
| Operating voltage tolerance | +/- 10%            |
| Rated operational voltage   | 24 VDC             |
| Rated operational current   | 55 mA              |
| Protection class            | Protection class 3 |
| Pollution degree            | 3                  |

### OPTICAL DATA

|                      |   |
|----------------------|---|
| Light source         | LED                                     |
| Light colour         | Blue<br>Green<br>Red<br>White<br>Yellow |
| Optical signal image | Permanent                               |
| Service life optical | 50,000 h maximum                        |

### ACOUSTIC DATA

|                             |                 |
|-----------------------------|-----------------|
| Volume (max) at 1m distance | 90              |
| Acoustic signal image       | Continuous tone |
| Number of tones             | 1 tone          |
| Audio frequency             | 2900 Hz         |



For additional installation and mounting information, refer to the appropriate user guide at [www.werma.com](http://www.werma.com). This printed copy is for information only and is subject to alteration.

## Completely pre-assembled Signal Towers / RST 56 RST56 Built-In 24V WH/BU/GN/YE/RD/Buzzer

|                       |                 |
|-----------------------|-----------------|
| Acoustic service life | 5,000 h minimum |
|-----------------------|-----------------|

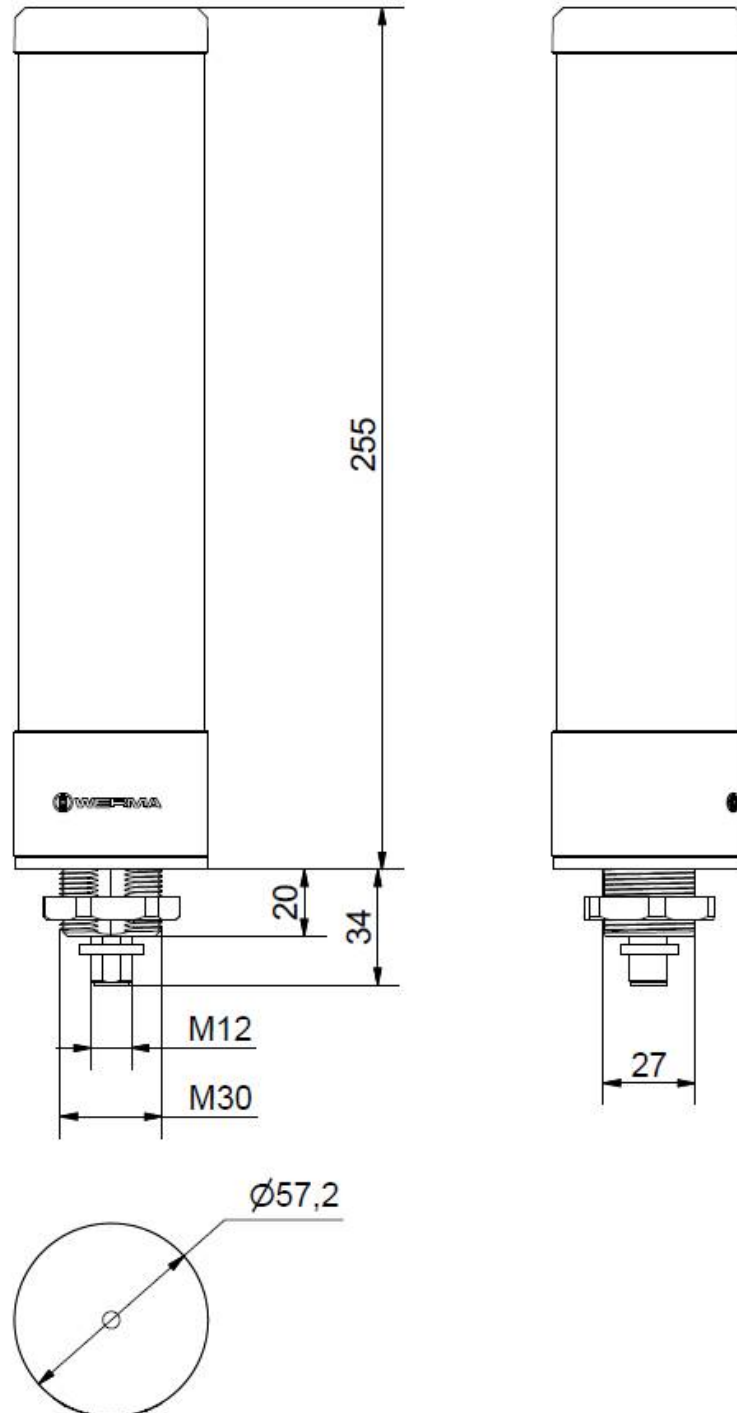
| <b>APPROVAL DATA</b>          |                       |
|-------------------------------|-----------------------|
| Conforms with CE              | Yes                   |
| Conforms with RoHS directive  | Yes                   |
| WEEE                          | Yes                   |
| Conforms with ATEX-directive  | No                    |
| Conforms with CCC-Ex          | No                    |
| Conforms with CCC             | No                    |
| Conforms with UL              | No                    |
| Conforms with FCC             | No                    |
| Conforms with IC              | No                    |
| EAC certificate available     | No                    |
| Conforms with UKCA (Importer) | Yes (WERMA (UK) Ltd.) |
| Conforms with CMIM            | No                    |
| Conforms with AS-I            | No                    |
| Conforms with DNV             | No                    |
| Conforms with RoHS CN         | 10 years              |
| Conforms with VdS             | No                    |



For additional installation and mounting information, refer to the appropriate user guide at [www.werma.com](http://www.werma.com). This printed copy is for information only and is subject to alteration.

Completely pre-assembled Signal Towers / RST 56  
**RST56 Built-In 24V WH/BU/GN/YE/RD/Buzzer**

**DRAWING**



For additional installation and mounting information, refer to the appropriate user guide at [www.werma.com](http://www.werma.com). This printed copy is for information only and is subject to alteration.