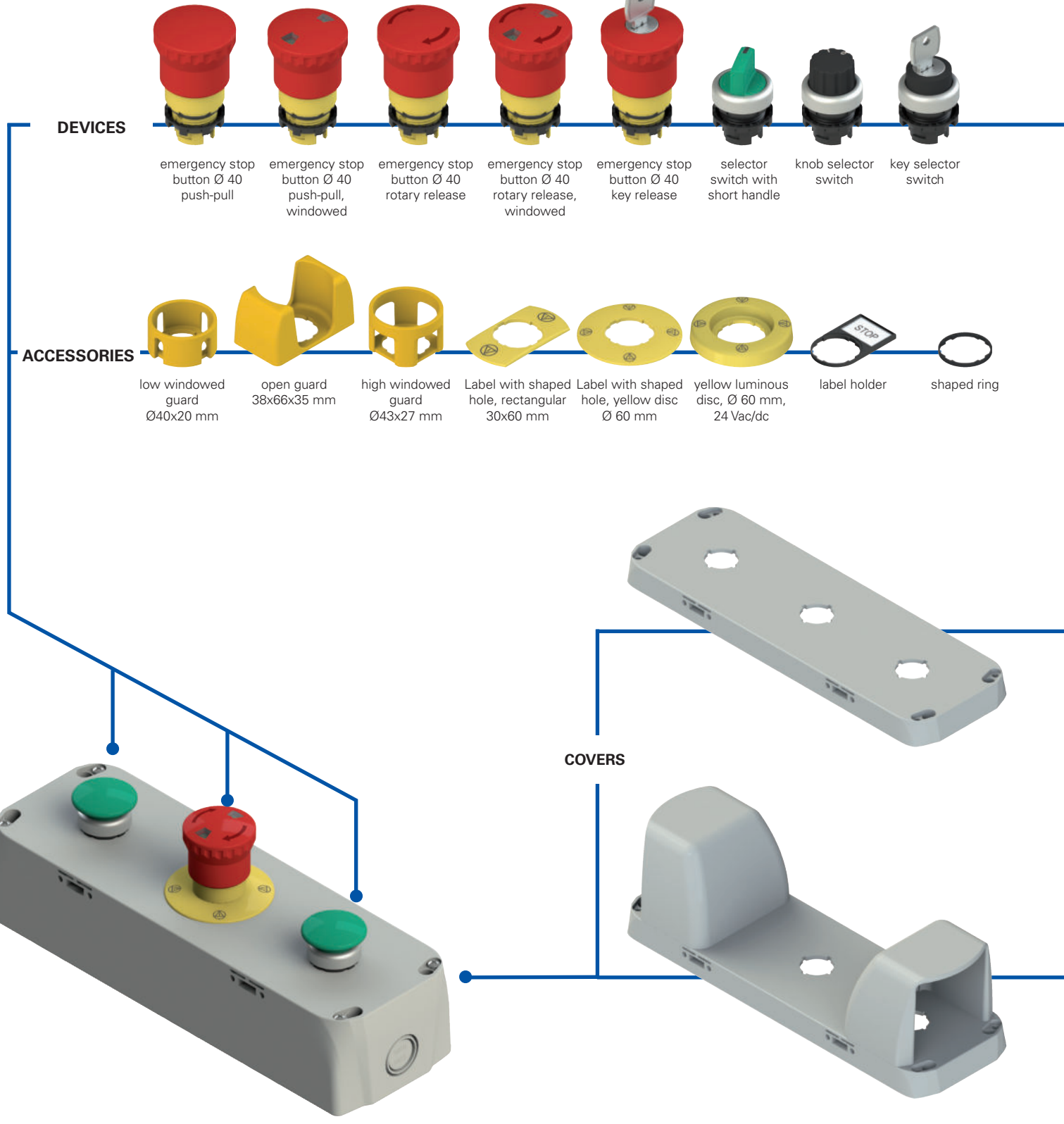
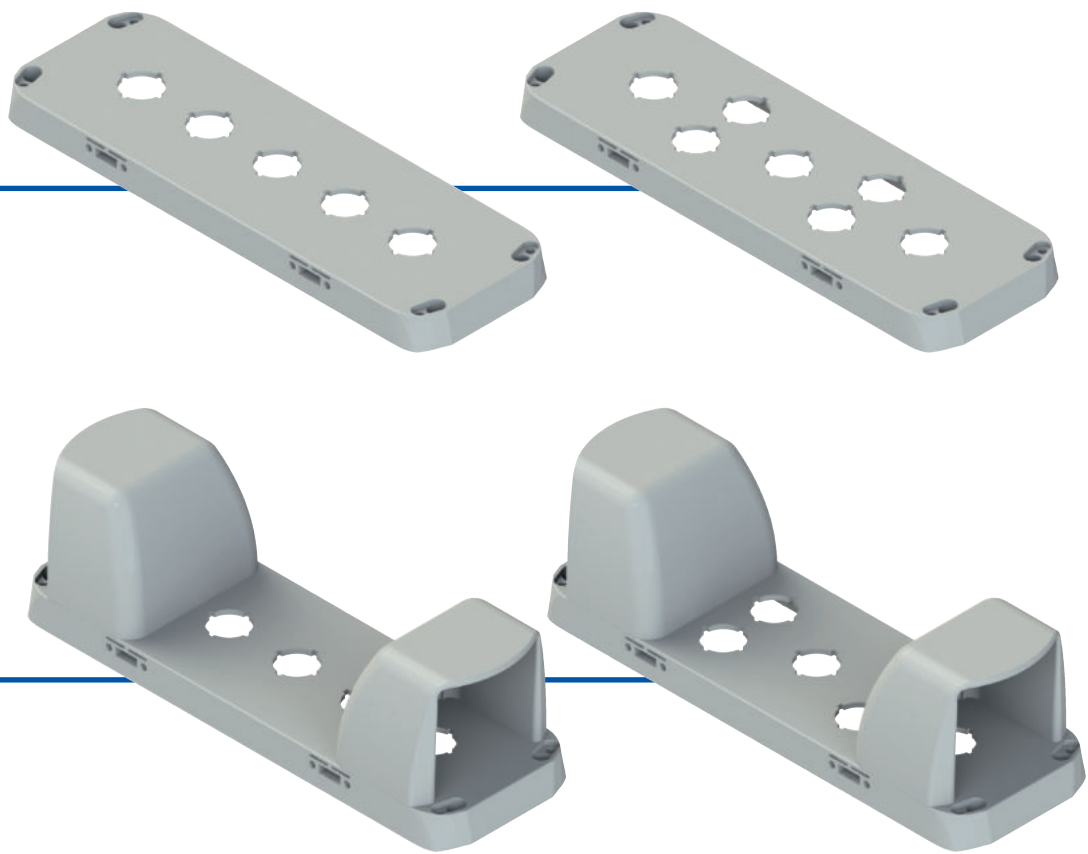


Selection diagram

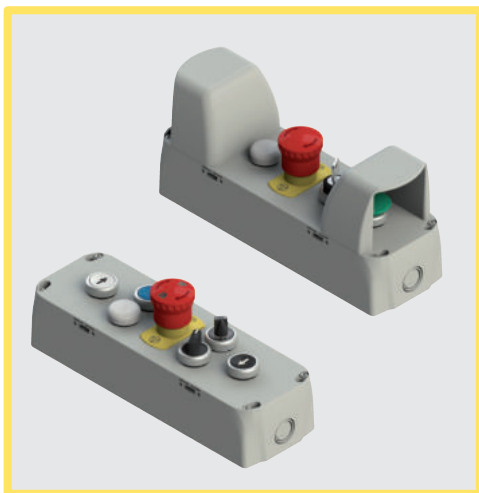




Code structure **Attention!** The feasibility of a code number does not mean the effective availability of a product. Please contact our sales office.

EA 37010

Body material	Configuration
3 polycarbonate PC (standard)	010 grey base, grey cover
Housing dimensions	...
7 280x90 mm	...



Main features

- Protection degree IP65
- Stainless steel captive screws
- 2 x side cable entries + 2 x bottom cable entries

Quality marks:



EAC approval:
UL approval:

RU C-IT.YT03.B.00035/19
E131787

Technical data

Housing

Material:	Self-extinguishing shock-proof polycarbonate with double insulation, UV-resistant and glass fibre reinforced, high shock resistance.
Material of the screws:	Stainless steel
Protection degree:	IP65 acc. to EN 60529 (with cable gland of equal or higher protection degree)
Conduit entries:	2 x M20 – M25 - 1/2 NPT knock-out side entries 2 x M20 – M25 - 1/2 NPT knock-out base entries
Device installation:	Suitable for the installation of Ø 22 mm control and signalling devices Ø 22 mm hole acc. to EN 60947-5-1
Utilization requirements:	see page 169

For a correct operation in compliance with standard EN ISO 13851, the two-hand controls must be connected to a safety module for two-hand control safety device CS DM●●●●●. See Pizzato Elettrica's General Catalogue Safety.

General data

Ambient temperature:	-40°C ... +80°C
Tightening torque of the cover screws:	1 ... 1.4 Nm

In compliance with standards:

IEC 60947-1, IEC 60947-5-1, EN ISO 13851, IEC 60204-1, EN 60947-1, EN 60947-5-1, EN 60204-1, EN IEC 63000.

Compliance with the requirements of:

Low Voltage Directive 2014/35/EU,
EMC Directive 2014/30/EU,
RoHS Directive 2011/65/EU.

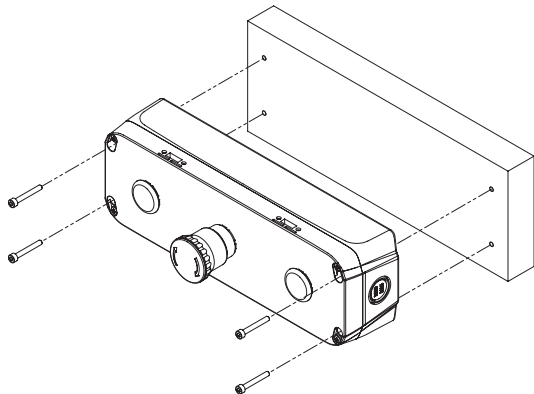
Features approved by UL

- The Tightening Torque value of cover screws: "Torque 1-1.4 Nm".
- The enclosed control box series ES and EA can be provided empty (without actuators and contact blocks) or equipped with actuators and contact blocks
- Empty version of Enclosed Control Stations ES and EA are already provided of holes for actuators
- Enclosed Control Stations ES and EA cannot be provided of mushroom actuators equipped with red head and yellow background
- Enclosed Control Stations ES and EA provided with yellow cover are not suitable for use with mushroom actuator with red head
- The Enclosed Control Stations ES and EA are suitable for conduit connection only
- For the enclosed control box series ES, the hub is to be connected to the conduit before the hub is connected to the enclosure
- For polymeric Enclosures that are intended for field assembly of the bonding means shall be located where visible during installation, such as inside the cover, and consist of the word "CAUTION" and the following or the equivalent: "Bonding between conduit connections is not automatic and must be provided as a part of the installation"; or the word "CAUTION" and the following or equivalent: "Nonmetallic enclosure does not provide grounding between conduit connection. Use grounding bushings and jumper wires".
- The maximum number of contact block for each hole of the Enclosed Control Stations ES and EA is 4
- The illuminated disk VE DL series as polymeric component assembled to Enclosed Control Stations ES and EA covers a hole of 5,5 mm diameter

General data

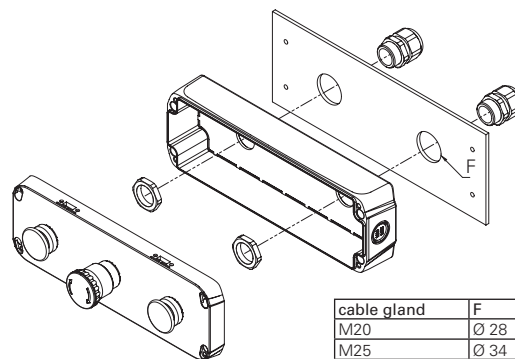
Fixing of EROUND housings

The new housings of the EROUND line by Pizzato Elettrica have 4 additional holes on the cover. The holes enable wall fixing from the outside by means of insertion of the screws, without the need to open the cover to access the holes.
The external fixing of the housing is therefore particularly suited for already wired enclosures.



Wiring through the lower surface

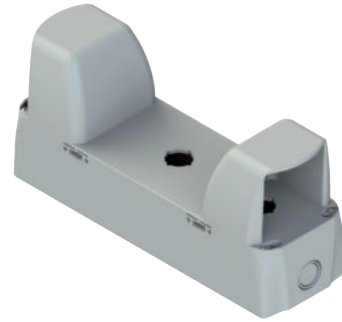
Housings have 2 conduit entries on the lower surface. Cables can be connected via this surface, hiding them from view.



Selection table for housings



Colour	Article	Ø 22 mm hole
 grey RAL 7035	EA 37014	3



Colour	Article	Ø 22 mm hole
 grey RAL 7035	EA 37015	3



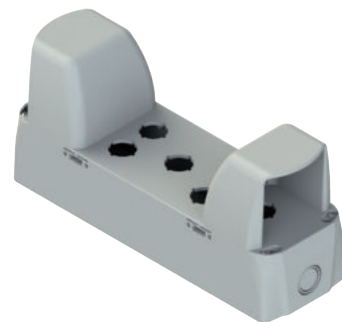
Colour	Article	Ø 22 mm hole
 grey RAL 7035	EA 37010	5



Colour	Article	Ø 22 mm hole
 grey RAL 7035	EA 37011	5



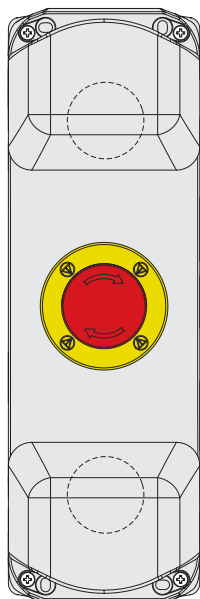
Colour	Article	Ø 22 mm hole
 grey RAL 7035	EA 37012	7



Colour	Article	Ø 22 mm hole
 grey RAL 7035	EA 37013	7

Complete control device units EA AC37***

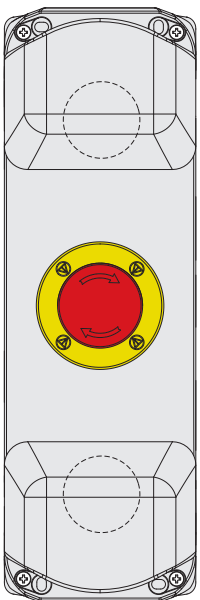
EA AC37040



Description	Features			Diagram
Mushroom button - 1NO E2 1PU2F4490 Guard VE GG3AA9A Contacts 1x E2 CP10G2V1	spring-return, green			
	pos. 2 /	pos. 3 1NO	pos. 1 /	
Emergency stop button Ø 40 - 1NC E2 1PERZ4531 Label VE TF32A5113 Contacts 1x E2 CP01G2V1	rotary release, 40 mm diameter, red			
	pos. 2 /	pos. 3 1NC ⊖	pos. 1 /	
Mushroom button - 1NO E2 1PU2F4490 Guard VE GG3AA9A Contacts 1x E2 CP10G2V1	spring-return, green			
	pos. 2 /	pos. 3 1NO	pos. 1 /	

For IIIA-cat. two-hand controls acc. to EN ISO 13851, combine with safety module or safety PLC.
See Pizzato Elettrica's General Catalogue Safety.

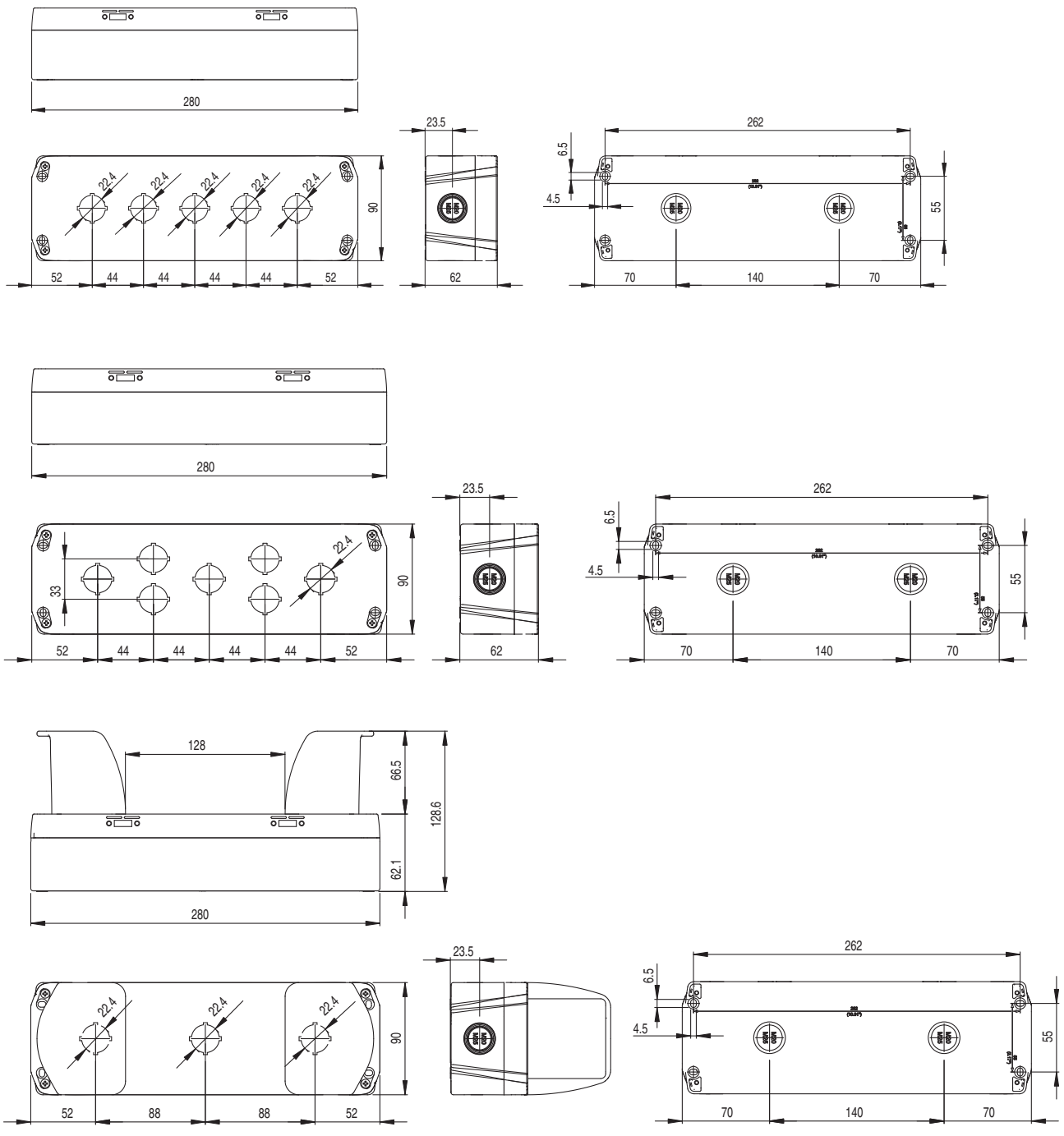
EA AC37041



Description	Features			Diagram
Mushroom button - 1NO+1NC E2 1PU2F4490 Guard VE GG3AA9A Contacts E2 CP10G2V1 + E2 CP01G2V1	spring-return, green			
	pos. 2 /	pos. 3 1NO	pos. 1 1NC ⊖	
Emergency stop button Ø 40 - 2NC E2 1PERZ4531 Label VE TF32A5113 Contacts 2x E2 CP01G2V1	rotary release, 40 mm diameter, red			
	pos. 2 1NC ⊖	pos. 3 /	pos. 1 1NC ⊖	
Mushroom button - 1NO+1NC E2 1PU2F4490 Guard VE GG3AA9A Contacts E2 CP10G2V1 + E2 CP01G2V1	spring-return, green			
	pos. 2 /	pos. 3 1NO	pos. 1 1NC ⊖	

For IIIC-cat. two-hand controls acc. to EN ISO 13851, combine with safety module or safety PLC.
See Pizzato Elettrica's General Catalogue Safety.

Dimensional drawings



All values in the drawings are in mm

→ The 2D and 3D files are available at www.pizzato.com