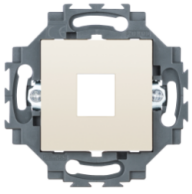


Product Data Sheet

GW35280Y

DAHLIA - Domestic range

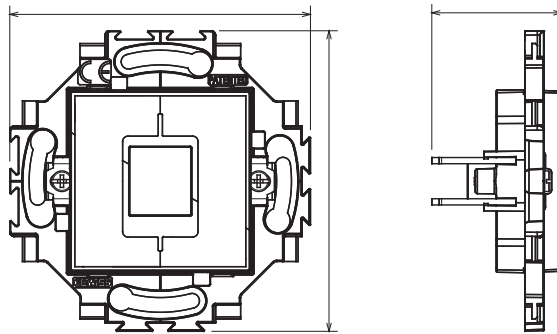


Residential series suitable for installations on round and square boxes, characterised by an elegant appearance and classic shapes. The plates, made of technopolymer in seven colours and with different modularities, from 1 to 5-gang, can be installed in both horizontal and vertical positions. The series, developed around a core of monobloc devices, is available in two colours: white and ivory, both with a glossy finish. Expandable with ChorusSmart modular devices.

Category	Adapter	Colour	Ivory
Material	Technopolymer	Finishing	Glossy
Compatibility	AMP / Keystone Jack	Fixing	With clutches/Screws
Glow wire test	650 °C	Thermo-pressure with ball	70 °C

DIMENSIONAL

t.92



TECHNICAL SYMBOLOGY

GWT



650 °C

70 °C

STANDARDS/APPROVALS

