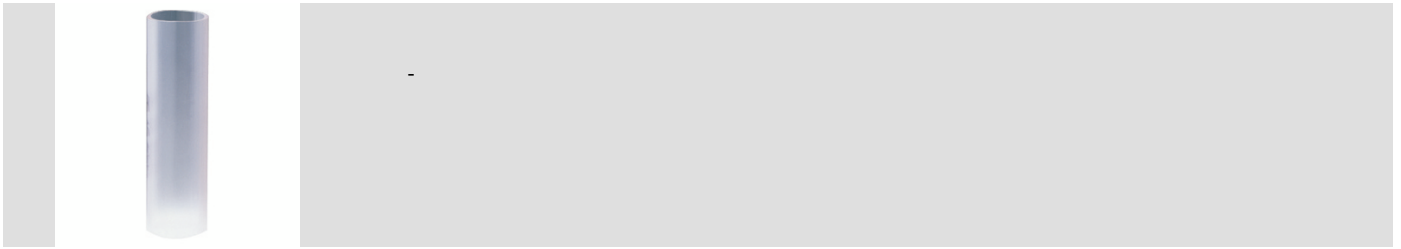


Product Data Sheet

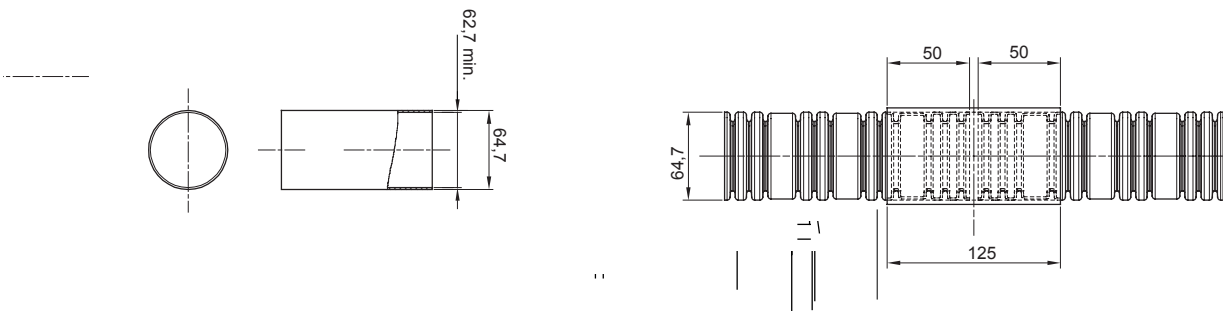
DX52063

FK Range



Colour	Transparent	Material	PVC
Conduits Ø (mm)	63	Electrocod	210

DIMENSIONAL



STANDARDS/APPROVALS

