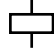
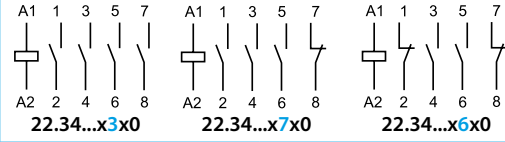


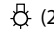
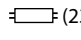





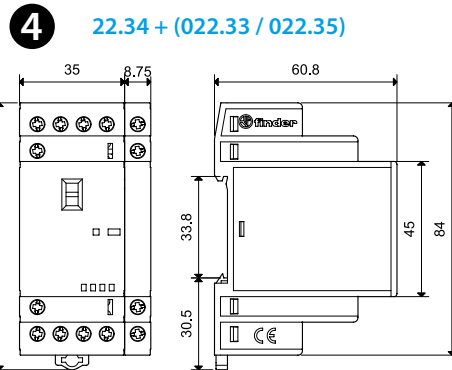
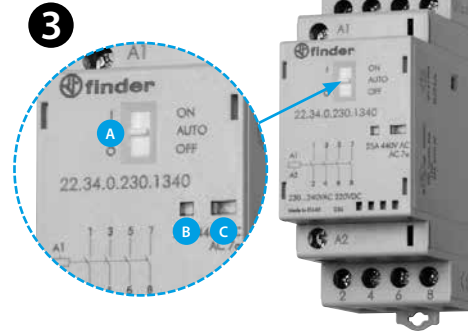
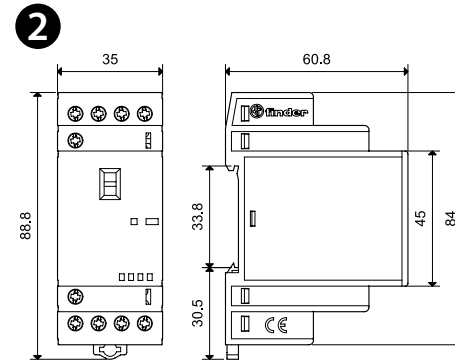
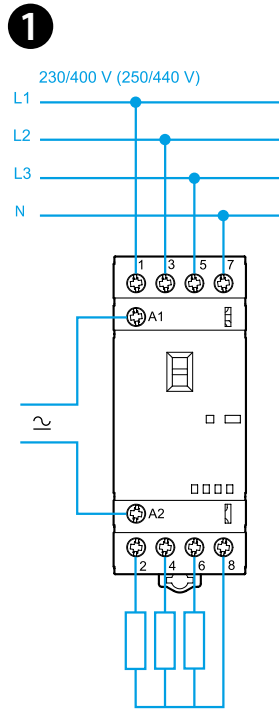
22.34


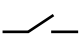
	22.34.0.XXX.xxx0 U _N (12 - 24 - 48 - 60 - 120 - 230)V AC (50/60 Hz) / DC U _{min} - U _{max} : (0.8...1.1)U _N P 2 VA (50 Hz) / 2.2 W
	A1 1 3 5 7 A1 1 3 5 7 A1 1 3 5 7 A2 2 4 6 8 A2 2 4 6 8 A2 2 4 6 8 22.34...x3x0 22.34...x7x0 22.34...x6x0
	25 A 440 V AC (EN 61095)
	AC1 / AC-7a (250 V AC) 6250 VA
	AC3 / AC-7b 10 A
	AC15 (230 V AC) 1800 VA
	(M) (400 - 440 V AC) 4 kW
	AC - 7c 10 A (22.34...4xx0)
	(230 V AC) 800 W 2000 W (22.34...4xx0)
	(230 V AC) 300 W 800 W (22.34...4xx0)
	CFL - LED 100 W 200 W (22.34...4xx0)
	(-20...+50)°C
	IP20



- Open Type Device - Pollution degree 2 Installation Environment
- Maximum Surrounding Air Temperature 50°C
- Minimum distance among modular contactors 9 mm
- Field Wiring Terminals:
Use 60/75°C copper conductor only and wire ranges
No. 10-12-18-24 AWG, Solid only
Terminal tightening torque 7.0 lb.in. (0.8 Nm)
- Suitable for use on a circuit capable of delivering not more than 5000 ARMS Symmetrical, 240 V AC, when protected by Listed Cartridge Fuses, rated K5 Class (No Current Limiting, Non-Time Delay, max 600 V AC, 30 A, 50 kA A.I.C.) or RK5 Class (Current Limiting, Time Delay, max 600 Vac, 15 A, 50 kA A.I.C.) or equivalent.
- For use in a circuit protected by Type1 or Type2 Surge Protective Devices with "Max Voltage Protection" rating of 3.7 kVpk and "Minimum Nominal Discharge Current" of 5 kA (at 6 kV).

Utility Model - IB2234001 - 01/21 - Finder S.p.A. con unico socio - 10040 ALMESE (TO) - ITALY



	13 23 14 24	13 21 14 22
	022.33	022.35
	022.33	2 NO (DPST-NO)
	022.35	1 NO (SPST-NO) + 1NC (SPST-NC)
	AC1	6 A
	AC15(230 V AC)	700 VA

ENGLISH

22.34 MODULAR CONTACTOR 25 A

Contact gap ≥ 3 mm for NO contacts only. NC contacts ≥ 1.5 mm.
Compliant with EN 61095: 2009.
AC/DC silent coil (with varistor protection).

1 CONNECTION DIAGRAM

2 OUTLINE DRAWINGS

3 FRONT VIEW

A = Selector (22.34.0.xxx.xx40)

The three-position manual selector has the following functions:

ON position

The contacts are latched in the operated state (NO contacts - closed and NC contacts - open), the mechanical indicator is visible in its window, the LED is not illuminated.

AUTO position

The state of contacts, mechanical indicator and LED follow the coil supply voltage.

OFF position

Even if terminals A1 - A2 are supplied with rated voltage, the coil is not energized, and so the contacts remain in the non-operated state, the mechanical indicator is not visible and the LED is not illuminated.

B = LED

C = Mechanical indicator

4 ACCESSORIES

Auxiliary contact module available, "Quick assembly" with the main contactor 022.33/022.35.

OTHER DATA

It is suggested an air gap of 9 mm between adjacent relays for installations and working conditions close to the limit (that is, ambient temperature > 40 °C, coil operated for a prolonged period of time, all contacts loaded with current > 20 A).