



Flush-mounting compact camera

391647 - 391648
391649 - 391651
391652 - 391653

Description

Flush-mounting compact colour camera. Flush mounted or wall installation using the dedicated accessories of the AXOLUTE, LIVING, LIGHT, LIGHT TECH residential series. Accessory for the wiring of the coaxial cable supplied. Power supply: 12 Vdc.

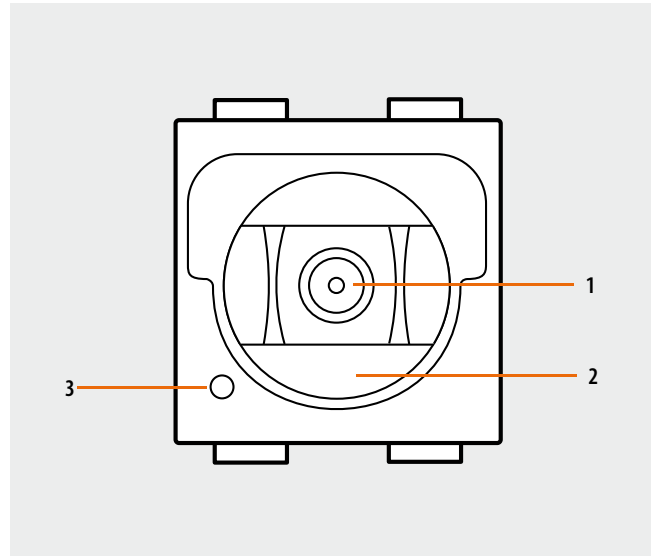
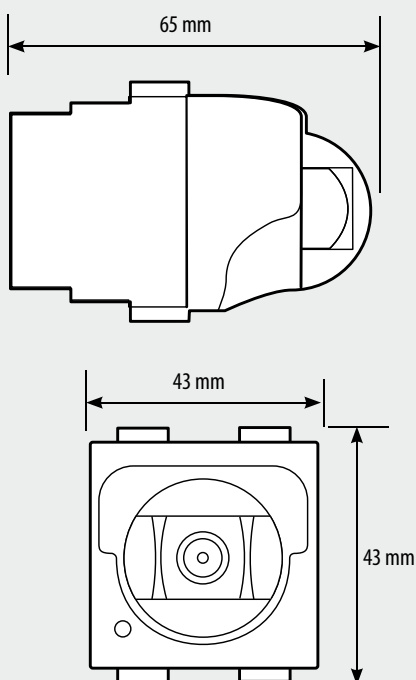
Related items

The camera must be completed with the accessories and the front cover plates of the AXOLUTE, LIVING, LIGHT, LIGHT TECH residential series. Refer to the corresponding catalogues.

Technical data

Sensor:	1/3" colour CCD
Optics:	3.7 mm (semi pin hole)
Interlaced:	2:1
Scanning standard:	CCIR
Horizontal frequency:	15625 Hz
Vertical frequency:	50 Hz
Image elements:	537 (H) x 597 (V)
Horizontal resolution:	380 TV lines
Video output:	CVBS 1 Vpp 10% su 75 Ohm, PAL compatible
Minimum illumination:	5 lux
Operating temperature:	5 - 40 °C
Power supply:	12 Vdc
Absorption:	120 mA

Dimensional data



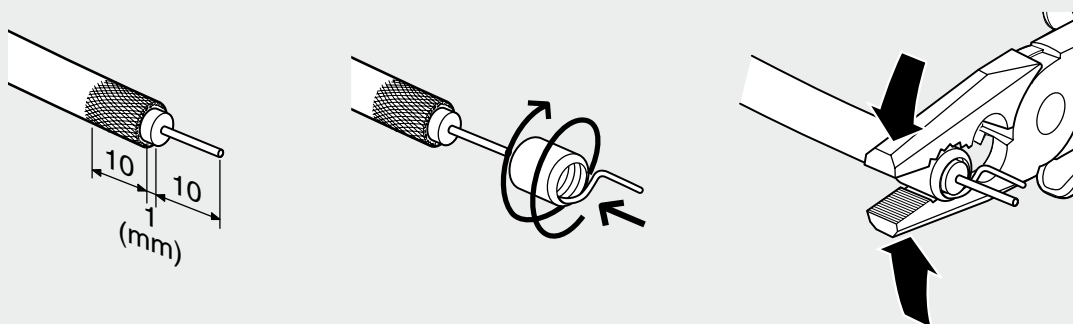
Legend

1. Integrated optics
2. Lens orientation adjustment: $\pm 30^\circ$ vertical axis
 $\pm 25^\circ$ horizontal axis
3. Microphone (PRESETTING - NOT OPERATING)

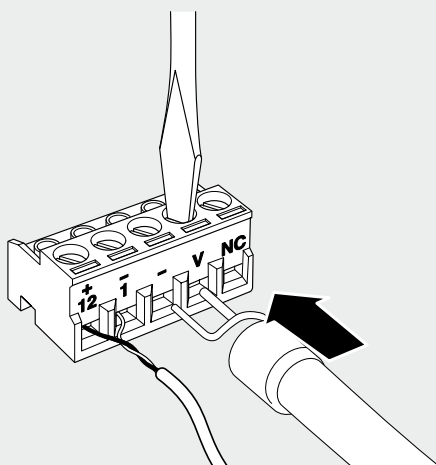
391647 - 391648
391649 - 391651
391652 - 391653

Connection and installation

Coaxial cable accessory wiring



Wiring of the coaxial cable and the pair using the green clamp



Clamp connection on the back of the camera

