



PL-S Blacklight Blue

PL-S 9W BLB/4P 1CT/6X10CC

PL-S Blacklight Blue is a special low-wattage compact fluorescent lamp emitting long wave UV radiation for detection and analysis purposes in archaeology, money checking, forensic science, food industry, medicine, mineralogy, philately as well for special effects in night clubs, discos, theatres and sign lighting. The 2-pin version is designed for operation on electromagnetic gear, the 4-pin version is designed for operation on electronic gear. Both versions are provided with a plug-in/pull-out lamp base.

Warnings and Safety

- A lamp breaking is extremely unlikely to have any impact on your health. If a lamp breaks, ventilate the room for 30 minutes and remove the parts, preferably with gloves. Put them in a sealed plastic bag and take it to your local waste facilities for recycling. Do not use a vacuum cleaner.

Product data

General Information	
Cap-Base	2G7 [2G7]

Light Technical	
Color Code	108 [08 lead free glass]
Color Designation	Blacklight Blue

Operating and Electrical	
Power Consumption	8.6 W
Lamp Current (Nom)	0.17 A
Voltage (Nom)	60 V
Voltage (Nom)	60 V

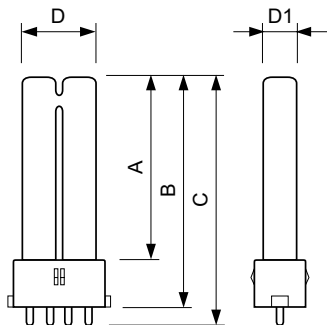
Mechanical and Housing	
Bulb Shape	2XT12

Approval and Application	
Mercury (Hg) Content (Nom)	3.0 mg

Product Data	
Full product code	871150095093280
Order product name	PL-S 9W BLB/4P 1CT/6X10CC
Order code	927901910807
Numerator - Quantity Per Pack	1
Numerator - Packs per outer box	60
Material number (12NC)	927901910807
Full product name	PL-S 9W BLB/4P 1CT/6X10CC
EAN/UPC - Case	8711500950956

PL-S Blacklight Blue

Dimensional drawing



Product	D1 (max)	B (max)
PL-S 9W BLB/4P 1CT/6X10CC	13.0 mm	145.0 mm

