

### Safety Information

Electrical equipment should be installed, operated, serviced, and maintained only by qualified personnel. No responsibility is assumed by Schneider Electric for any consequences arising out of the use of this material.



### Esmi Impresia Zone Module

Esmi Impresia Zone Module (FFS06741006) is an addressable conventional zone module, designed for installing in addressable fire alarm systems with Esmi ELC loop controller supporting Schneider Electric communication protocol. The module monitors the state of connected conventional fire line and reports for its status to the control panel. It is designed with built-in isolator module according the requirements of EN54-17. The module is mounted in a separate plastic box suitable for wall mounting with IP55 protection and possible for outdoor installations. It monitors the state of the connected conventional fire line and reports for its status to the control panel. The address setting is done by the panel, QR code or handheld addressing device. The address range is 1-250.

For more technical information visit [www.se.com](http://www.se.com).

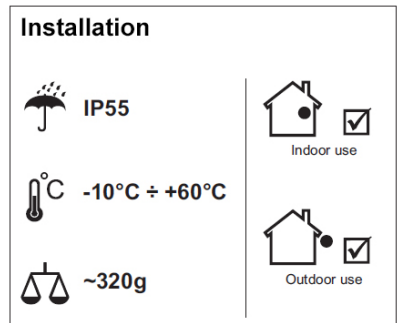
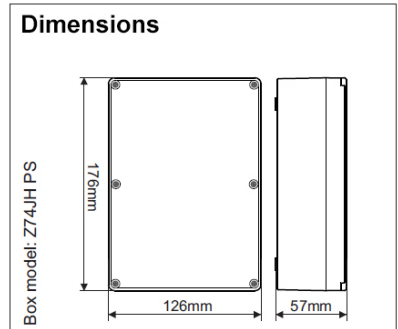
### Installation

**Note: Collect the QR code stickers from the devices if QR codes are used for addressing of the devices.**

1. Follow the applicable local and national installation codes and regulations. Choose the proper place for installation of the module.
2. Turn the power off the loop circuit before installing the zone module!
3. Set the module address using programmer or directly from addressable fire panel.
4. Run the wires to the module terminals.
5. Connect the wires to the terminals of the module according the shown example connection diagram.
6. Test the module for proper operation and LED indication.
7. Close the cover of the plastic box.

### Technical Specifications

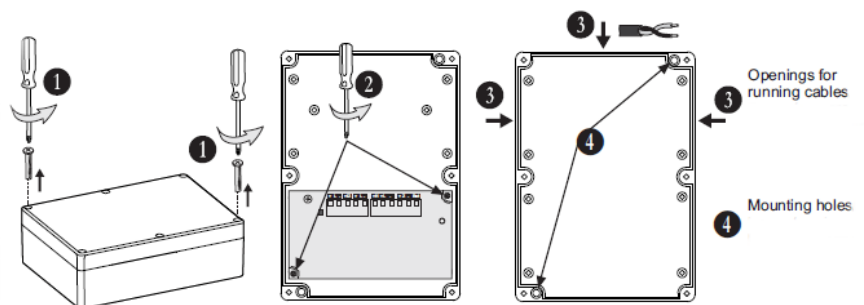
Operating voltage	16 ÷ 32 VDC
Permissible voltage ripple	3.0Vpp@27VDC
External power supply of the zone	17 ÷ 32 VDC
Max. current consumption with external power supply of the zone	150µA@27VDC
Max. current consumption with loop power supply (STAND-BY mode)	5.5mA
Current consumption with 1 LED ON	3mA
Max. current consumption of the detectors in ALARM mode (internal limitation):	
- when the zone is powered from "+L" terminal of the loop	20mA
- when the zone is powered from "+H" terminal of the loop	50mA
Max. cross-section of the cable	2.5mm <sup>2</sup>
Max. number of conventional detectors in one zone	32
Relative humidity	≤93% @ +40°C
Material (plastic)	PS
Color	Grey
Supported communication protocol	Esmi ELC



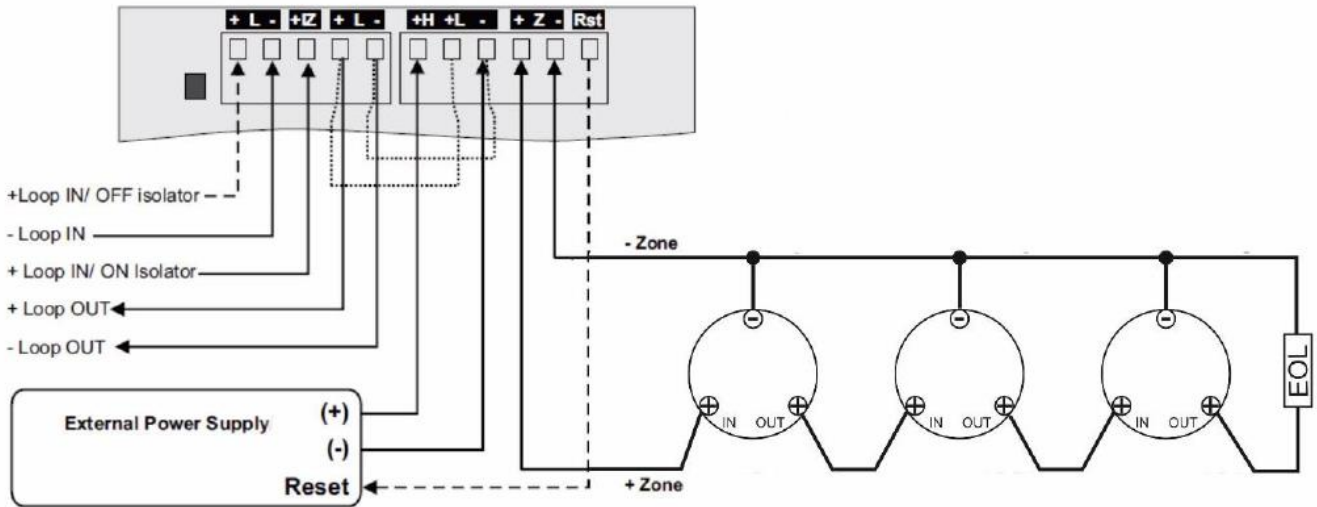
1293
   
 DoP No: DP20022
   
 Made in Bulgaria
   
 EN 54-18:2005
   
 EN 54-18:2005/AC:2007
   
 EN 54-17:2005
   
 EN 54-17:2005/AC:2007

### LED Description

In normal operation mode the **red LED** blinks at every communication between the module and the fire panel. In FIRE ALARM situation the red LED light on permanently.



Connection Diagram



Description of the terminals (read from left to right)

**+L (+Loop IN/ OFF Isolator)\*** - Connect the positive wire of the input communication line, in cases when the internal isolator module (built-in in Esmi Impresia Zone module) is not used.

**-L (-Loop IN)\*\*** - Connect the negative wire of the input communication line, not depend on using the internal isolator.

**+IZ (+Loop IN/ ON Isolator)** - Connect the positive wire of the input communication line, in cases when the internal isolator module (built-in in Esmi Impresia Zone Module) is used.

**+L (+Loop OUT)\*** - Connect the positive wire of the output communication line.

**-L (-Loop OUT)\*\*** - Connect the negative wire of the output communication line.

**+H (Power Zone Hi current)** - Input for power supply of the zone (external power supply). The max. allowed current consumption in the conventional zone is 50mA.

**+L (Power Zone Low current)** - Input for power supply of the zone (directly from the addressable loop). The max. allowed current consumption in the conventional zone is 20mA.

**+Z (+Zone) and -Z (-Zone)** - Inputs for connecting the positive and negative zone wires  
**Rst (Reset OUT)** - OC (open collector) type output. Used to Reset of the external power supply of the zone (if the device has this option).

\* The terminals **+L (+Loop IN/ OFF Isolator)** and **+L (+Loop OUT)** are connected together.

\*\* The terminals **-L (-Loop IN)** and **-L (-Loop OUT)** are connected together.

INPUT Status	LED Red	LED Yellow
Fire alarm	■ + □ Inverted	□
Normal state	□	□
Fault: Short circuit	□	■
Fault: Open circuit	□	■
Power supply fault	□	■
Communication error	□	■
Detector removed form the base	□	■
Activation of the internal isolator	□	□

Legend:

■ - LED lights on

□ - LED lights off

□ - LED blinking