

AndonSPEED / Andon product

## Andon SmartBOX BWM 115-230VAC BK



Part No.: 860.000.09



### MECHANICAL DATA

Length	92 mm
Width	32 mm
Height	160 mm
Materials	PA-GF
Housing colour	Black
Protection category	IP30
Connection	Special version
cross-sectional area minimum	0,34mm <sup>2</sup> / 22AWG
cross-sectional area maximum	1,00mm <sup>2</sup> / 18AWG
Cable length	5000 mm
Tension relief	Present (conforms to VDE)
Type of fixing	Base mounting Wall mounting
Working temperature minimum	0°C
Working temperature maximum	+40°C
Weight with packaging	647 g
Product weight	570 g

### ELECTRICAL DATA

Operating voltage	115-230V
Operating voltage type	AC
Operating voltage frequency	50Hz at 230V 60Hz at 115V
Operating voltage tolerance	+/- 10%
Rated operational voltage	230 VAC
Rated operational current	1000 mA
Protection class	Protection class 2
Pollution degree	2
Oversvoltage category	II
Isolation voltage	Ui = 250V; Uimp = 2.500V

### OPTICAL DATA

Service life optical	5,000 h minimum
----------------------	-----------------

### APPROVAL DATA

Conforms with CE	Yes
Conforms with RoHS directive	Yes
WEEE	Yes
Conforms with ATEX-directive	No
Conforms with CCC	No



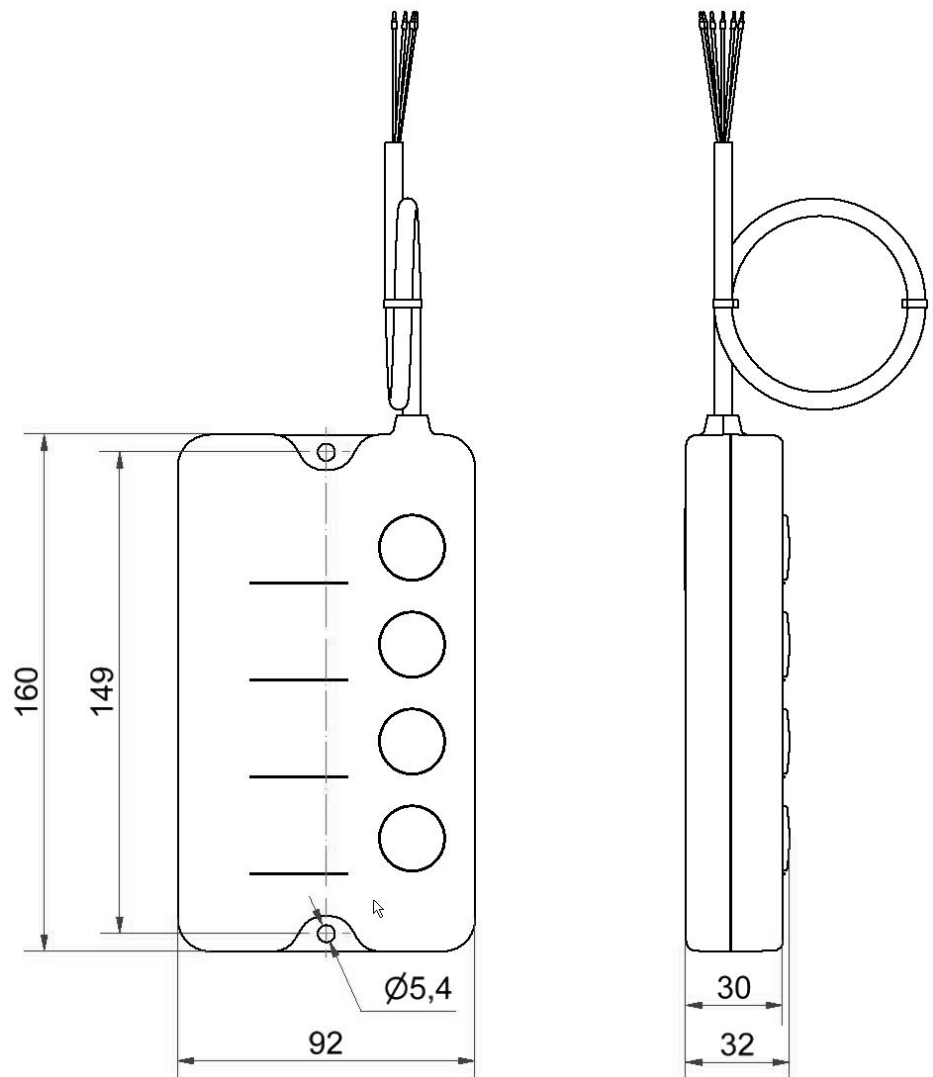
For additional installation and mounting information, refer to the appropriate user guide at [www.werma.com](http://www.werma.com). This printed copy is for information only and is subject to alteration.

AndonSPEED / Andon product

**Andon SmartBOX BWM 115-230VAC BK**

Conforms with UL	cRUus
Conforms with FCC	No
Conforms with IC	No
EAC certificate available	Yes
Conforms with UKCA (Importer)	Yes (WERMA (UK) Ltd.)
Conforms with AS-I	No
ICAO Certification	No
Conforms with DNV	No
Conforms with RoHS CN	No
Conforms with VdS	No

**DRAWING**



! For additional installation and mounting information, refer to the appropriate user guide at [www.werma.com](http://www.werma.com). This printed copy is for information only and is subject to alteration.