


| | | |
|---------------------------|---------------------------------|---|
| 70250214 | DATA SHEET |  |
| Valid from: 13.05.2019 | EPIC® ULTRA H-B 16 TS QB | |

Description

- Housing H-B ULTRA: For more reliability
- Optimal, low resistance 360° screening
- EPIC® ULTRA housings are universally applicable due to their high corrosion resistance and high protection against environmental influences. Space-saving due to compact dimensions
- High mechanical resistance
- Puggable with standard-housing



General Characteristics

| | |
|---|-------------------------------|
| Series | ULTRA H-B 16 |
| Model | Hood |
| Cable entry | 1x lateral |
| Cable gland | Yes |
| Clamping range | See table |
| Screen contacting | BRUSH (optional, see table) |
| Diameter above cable braiding (only BRUSH) | min. 6 mm |
| Locking | Bolts for double lever |
| Protection (DIN EN 60529) | IP 68 (mated and latched) |
| Protection (NEMA 250/UL50E) | 4, 4X, 12 (mated and latched) |
| Temperature range | -40°C to +100°C |

Materials / Surfaces

| | |
|-------------|---------------------------|
| Housing | Zinc alloy, nickel-plated |
| Locking | Stainless steel |
| Cable gland | Brass, nickel-plated |
| Insert | PA |
| Seal ring | CR |


Standards

| | |
|-------------------------------|--|
| Safety standards | IEC 61984 |
| Product features according to | DIN EN 6988 |
| | DIN EN ISO 9227, method NSS, duration 480h |
| | DIN EN 60068-2-52, severity level 2 |

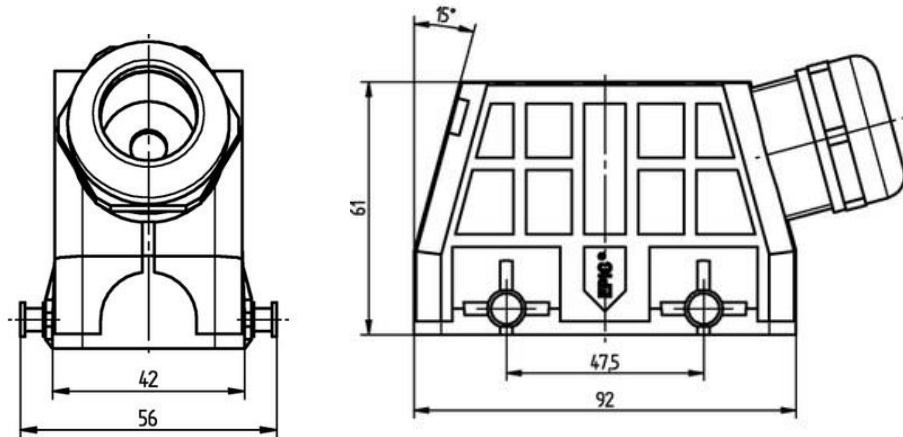
Versions

| Article number | Article description | Clamping range | BRUSH |
|----------------|--------------------------------------|----------------|-------|
| 70250214 | EPIC® ULTRA H-B 16 TS QB 7-15 | 7 - 15 mm | No |
| 70250264 | EPIC® ULTRA H-B 16 TS QB 7-15 BRUSH | 7 - 15 mm | Yes |
| 70250215 | EPIC® ULTRA H-B 16 TS QB 11-21 | 11 - 21 mm | No |
| 70250216 | EPIC® ULTRA H-B 16 TS QB 11-21 BRUSH | 11 - 21 mm | Yes |

| | | |
|---|---------------------------------------|-------------|
| Creator: BEGE1/PDP Released: IVSE1/PDP | Document: DB70250214EN Version: 02 | Page 1 of 2 |
|---|---------------------------------------|-------------|

| | | |
|---------------------------|---------------------------------|---|
| 70250214 | DATA SHEET |  |
| Valid from: 13.05.2019 | EPIC® ULTRA H-B 16 TS QB | |

Technical Drawings



Good chemical resistance



Required space



Large clamping range



Robust



Corrosion resistant



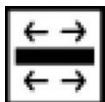
SKINTOP® Integrated Cable Gland



Installation time



Connectors with standart housing



Optimal strain relief



Waterproof

Info

EMC protection, corrosion-resistant, integrated SKINTOP® cable gland

Application range

In EMC-sensitive environments, for fixed and flexible applications (e.g. machiner, wind turbines), construction machinery, electric motor manufacturing

Remark

Photographs are not to scale and do not represent detailed images of the respective products.

| | | |
|---|---------------------------------------|-------------|
| Creator: BEGE1/PDP Released: IVSE1/PDP | Document: DB70250214EN Version: 02 | Page 2 of 2 |
|---|---------------------------------------|-------------|