

Esmi Impresia Relay Output Module 240V

Instruction Sheet
R10210GB0



Schneider Electric Fire & Security Oy

Sokerilinnantie 11 C
FI-02600 Espoo, Finland
Tel: +358 10 446 511
Website: www.se.com
Document number: R10210GB0
Published: 18.12.2020

© 2020 – Schneider Electric. All Rights Reserved. This information is only to be used as guidance. Subject to changes and errors.


1 Esmi Impresia Relay Output Module 240V

Esmi Impresia Relay Output Module 240V (FFS06741020) is an electrical main switching relay output control module designed for installing in addressable fire alarm systems with Esmi ELC loop controller supporting Schneider Electric communication protocol. The module provides interface for 240V and it is suitable for control of 240VAC voltage circuits. The module is mounted in a separate small plastic box suitable for wall mounting and IP55 protection.

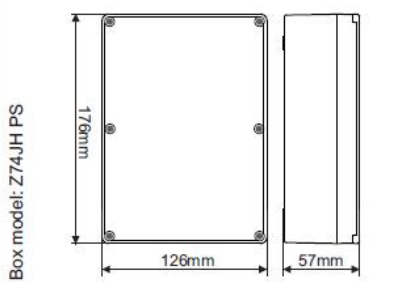
Esmi Impresia Relay Output Module 240V is designed according the requirements of EN54-18 and EN54-17.

The module provides interface for 240V and it is suitable for control of 240VAC voltage circuits.

The address setting is done by the panel or handheld addressing device.
The address range is 1-250.








 DOP: DP20036
 Made in Bulgaria
 EN 54-18:2005
 EN 54-18:2005/AC:2007
 EN 54-17:2005
 EN 54-17:2005/AC:2007

! Dimensions



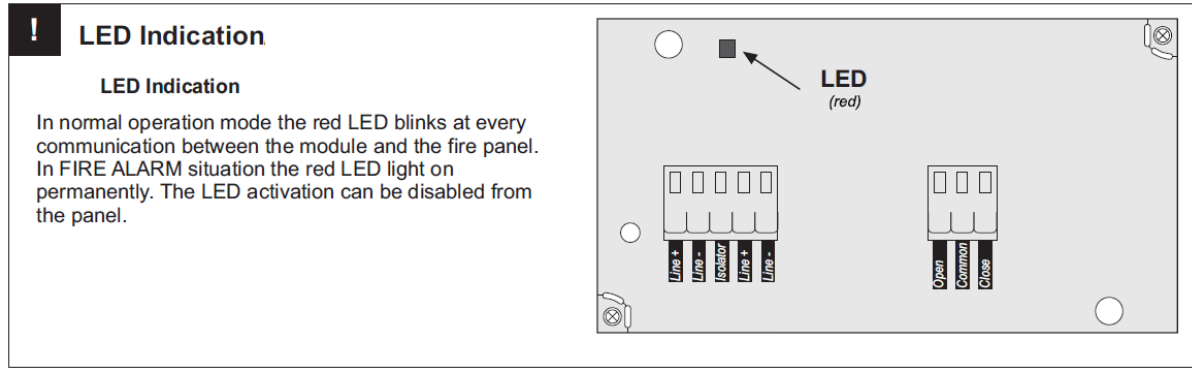
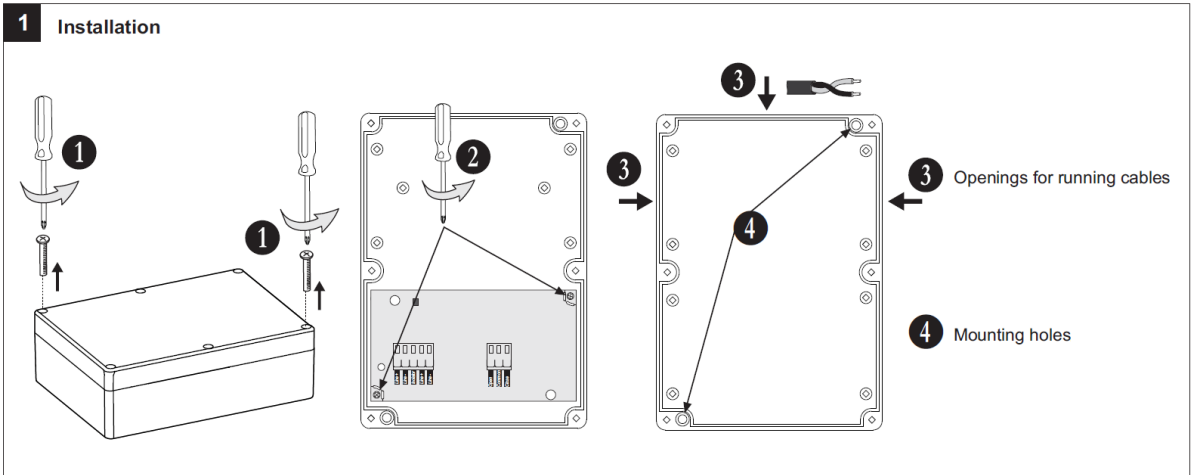
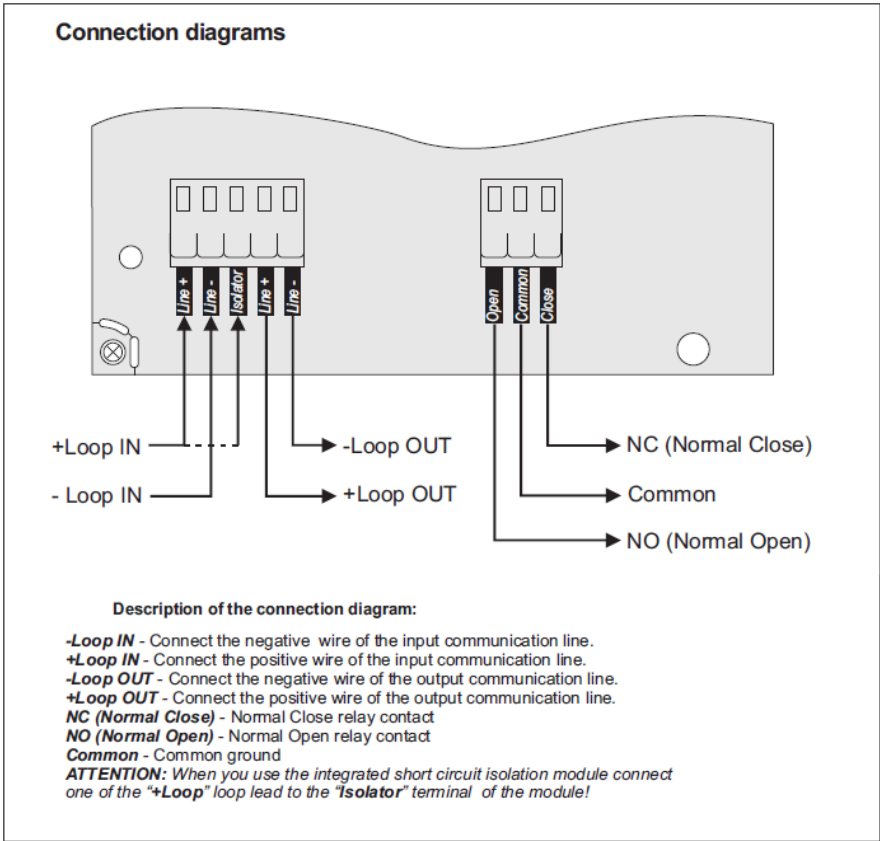
Box model: Z74JH PS

! Installation

 IP55	 Indoor use <input checked="" type="checkbox"/>  Outdoor use <input checked="" type="checkbox"/>
 -10°C ÷ +60°C	
 ~320g	
 2.5mm ²	

1.1 Wiring

**** Note: Switches from open to closed**
*** Note: Switches from closed to open**



1.1.1 LED Indication

In normal operation mode the red LED blinks at every communication between the module and the fire panel. In FIRE ALARM situation the red LED light on permanently. The LED activation can be disabled from the panel.

1.1.2 Description of the connection diagram

-Loop IN - Connect the negative wire of the input communication line.

+Loop IN - Connect the positive wire of the input communication line.

-Loop OUT - Connect the negative wire of the output communication line.

+Loop OUT - Connect the positive wire of the output communication line.

NC (Normal Close) - Normal Close relay contact

NO (Normal Open) - Normal Open relay contact

Common - Common ground

ATTENTION: When you use the integrated short circuit isolation module connect one of the **+Loop** loop lead to the **"Isolator"** terminal of the module!

1.2 Installation

Attention: Turn power off the loop circuit before installing the module!

1. Choose the proper place for installation of the device.
2. Set the module address using programmer or directly from addressable fire panel.
3. Run the wires to the module terminals.
4. Connect the wires of the loop circuit according the shown connection diagram.
5. Connect the wires of the relay circuit according the shown connection diagram.
6. Test the module for proper operation and LED indication.
7. Close the cover of the plastic box.

Esmi Impresia Relay Output Module 240V is designed according the requirements of EN54-18 and EN54-17.