

THORGEON

TIMERS

DIGITAL ASTRONOMICAL TIME SWITCH 18005



Scan me

www.thorgeon.com/18005

Manufactured in PRC

 thorgeon



18005 astronomical time switch automatically turn ON/OFF at the preset longitude and latitude, time zone. You don't need to adjust your timer to keep up with changing sunrise/sunset times.

Application

18005 fits for the particular use of the following tasks: Illumination of private and industrial areas, street and shop-window lightening, regulation of air conditioning, flushing, motors, pumps, plants and machinery as well as to simulate presence etc.

THORGEON



www.thorgeon.com

SIA "ATTA-1", Daugavgrivas street 77,
Riga, Latvia, LV-1007



4751029899385
Developed in Latvia

Description

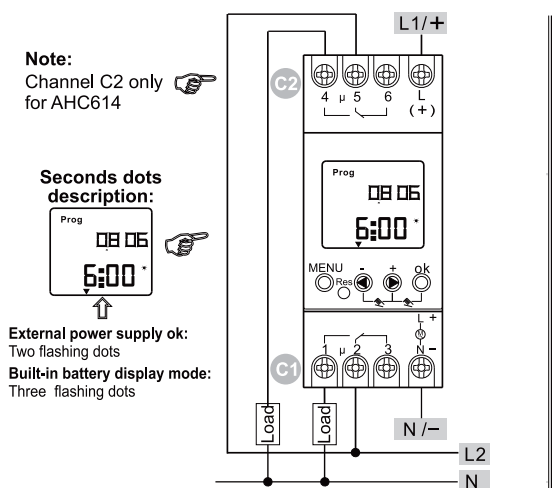
Built-in calendar: 2019 - 2049 years.	Built-in lithium battery, keep working when power failure.
Longitude / latitude time zone settings	DIN35mm standard rails.
ON/OFF time can follow with sunrise and sunset time.	LCD Backlight LED (Only for suffix L production)
View the rising and sunset times of the day.	Longitude range: East / West 0 ~ 180°
16 group of program settings.	Latitude range: South / North 0 ~ 68 °
6 Holiday settings.	Time zone range: +/-12H
EU(Europe), Manual Daylight Saving Time.	

Technical data

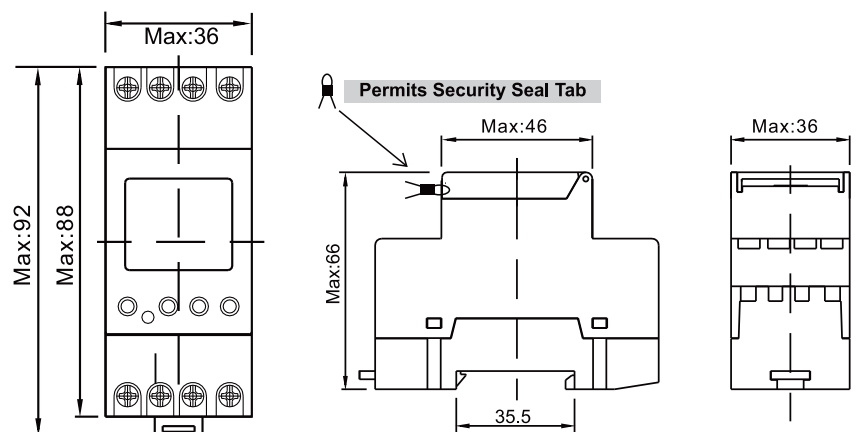
Rated voltage	12/24/48V AC&DC, 220VAC
Voltage range	-15/+10%
Frequency	50 to 60Hz
Number of Chnnels	2
Programs memory locations	C1/16+C2/16 groups
Resistive Load cosΦ=1.0	2x16A(250VAC)
Inductive Load cosΦ=0.6	2x10A(250VAC)
Max. Power Consumption	≤7.5VA
Terminal Load	Incandescent/halogen Lamp ≤2300W
	Energy saving lamps ≤170W
Shortest Switching Time	1 minute
Ambient Temperature	-10 to +50°C(Non-icing)
Ambient humidity	35~85%RH
Accuracy	<±2sec./day at 25°C
Power failure memory	4 years
Electrical life	10 ⁵ times
Mechanical life	10 ⁷ times
Weight	About 160g



Wiring diagram



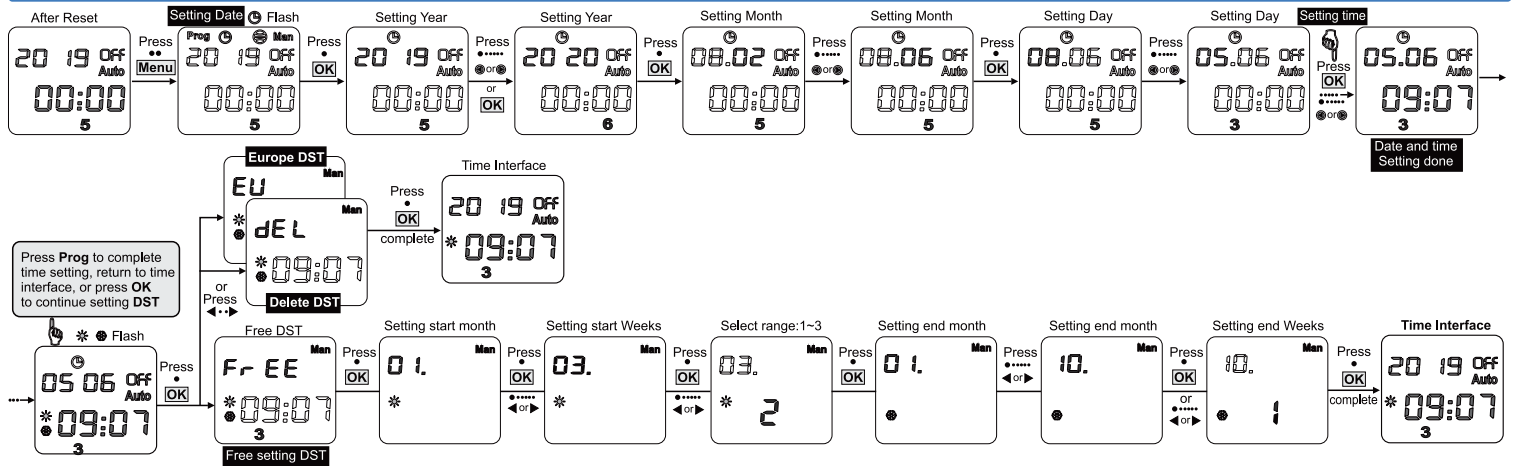
Dimension drawings



Product setting instructions:

1. The Timer is at off state before delivery, press the **Res** button on the interface to open the product display at the first time.
2. Press **Menu** and **3** seconds, the timer will shut down and all programs and settings will be cleared.
3. If there is no operation for 30 seconds during the setting process, the current setting parameters will not be retained.

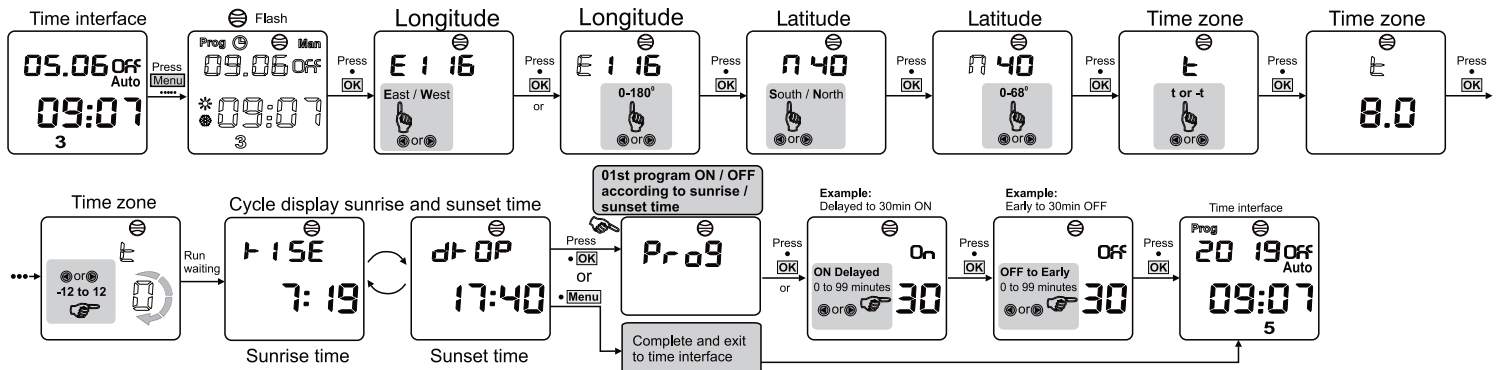
1. Date, Time and DST (Daylight Saving Time) setting:



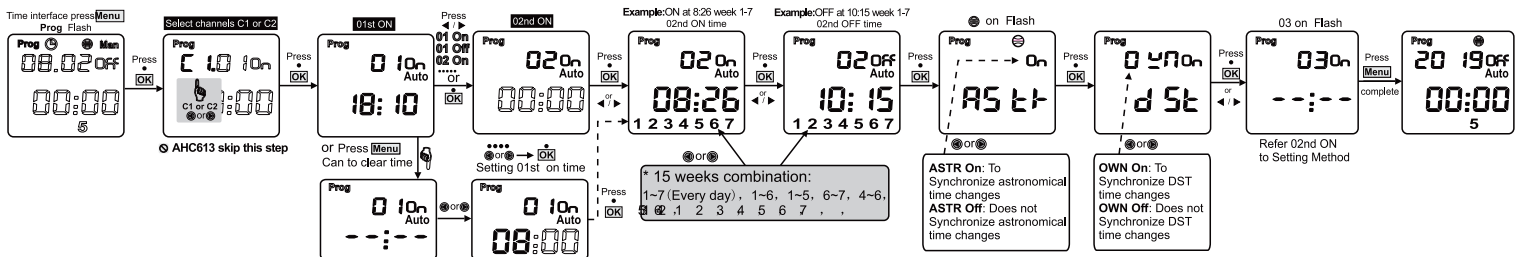
2. Longitude, latitude, time zone and ON/OFF Timing program settings

- a. Press **Menu** during the setting process to return to the current time interface.
- b. Press **Menu** to view and modify ON / OFF programs and pulse programs
- c. The program time cannot be set to overlap. It should be set according to the time sequence.

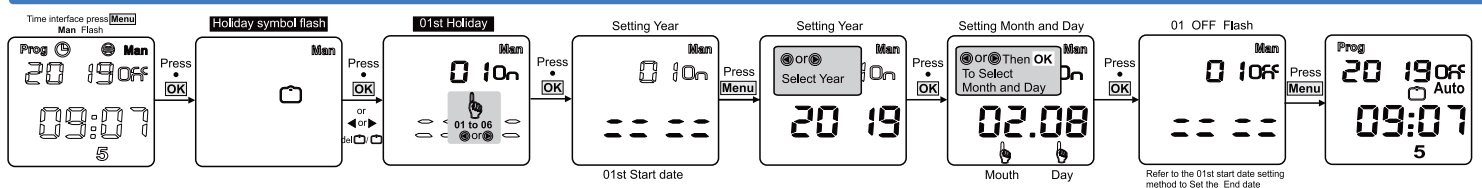
2.1 Longitude, latitude, time zone and 01st ON/OFF program settings



2.2 ON/OFF program setting (Can setting 16 ON/OFF program.)



3. Holiday setting (Can setting 6 Holiday settings.)



4. Manual ON and OFF (Channel 1 Press both " " and " " Channel 2 Press both " " and " ")

Status display area (right side of the screen)	Working status	
On Auto	Automatic control status	Contact is ON status
Off Auto		Contact is OFF status
On	The set ON/OFF programs and pulsation programs is invalid	Force ON state
Off		Force OFF state