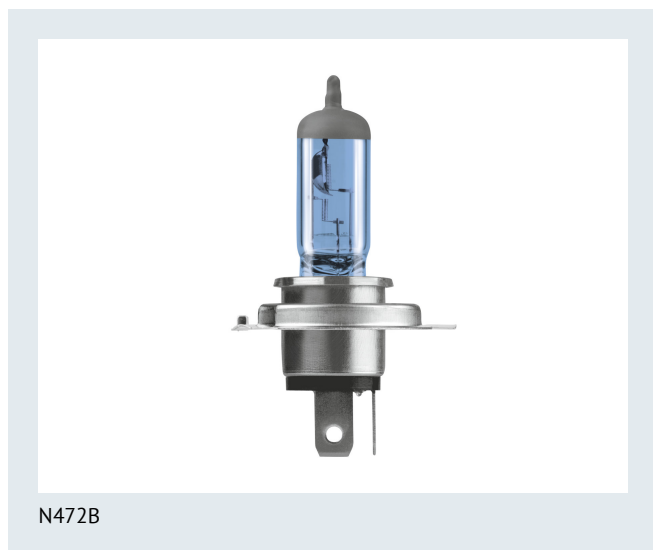




NEOLUX[®]
GERMAN TECHNOLOGY

Blue Light 60/55 W 12 V P43t

Car lamps from NEOLUX ensure the roads ahead are well-lit and visible to others.



N472B

Product family benefits

- Stylish appearance
- High contrast
- Better visibility
- Remarkable illumination
- Affordable

Product family features

- Bluish white light
- Xenon look
- Blue coating
- ECE certified lamps
- Good and reliable quality thanks to German technology

Areas of application

- Headlight



N472B



N472B-2SCB

Product information

Application (Category and Product specific)	Halogen headlight lamp
---------------------------------------------	------------------------

Electrical data

Power input	75 W
Test voltage	13.2 V
Nominal wattage	60/55 W
Nominal voltage	12.0 V

Photometrical data

Color temperature	4000 K
Luminous flux	1650/1000 lm
Luminous flux tolerance	±12 %

Dimensions & weight

Product weight	23.70 g
Length	87.0 mm
Diameter	17.0 mm

Lifespan

Lifespan Tc	150 h
Lifespan B3	50 h

Additional product data

Base (standard designation)	P43t
-----------------------------	------

Capabilities

Technology	Halogen lamp
------------	--------------

Certificates & standards

ECE category	H4
British standard	472

Logistical data

Order reference	N472B
-----------------	-------

Environmental information

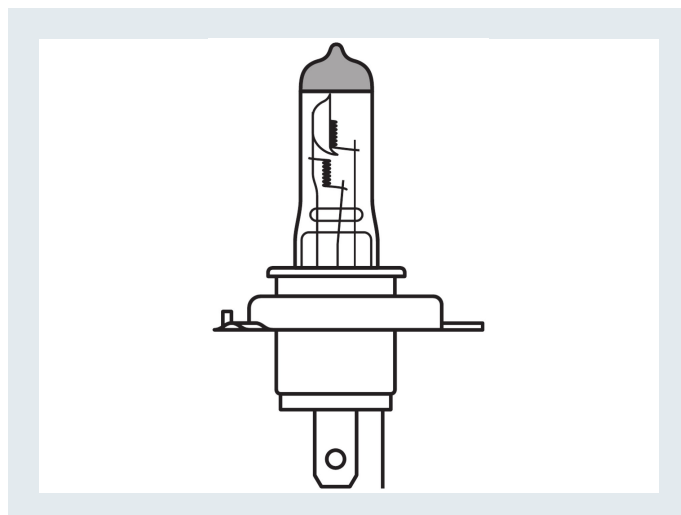
Date of Declaration	10-06-2022
Primary Article Identifier	4008321756824 4052899466265 4052899500976 4052899995499 4052899995819 8585011218863

Candidate List Substance 1	No declarable substances contained
----------------------------	------------------------------------

Declaration No. in SCIP database	In work
----------------------------------	---------

Packaging Information

Packaging description NEOLUX	EAN	Packaging type	Amount of article
N472B	4052899466265	Folding box	1
N472B-2SCB	4052899500976	Soft cover box	2



NEOLUX[®]
GERMAN TECHNOLOGY

NEOLUX Automotive Lighting
OSRAM GmbH

Marcel-Breuer-Str 6
80807 Munich, Germany

Phone +49 89 6213-0
Fax +49 89 6213-2020

www.neolux-lighting.com