

55502601	<b>DATA SHEET</b>	
Valid from: 07.03.2019	<b>SILVYN® US-M EE / SILVYN® US EE</b>	

SILVYN® US-M EE / US EE is a metal connector with metric and PG connecting thread, with a plastic sleeve.  
The connector is universally useable and has a high dust and fluid protection.



**Material:**

Body	Brass, nickel plated
Pressure nut	Brass, nickel plated
Sealing ring	TPE
Sleeve	Plastic
O-ring	NBR

**Technical features:**

Connecting thread	M10x1,5 up to M63x1,5 acc. to DIN EN 60423 PG 7 up to PG 48 acc. to DIN 40430
Nominal width	NW 10 up to NW 56
Protection class	IP 54 Depending on the used conduit
Temperature range	-10°C up to +110°C

**Approvals:**



**Reference standards:**

DIN EN 61386-23

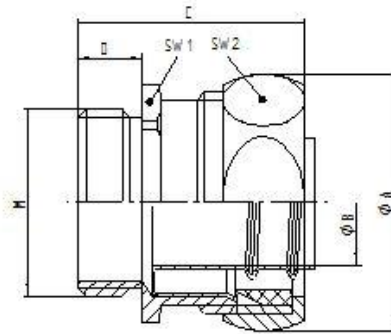
**Suitable Conduits:**

SILVYN® FPS  
SILVYN® FD-PU

For more information please see our current catalogue. Please do not hesitate to contact our laboratory if there are any questions regarding resistance against aggressive agents and special oil.

Creator: MAU1 /PDP Released: DAMU1/PDP	Document: DB55502601EN Version: 03	Page 1 of 2
---	---------------------------------------	-------------

55502601	<b>DATA SHEET</b>	
Valid from: 07.03.2019	<b>SILVYN® US-M EE / SILVYN® US EE</b>	



**Dimension table:**

Part No.	Thread	NW	Length C mm	Thread length D mm	Outer Ø A mm	Inner Ø B mm	SW 1	SW 2
<b>SILVYN® US-M EE</b>								
5550 2601	M 10x1,5	10	31,0	10,0	19,0	6,0	15	17
5550 2602	M 12x1,5	14	33,0	10,0	23,0	9,0	19	21
5550 2603	M 16x1,5	17	33,0	10,0	27,0	11,5	23	25
5550 2604	M 20x1,5	21	33,0	10,0	31,0	14,5	27	29
5550 2605	M 25x1,5	27	41,0	11,0	39,0	19,5	34	36
5550 2606	M 32x1,5	36	43,0	13,0	48,0	26,5	43	45
5550 2607	M 40x1,5	45	43,0	13,0	57,0	35,0	52	54
5550 2608	M 50x1,5	56	49,0	14,0	70,0	45,0	63	66
5550 2609	M 63x1,5	56	49,0	14,0	74,0	45,5	70	70
<b>SILVYN® US EE</b>								
5550 2651	PG 7	10	28,0	7,0	19,0	6,0	15	17
5550 2652	PG 9	14	30,0	7,0	23,0	9,0	19	21
5550 2653	PG 11	17	30,0	7,0	27,0	11,5	23	25
5550 2654	PG 13,5	19	30,0	7,0	29,0	13,0	25	27
5550 2655	PG 16	21	30,0	7,0	31,0	14,5	27	29
5550 2656	PG 21	27	40,0	10,0	39,0	19,5	34	36
5550 2657	PG 29	36	40,0	10,0	48,0	26,5	43	45
5550 2658	PG 36	45	40,0	10,0	57,0	36,0	52	54
5550 2659	PG 48	56	45,0	10,0	70,0	45,5	63	66