

Modular Signal Towers / KombiSIGN 71

Signal tower KS71 RM 24VAC/DC GN/RD



| | |
|------------------|---------------------|
| Part No.: | 649.240.06 |
| Series: | KombiSIGN 71 |

| MECHANICAL DATA | |
|------------------------------|-----------------------------|
| Height | 242 mm |
| Diameter | 70 mm |
| Materials | PA-GF PC |
| Dome colour | Green Red |
| Housing colour | Black |
| Protection category | IP65 |
| Connection | Spring-type terminal |
| cross-sectional area minimum | 0,25mm ² / 24AWG |
| cross-sectional area maximum | 1,50mm ² / 16AWG |
| Cable entry | Through hole |
| Cable entry maximum | d = 14 mm |
| Type of fixing | Tube mounting |
| Working temperature minimum | -20°C |
| Working temperature maximum | +50°C |
| Weight with packaging | 297 g |
| Product weight | 242 g |

| ELECTRICAL DATA | |
|-----------------------------|--------------------|
| Operating voltage | 24V |
| Operating voltage type | AC/DC |
| Operating voltage frequency | 50Hz |
| Operating voltage tolerance | +/- 10% |
| Rated operational voltage | 24 VDC |
| Rated operational current | 30 mA |
| Rated inrush current | 500 mA |
| Protection class | Protection class 2 |
| Pollution degree | 3 |

| OPTICAL DATA | |
|----------------------|-------------------|
| Light source | LED |
| Light colour | Green Red |
| Optical signal image | Permanent |
| Service life optical | 100,000 h maximum |

| APPROVAL DATA | |
|------------------------------|--------------------------------|
| Conforms with CE | Yes (through the components) |
| Conforms with RoHS directive | Fulfills substance restriction |

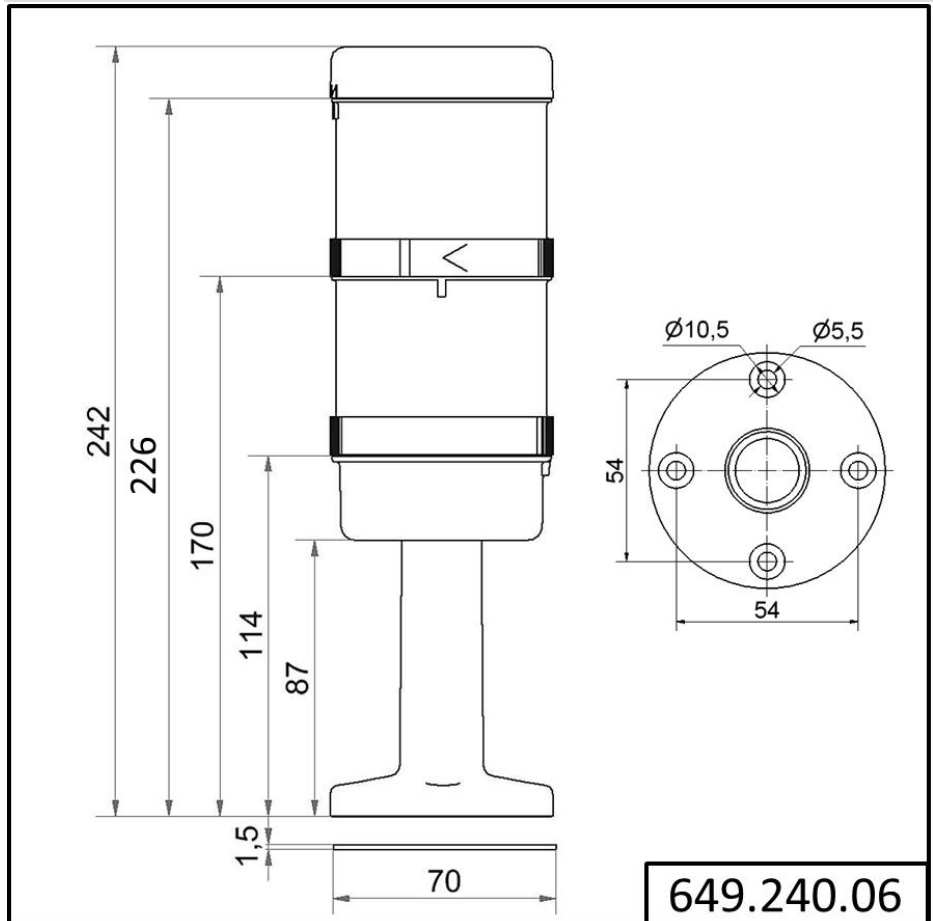
! For additional installation and mounting information, refer to the appropriate user guide at www.werma.com. This printed copy is for information only and is subject to alteration.

Modular Signal Towers / KombiSIGN 71

Signal tower KS71 RM 24VAC/DC GN/RD

| | |
|------------------------------|-----|
| WEEE | Yes |
| Conforms with ATEX-directive | No |
| Conforms with CCC | No |
| Conforms with UL | No |
| Conforms with FCC | No |
| Conforms with IC | No |
| EAC certificate available | Yes |
| Conforms with AS-I | No |
| ICAO Certification | No |
| Conforms with DNV | No |
| Conforms with RoHS CN | No |
| Conforms with VdS | No |

DRAWING



! For additional installation and mounting information, refer to the appropriate user guide at www.werma.com. This printed copy is for information only and is subject to alteration.