


| | | |
|---------------------------|-------------------------------|---|
| 22260859 | DATA SHEET |  |
| Valid from: 09.11.2018 | AB-C8-(L*)PUR-M12FA-SH | |

Product description

Sensor/actuator-cable, 8-pos., PUR black, angled socket M12 on free conductor end, shielded.



Product variations

| Article number | Article description | Length (L*) [m] |
|----------------|------------------------|-----------------|
| 22260859 | AB-C8-5,0PUR-M12FA-SH | 5 |
| 22261000 | AB-C8-15,0PUR-M12FA-SH | 15 |

This datasheet is also valid for other length configurations. Other lengths upon request.

M12 connector

General properties

| | |
|-----------------------|------------------|
| Coding | A |
| Protection degree | IP65/IP67/IP68 |
| Number of contacts | 8 |
| Ambient temperature | -25 °C to +90 °C |
| Rated voltage | 30 V |
| Rated current | 2 A |
| Insulation resistance | ≥ 100 MΩ |
| Volume resistance | ≤ 5 mΩ |
| Overvoltage category | II |
| Pollution degree | 3 |
| Tightening torque | 0.4 Nm |
| Mating cycles | 100 |

Materials

| | |
|--|------------------------------|
| Contact carrier | TPU GF |
| Contact carrier, inflammability class in accordance with UL 94 | HB |
| Material, contacts | CuSn |
| Contact surface | Ni/Au |
| Material, grip body | TPU |
| Material, knurl | zinc die-cast, nickel-plated |
| Material, sealing | NBR |

| | | |
|---|---------------------------------------|-------------|
| Creator: MANA2/PDP Released: IVSE1/PDP | Document: DB22260859EN Version: 02 | Page 1 of 3 |
|---|---------------------------------------|-------------|

| | | |
|---------------------------|-------------------------------|---|
| 22260859 | DATA SHEET |  |
| Valid from: 09.11.2018 | AB-C8-(L*)PUR-M12FA-SH | |


Cable

| | |
|--|--|
| Signal line, construction | 32 x 0.10 mm |
| Signal line, AWG | 24 |
| Conductor, material | stranded of bare copper wire |
| Conductor, cross-section | 0.25 mm ² |
| Number of cores | 8 |
| Core identification code | white (1), brown (2), green (3), yellow (4), grey (5), pink (6), blue (7), red (8) |
| Outer diameter, core insulation | 1.17 mm |
| Core insulation, material | PP |
| Screening | braid of copper wire |
| Coverage | 85 % |
| Outer sheath | PUR |
| Outer sheath, color | black similar to RAL 9005 |
| Outer diameter, cable | 5.9 mm |
| Ambient temperature, fixed installation | -40 °C to +80 °C |
| Ambient temperature, flexing | -25 °C to +80 °C |
| Minimum bending radius, fixed installation | 8 x cable diameter |
| Minimum bending radius, flexing | 10 x cable diameter |
| Travel length | 10 m |
| Travel speed | 3 m/s |
| Acceleration | 10 m/s ² |
| Number of bending cycles | 4.000.000 |
| Nominal voltage | ≤ 300 V |
| Test voltage | ≥ 3000 V |
| Flame retardance | flame retardant acc. to UL FT-2 UL 758/1581 (horizontal) UL 758/1581 FT2 DIN EN 60332-2-2 (20s) |
| Halogen free | halogen free acc. to DIN VDE 0472 Part 815 DIN EN 50267-2-1 |
| Other resistances | resistant to hydrolysis and microbes limited UV resistance acc. to DIN EN ISO 4892-2-A |

Standards/Approvals

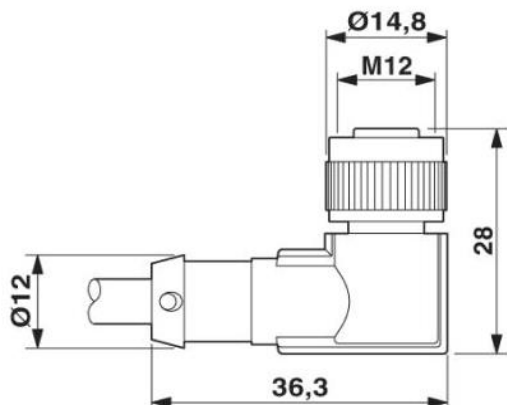
| | |
|---------------------------------|-----------------|
| Product standard, M12 connector | IEC 61076-2-101 |
| UL-listed, E-File | E249137 |

| | | |
|---|---------------------------------------|-------------|
| Creator: MANA2/PDP Released: IVSE1/PDP | Document: DB22260859EN Version: 02 | Page 2 of 3 |
|---|---------------------------------------|-------------|

| | | |
|---------------------------|------------------------|---|
| 22260859 | DATA SHEET |  |
| Valid from: 09.11.2018 | AB-C8-(L*)PUR-M12FA-SH | |

Drawings

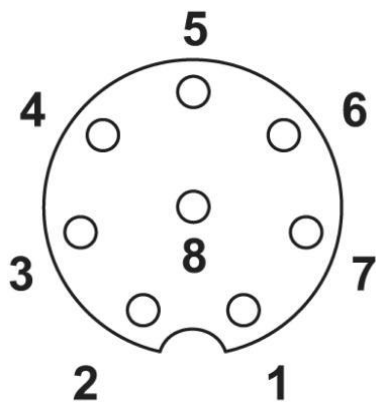
Dimensioned drawing, M12 connector



Wiring diagram



Pin assignment



Cable



Core identification code: white (1), brown (2), green (3), yellow (4), grey (5), pink (6), blue (7), red (8)

Note

Photographs are not true to scale and do not represent detailed images of the respective products.

| | | |
|---|---------------------------------------|-------------|
| Creator: MANA2/PDP Released: IVSE1/PDP | Document: DB22260859EN Version: 02 | Page 3 of 3 |
|---|---------------------------------------|-------------|