

PHILIPS

LRM1070, LRM1080

Movement detector



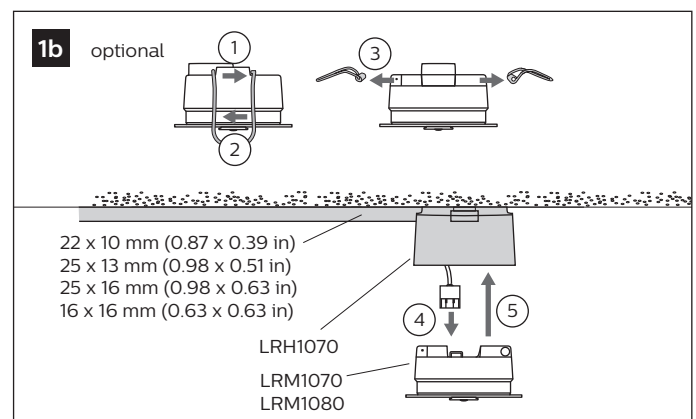
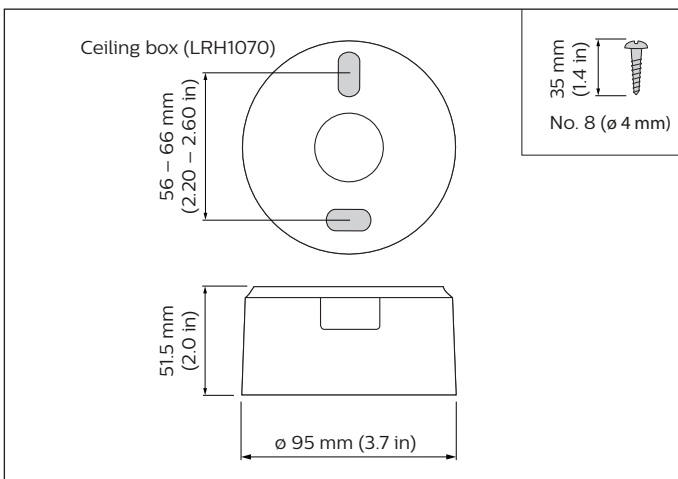
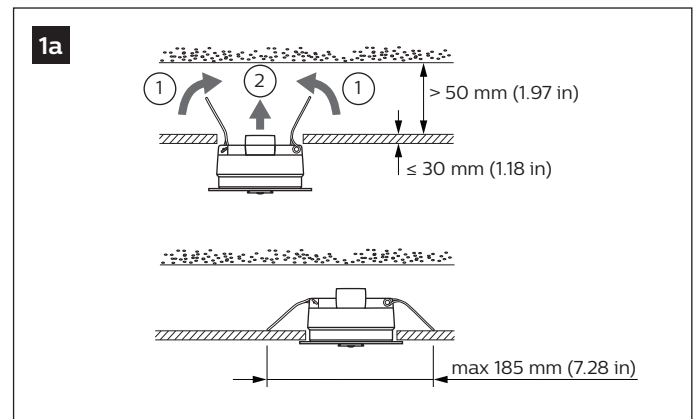
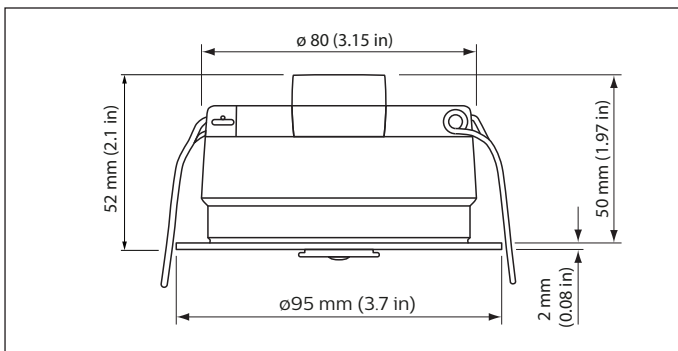
Installation Instructions

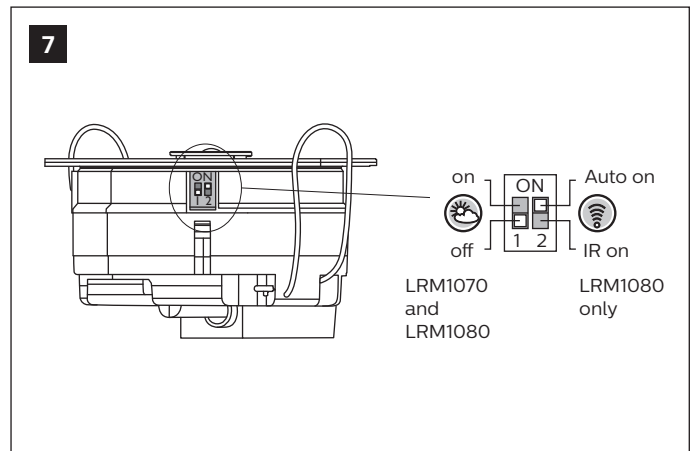
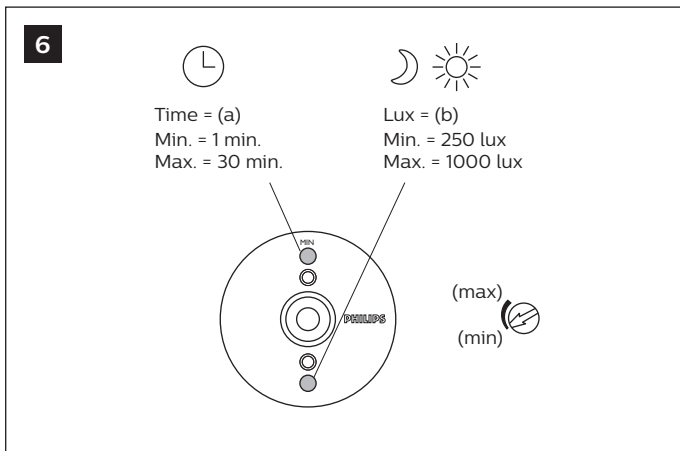
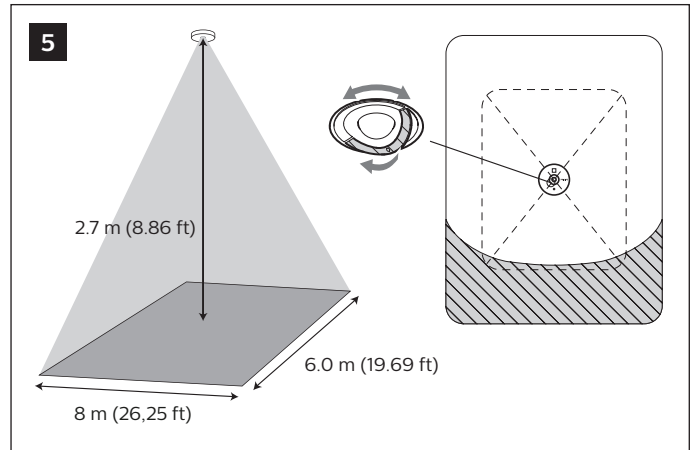
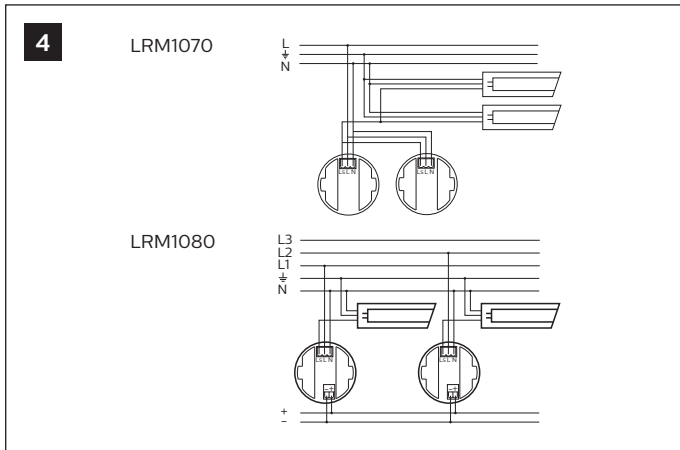
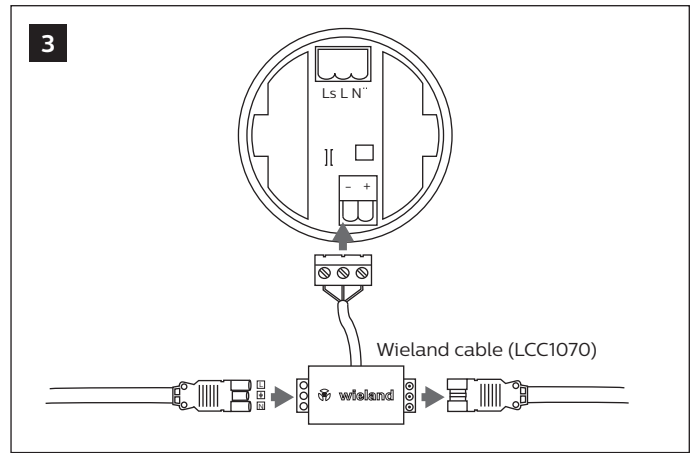
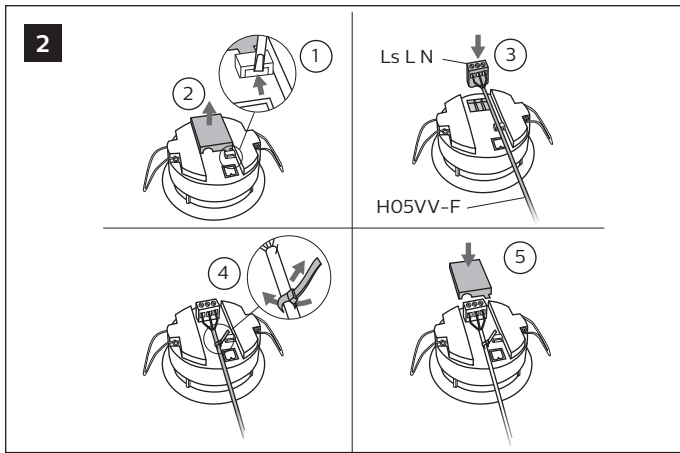
Instructions d'installation
Instrucciones de instalación

Istruzioni per l'installazione
Installatie-instructies

Installationsanweisungen
インストール手順

安裝指示书
إرشادات التركيب





Hazardous Substances		
Type	LRM1070	LRM1080
Lead (Pb)	x	x
Mercury (Hg)	0	0
Cadmium (Cd)	0	0
Hexavalent Chromium (Cr (VI))	0	0
Polybrominated biphenyls (PBB)	0	0
Polybrominated diphenyl ethers (PBDE)	0	0

This table is prepared in accordance with the provisions of SJ/T 11364.
 O: Indicates that said hazardous substance contained in all of the homogeneous materials for this part is below the limit requirement of GB/T 26572.
 X: Indicates that said hazardous substance contained in at least one of the homogeneous materials used for this part is above the limit requirement of GB/T 26572.

Warning
 The connector of the OccuSwitch is capable of accepting a wide range of cables (1.5 to 2.5mm²), but when heavy ridged cables (especially single core) are used it is strongly advised to make use of the LCC1070 to prevent the OccuSwitch of being pushed out of the ceiling due to the weight of these ridged cables.

