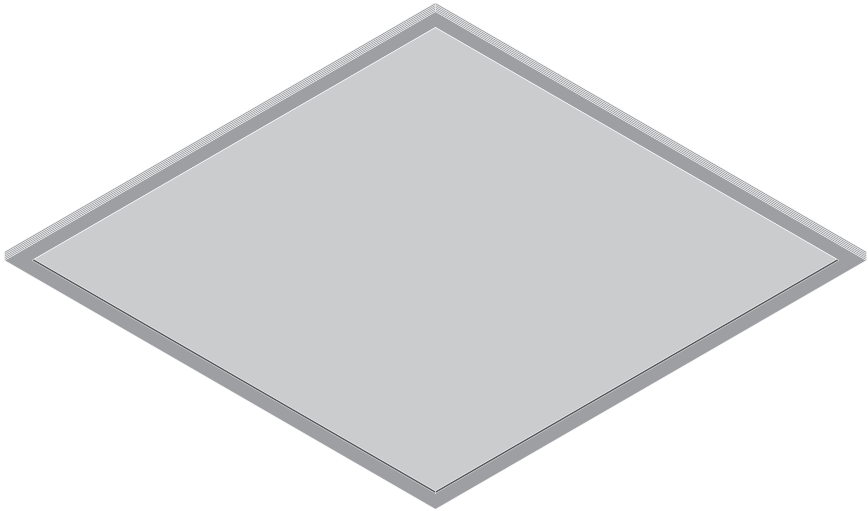
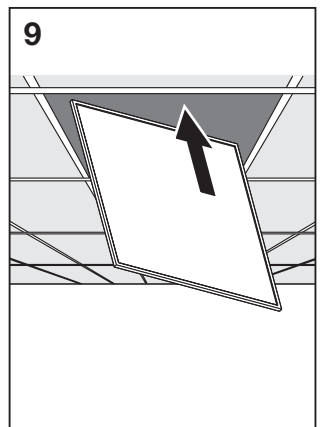
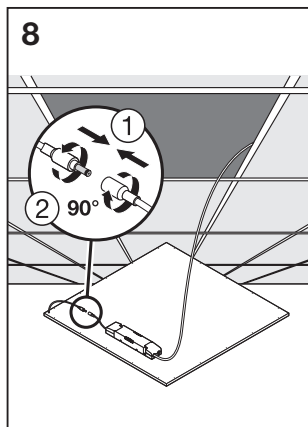
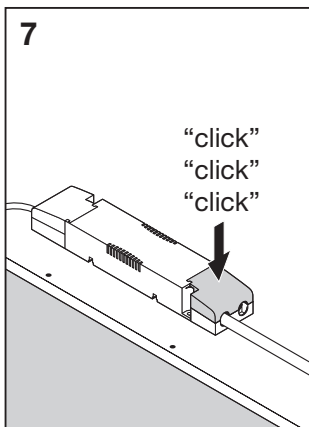
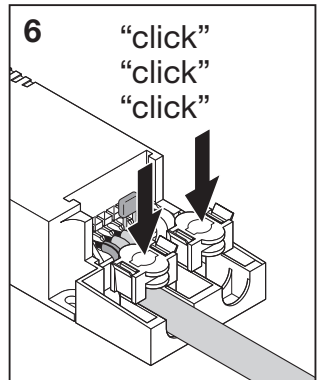
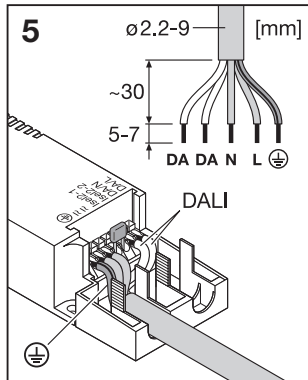
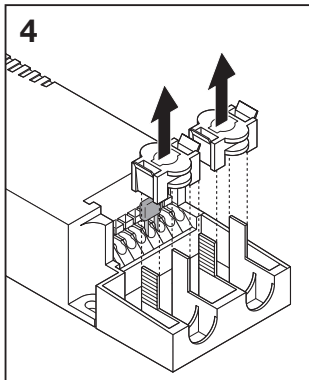
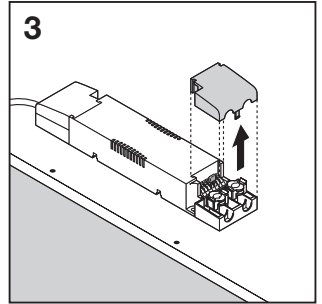
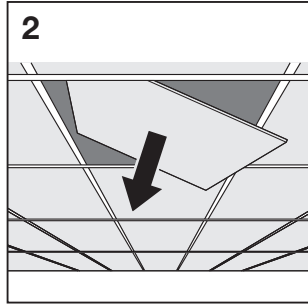
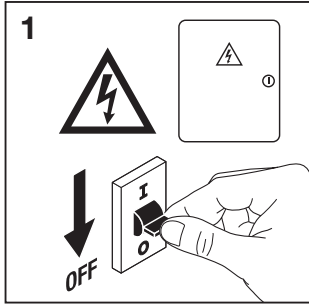
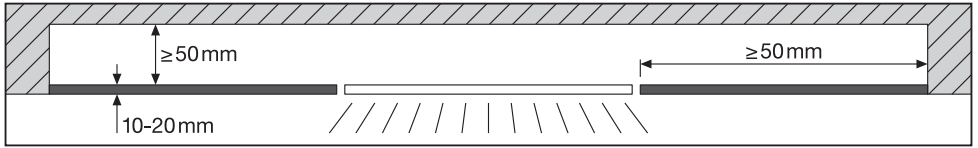


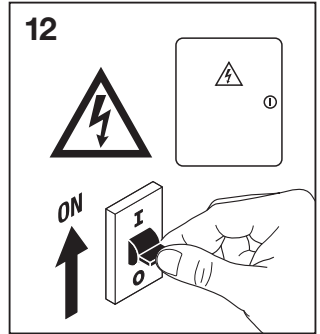
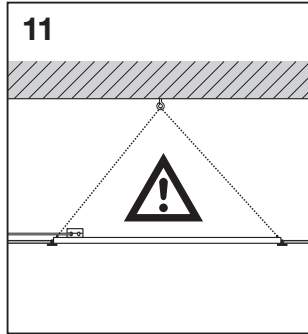
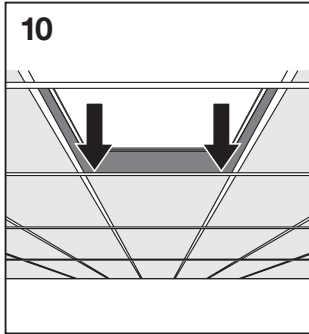
PANEL 600/625 DALI IP54



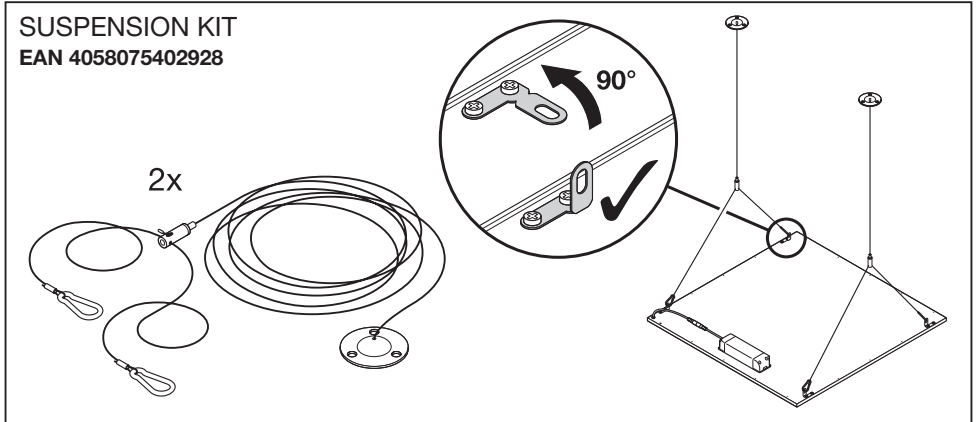
	EAN	I x w x h [mm]	W	W (230V DC)	lm	lm (230V DC)	lm/W	K
PANEL 600 DALI 36W/3000K OP IP54	4058075217720	595 x 595 x 12.6	36	6	4320	600	120	3000
PANEL 600 DALI 36W/4000K OP IP54	4058075217744	595 x 595 x 12.6	36	6	4320	600	120	4000
PANEL 625 DALI 36W/3000K OP IP54	4058075217768	620 x 620 x 12.6	36	6	4320	600	120	3000
PANEL 625 DALI 36W/4000K OP IP54	4058075217782	620 x 620 x 12.6	36	6	4320	600	120	4000

	EAN	IP	IK	⊖ (°C)	V _{AC}	Hz	∇	PF	R _a	👤
PANEL 600 DALI 36W/3000K OP IP54	4058075217720	54	06	-10...+40	220-240V	0/50/60 Hz	120°	> 0.9	≥80	2.7 kg
PANEL 600 DALI 36W/4000K OP IP54	4058075217744	54	06	-10...+40	220-240V	0/50/60 Hz	120°	> 0.9	≥80	2.7 kg
PANEL 625 DALI 36W/3000K OP IP54	4058075217768	54	06	-10...+40	220-240V	0/50/60 Hz	120°	> 0.9	≥80	2.8 kg
PANEL 625 DALI 36W/4000K OP IP54	4058075217782	54	06	-10...+40	220-240V	0/50/60 Hz	120°	> 0.9	≥80	2.8 kg

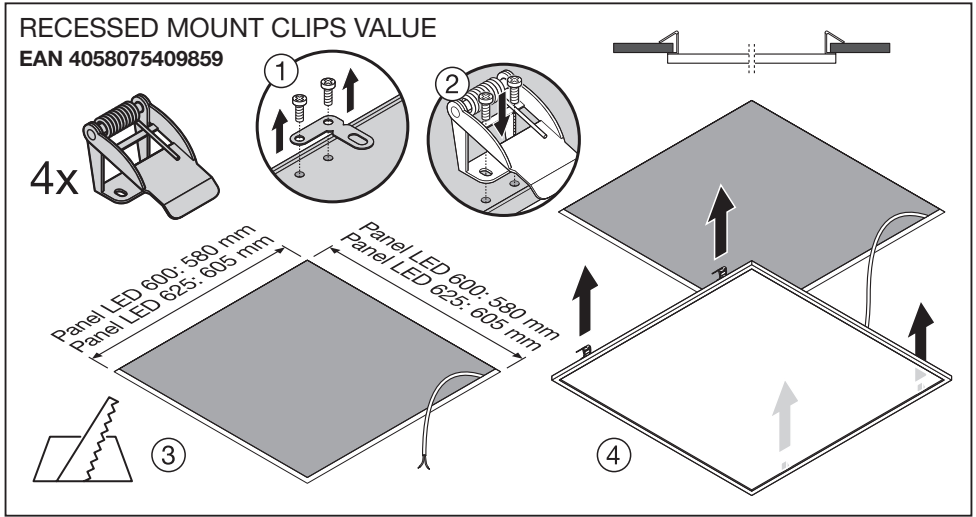




SUSPENSION KIT
EAN 4058075402928



RECESSED MOUNT CLIPS VALUE
EAN 4058075409859

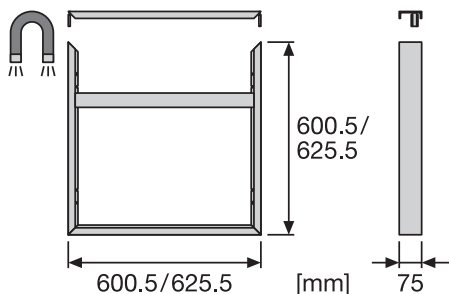


PL 600 SURFACE MOUNT KIT H75

EAN 4058075472914

PL 625 SURFACE MOUNT KIT H75

EAN 4058075402938

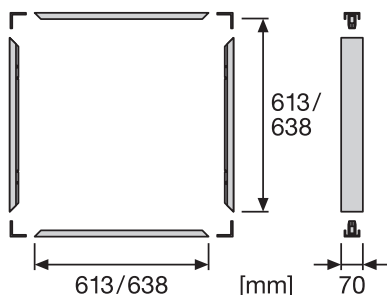


PL 600 SURFACE MOUNT KIT H70 VAL

EAN 4058075402843

PL 625 SURFACE MOUNT KIT H70 VAL

EAN 4058075402867

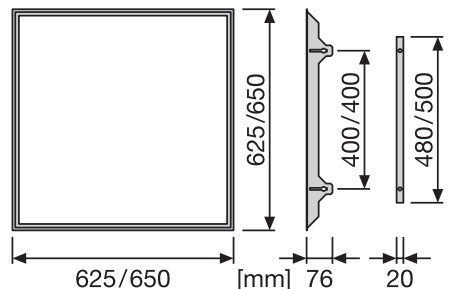


PL 600 RECESSED MOUNT FRAME

EAN 4058075402881

PL 625 RECESSED MOUNT FRAME

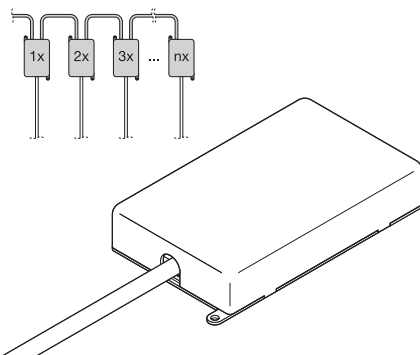
EAN 4058075402904

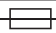
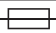
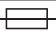


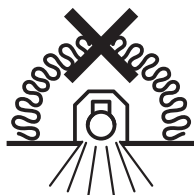
CONNECTOR BOX 5POLE

L/N/PE/D+/D- 4x (DALI)

EAN 4058075473034



C10A 	B16A 	C16A 	DALI	I _{OUT} [mA]	R _{LEDset} [Ω]
23	23	38	LCA 45W 500-1400mA one4all SC PRE	1200 @ 5V	4.3k (Tridonic I-Select 2 PLUG 1200MA BL 28001128)



C10449057
G11056603
07.12.18



LEDVANCE GmbH
Steinerne Furt 62
86167 Augsburg, Germany
www.ledvance.com