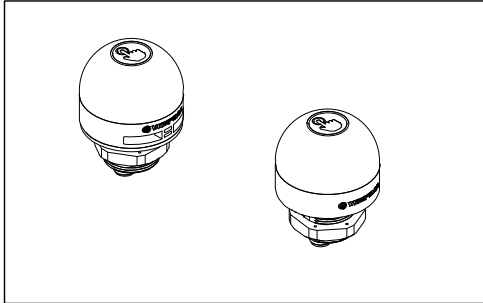
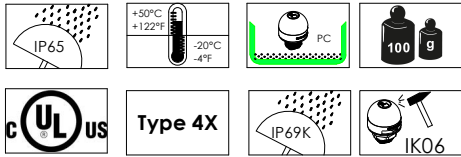
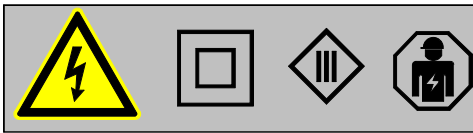


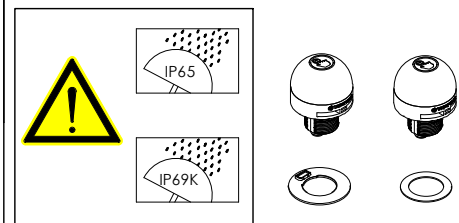
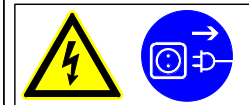
WERMA® 240 MC55 Touch Multicolour Beacon



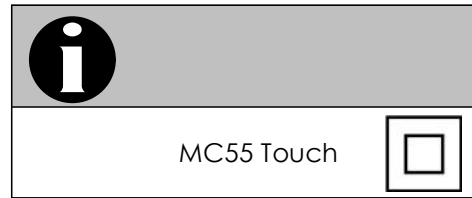
WERMA Signaltechnik GmbH + Co.KG
D-78604 Rietheim-Weilheim
Telefon + 49 (0) 7424/9557-0
Telefax + 49 (0) 7424/9557-44
info@werma.com
www.werma.com



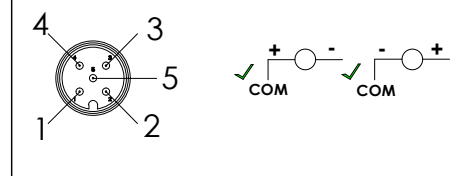
- Ⓓ Anschluss ausschließlich durch ausgebildete Elektro-Fachkräfte.
- ⒸⒺ Electrical connection is to be made by trained electrical specialists only .
- Ⓕ Le branchement doit uniquement être effectué par des professionnels.
- Ⓘ Il collegamento deve essere eseguito solo da elettricisti specializzati.
- Ⓔ La conexión sólo debe ser realizada por electricistas debidamente formados.
- Ⓗ A ligação deve ser feita exclusivamente por profissional elétrico especializado.
- Ⓖ De aansluiting mag enkel gebeuren door erkende vakmensen.
- Ⓒ Pripojení smí provádět pouze kvalifikovaný personál.
- Ⓗ Podłączenie wyłącznie przez specjalistów-elektryków.
- Ⓕ Liittäminen kuuluu ainoastaan koulutettujen sähköalan ammattilaisten tehtäviin.
- ⒸⒺ Подключёние проводов только специалистом-электриком.
- Ⓗ Bağlantı sadece eğitimli elektrik teknisyenleri tarafından yapılmalıdır.
- ⒸⒺ 布线需由专业电工执行



A suitable isolating source in conjunction with a fuse in accordance with UL248, (JDYX2/8). The fuse shall be rated max. T 1.25 A and be installed in the 24 VDC power supply to the device in order to limit the available current.



Description	Material Number	Limited Voltage	Limited Current
MC55 Touch Permanent O NPN	240 260 55	24VDC	50mA
MC55 Touch Permanent O PNP	240 280 55	24VDC	50mA
MC55 Touch Permanent O NPN	240 270 55	24VDC	60mA
MC55 Touch Permanent O PNP	240 290 55	24VDC	60mA



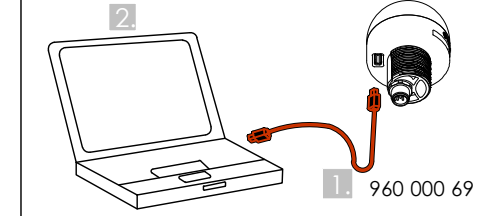
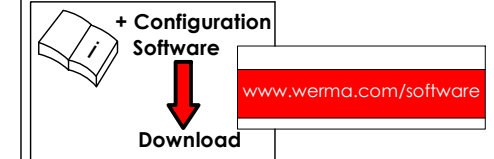
Pin					Colour
1	2	3 COM	4 Output	5	
NC	(±)V	(±)	Min. 100ms Pulse	(±)V	RD
(±)V	NC				GN
(±)V	(±)V				YE

1: If no input, no touch action.
2: Light and buzzer controlled by PLC, will not change light/buzzer by MCU after touch.
NC=not connected

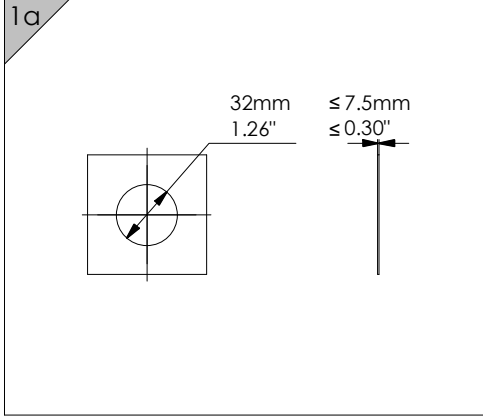
MC55 Touch S				
Description	Material Number	Limited Voltage	Limited Current	Max Load (Switch Mode)
MC55 Touch S Permanent	240 160 55	24VDC	60mA	200mA
MC55 Touch S Permanent	240 170 55	24VDC	75mA	200mA

Pin					Function
1	2	3 COM	4 Output	5	
(±)V	NC	Config with Software either 24V ON or 100ms Pulse		NC	Config Colour, Light Pattern and sound with Software
NC	(±)V			NC	
NC	NC			(±)V	
(±)V	(±)V			NC	
(±)V	NC			(±)V	
NC	(±)V			(±)V	

If no input, no touch action.
NC=not connected

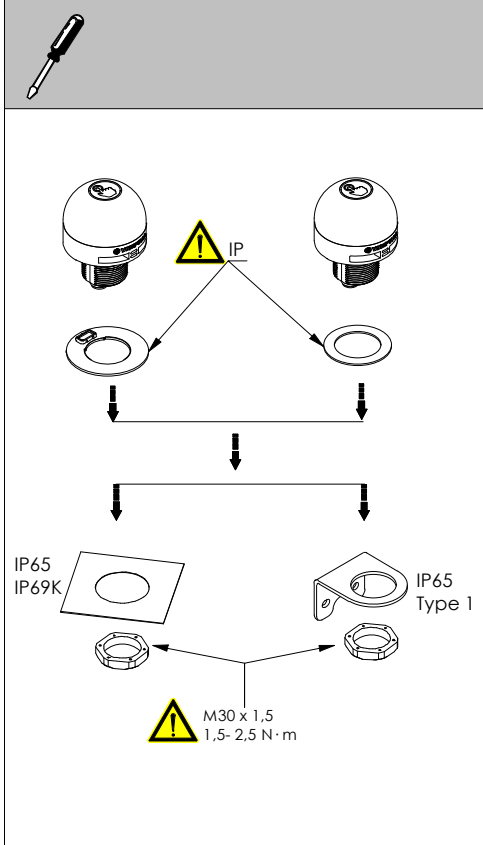


For Details see Manual
www.werma.com/download

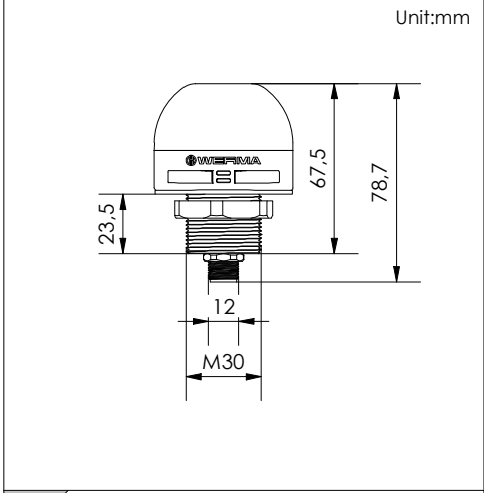
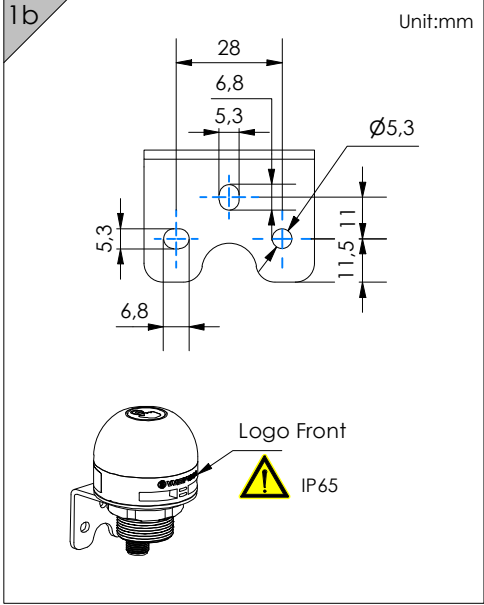


1a- 240 260 55, 240 270 55
240 280 55, 240 290 55
240 160 55, 240 170 55

1b- 960 009 32



15000005522_00
310.240.003



Marking of Hazardous Substances 有害物质标识

WERMA Signaltechnik GmbH + Co. KG
Dürbeimer Straße 15
78604 Rietheim-Weilheim / Germany

WERMA article number 零件标识编号:
240 260 55, 240 280 55, 240 160 55

According to the SJ/T 11364-2014 Standard of the People's Republic of China for the Electronic Industry
本表格依据中华人民共和国SJ/T 11364-2014的规定编制

Component Name 部件名称	Lead 铅(Pb)	Mercury 汞(Hg)	Cadmium 镉(Cd)	Hexavalent Chromium 六价铬(Cr(VI))	Polybrominated diphenyl ethers 多溴二苯醚(PBDE)
Plastic parts 塑料件	○	○	○	○	○
Label 标签	○	○	○	○	○
PCB and its electronics components 印刷电路板及其电子元器件	X*	○	○	○	○
Contact spring 接触弹片	○	○	○	○	○

This table was developed according to the provisions of SJ/T 11364-2014
本表格依据 SJ/T 11364-2014 的规定编制

O: The content of such hazardous substance in all homogeneous materials of such component is **below** the limit required by GB/T 26572-2011.
表示该有害物质在该部件所有均质材料中的含量均在 GB/T 26572-2011 规定的限量要求以下。

X: The content of such hazardous substance in all homogeneous materials of such component is **beyond** the limit required by GB/T 26572-2011.
表示该有害物质在该部件的某一均质材料中的含量超出GB/T 26572-2011 规定的限量要求。

Enterprises may further explain the technical reasons for ticking "X" in the table above according to their actual situation herein.
企业可在此处, 根据实际情形对上表中打"X"的技术原因进行进一步说明。

*Exemptions according to EU RoHS 2011/65 Annex III and IV of the avoidance may be applied
*欧盟RoHS 2011/65附件III和IV的豁免可能适用

■Restrictive substances beyond limit required by GB/T 26572-2011.
限制物质的含量超过GB/T 26572-2011 规定限制

EU/UP (Environment Friendly Use Period) 环保使用期限:
10

Rietheim 里泰姆 24.05.2024
Place and date of issue 签发地点和日期

Kensy
ppa. D. Kensy
Director &D



Marking of Hazardous Substances 有害物质标识

WERMA Signaltechnik GmbH + Co. KG
Dürbeimer Straße 15
78604 Rietheim-Weilheim / Germany

WERMA article number 零件标识编号:
240 270 55, 240 290 55, 240 170 55

According to the SJ/T 11364-2014 Standard of the People's Republic of China for the Electronic Industry
本表格依据中华人民共和国SJ/T 11364-2014的规定编制

Component Name 部件名称	Lead 铅(Pb)	Mercury 汞(Hg)	Cadmium 镉(Cd)	Hexavalent Chromium 六价铬(Cr(VI))	Polybrominated diphenyl ethers 多溴二苯醚(PBDE)
Plastic parts 塑料件	○	○	○	○	○
Label 标签	○	○	○	○	○
PCB and its electronics components 印刷电路板及其电子元器件	X*	○	○	○	○
Contact spring 接触弹片	○	○	○	○	○

This table was developed according to the provisions of SJ/T 11364-2014
本表格依据 SJ/T 11364-2014 的规定编制

O: The content of such hazardous substance in all homogeneous materials of such component is **below** the limit required by GB/T 26572-2011.
表示该有害物质在该部件所有均质材料中的含量均在 GB/T 26572-2011 规定的限量要求以下。

X: The content of such hazardous substance in all homogeneous materials of such component is **beyond** the limit required by GB/T 26572-2011.
表示该有害物质在该部件的某一均质材料中的含量超出GB/T 26572-2011 规定的限量要求。

Enterprises may further explain the technical reasons for ticking "X" in the table above according to their actual situation herein.
企业可在此处, 根据实际情形对上表中打"X"的技术原因进行进一步说明。

*Exemptions according to EU RoHS 2011/65 Annex III and IV of the avoidance may be applied
*欧盟RoHS 2011/65附件III和IV的豁免可能适用

■Restrictive substances beyond limit required by GB/T 26572-2011.
限制物质的含量超过GB/T 26572-2011 规定限制

EU/UP (Environment Friendly Use Period) 环保使用期限:
10

Rietheim 里泰姆 24.05.2024
Place and date of issue 签发地点和日期

Kensy
ppa. D. Kensy
Director &D