

KombiSIGN 71 / Terminal Element USB-Terminal element RM 5VDC BK



Part No.:	640.840.00
Series:	KombiSIGN 71



MECHANICAL DATA

Length	70 mm
Width	70 mm
Height	41 mm
Diameter	70 mm
Materials	PA-GF
Housing colour	Black
Protection category	IP65
Connection	USB
Cable entry	Through hole
Cable entry maximum	d = 14 mm
Type of fixing	Tube mounting
Working temperature minimum	-20°C
Working temperature maximum	+50°C
Weight with packaging	190 g
Product weight	139 g

ELECTRICAL DATA

Operating voltage	5V (USB)
Operating voltage type	DC
Operating voltage tolerance	+/- 0%
Rated operational voltage	5 VDC
Rated operational current	500 mA
Protection class	Protection class 2
Pollution degree	3
Request to external PSU	SELV/PELV
Current carrying capacity	90mA
connectivity	USB

OPTICAL DATA

Service life optical	50,000 h maximum
----------------------	------------------

APPROVAL DATA

Conforms with CE	Yes
Conforms with RoHS directive	Yes
WEEE	Yes
Conforms with ATEX-directive	No
Conforms with CCC	No
Conforms with UL	No
Conforms with FCC	No

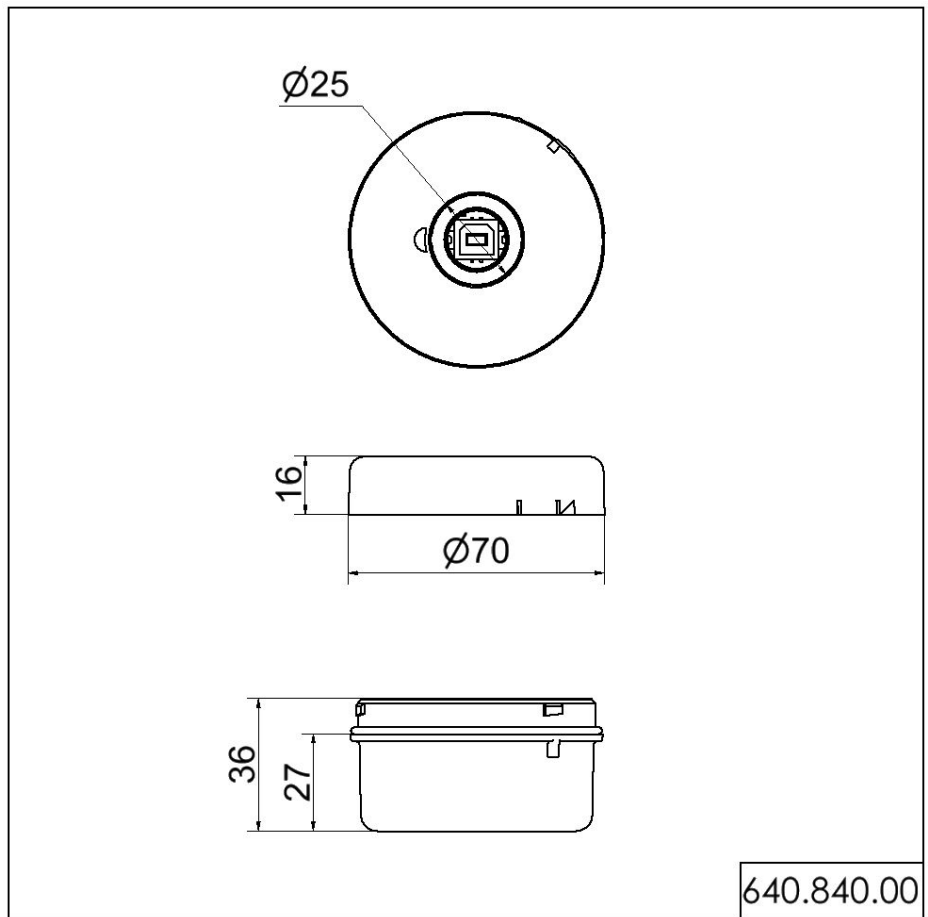


For additional installation and mounting information, refer to the appropriate user guide at www.werma.com. This printed copy is for information only and is subject to alteration.

KombiSIGN 71 / Terminal Element
USB-Terminal element RM 5VDC BK

Conforms with IC	No
EAC certificate available	Yes
Conforms with UKCA (Importer)	Yes (WERMA (UK) Ltd.)
Conforms with CMIM	No
Conforms with AS-I	No
ICAO Certification	No
Conforms with DNV	No
Conforms with RoHS CN	No
Conforms with VdS	No

DRAWING



! For additional installation and mounting information, refer to the appropriate user guide at www.werma.com. This printed copy is for information only and is subject to alteration.