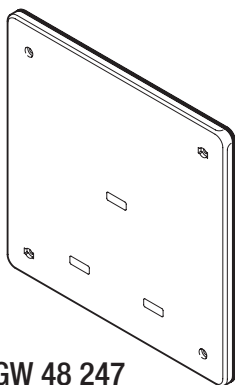
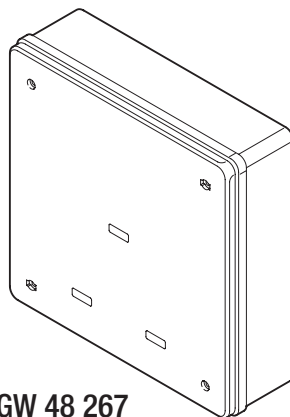


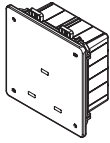
GW 48 207 PM
GW 48 211 PM



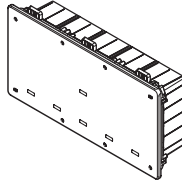
GW 48 247
GW 48 251



GW 48 267
GW 48 271

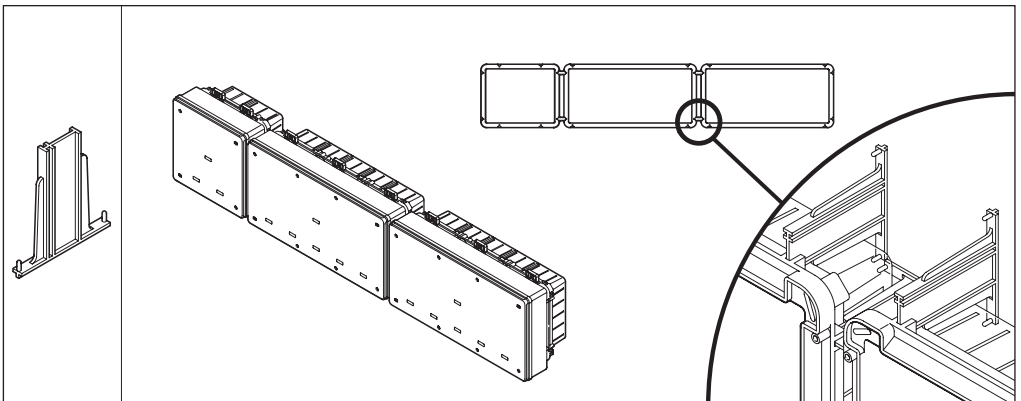
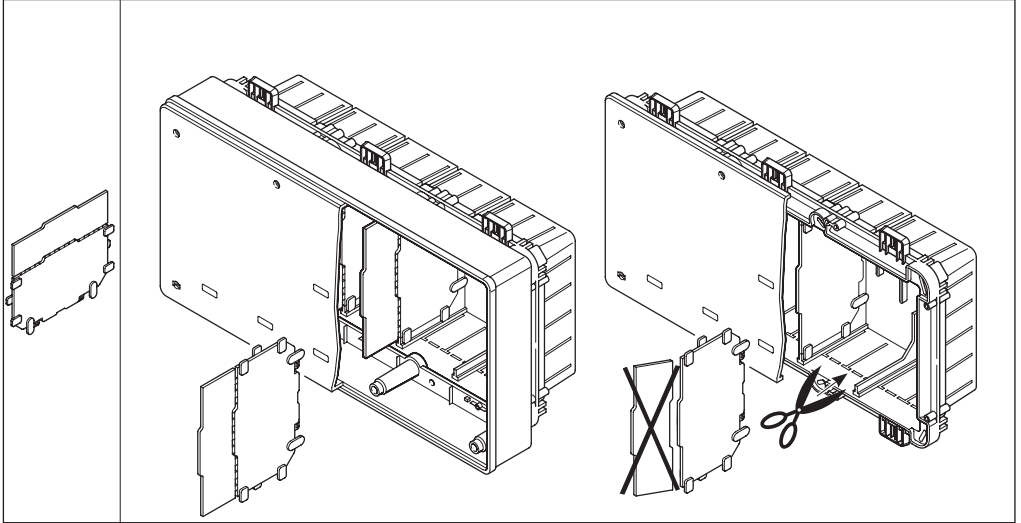


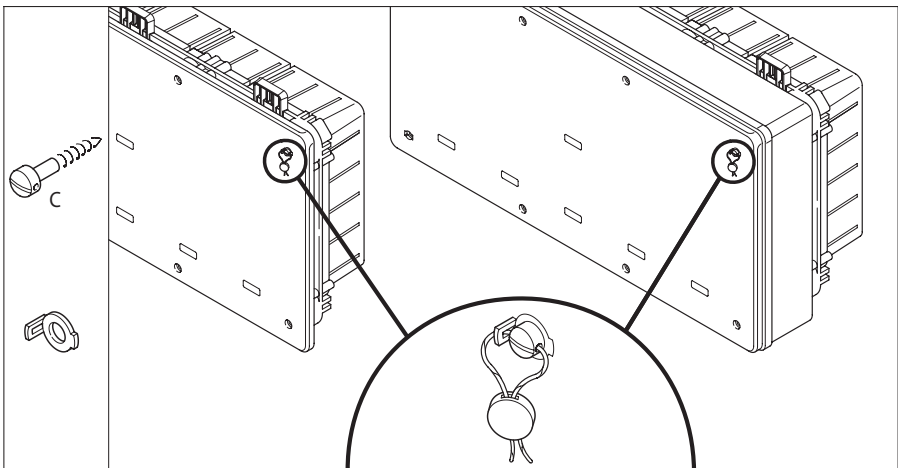
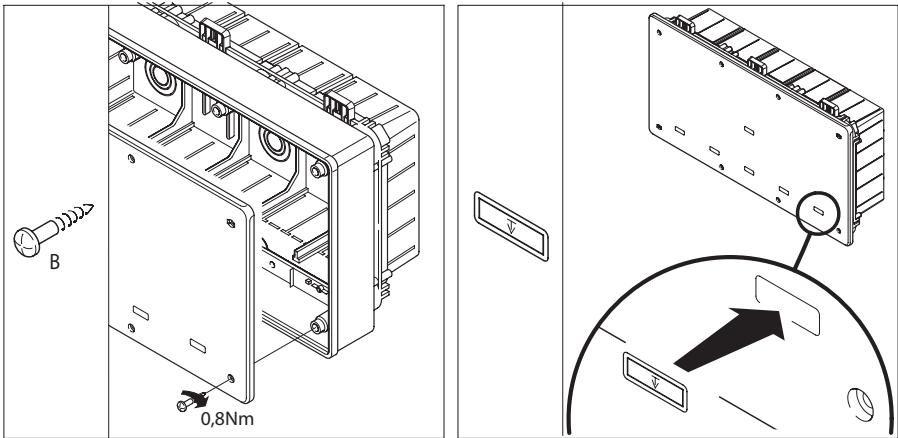
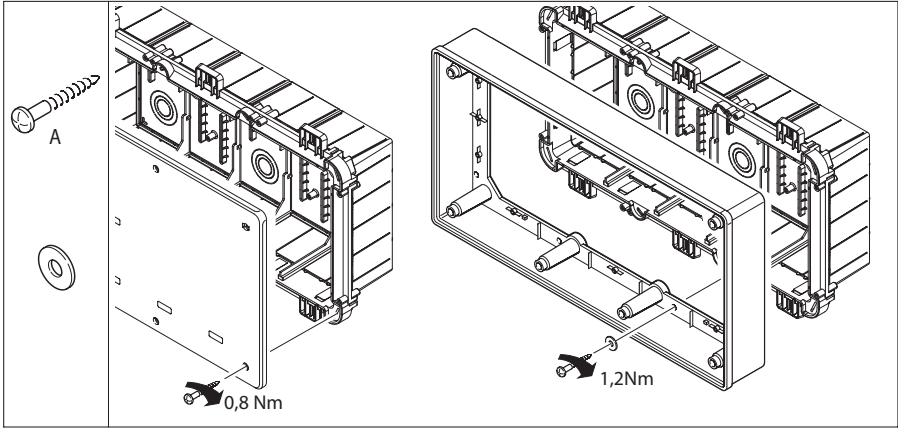
GW 48 207 PM

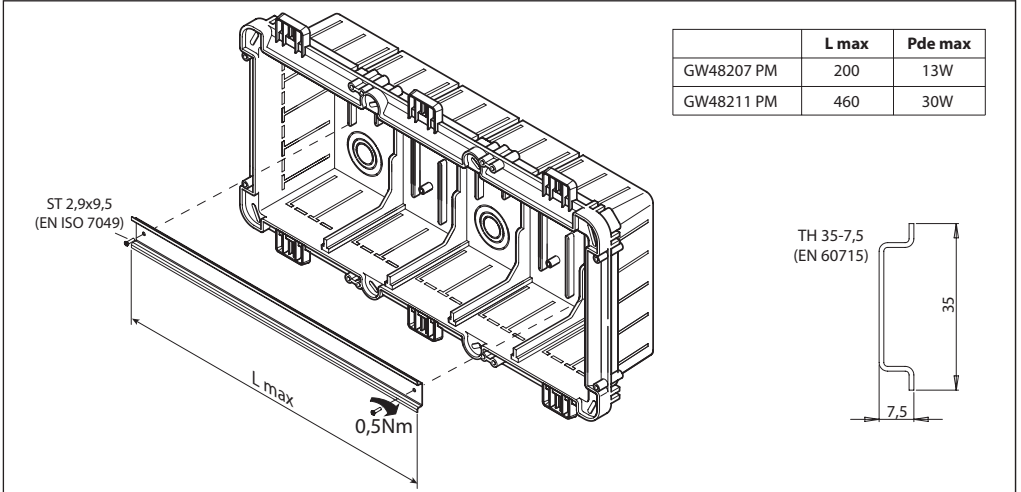


GW 48 211 PM

GW 48 207 PM	1	2	4	—	—	2	2	6
GW 48 211 PM	4	2	8	—	—	2	2	6

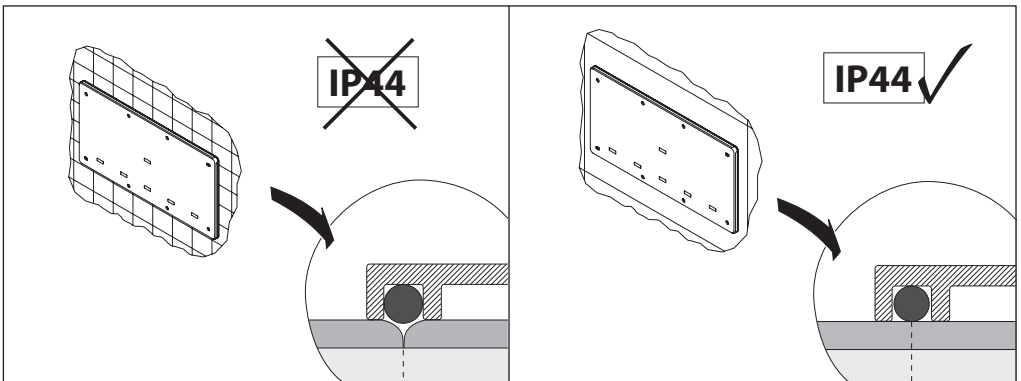


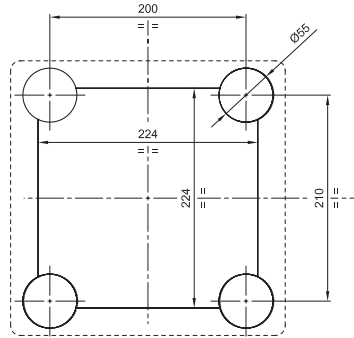




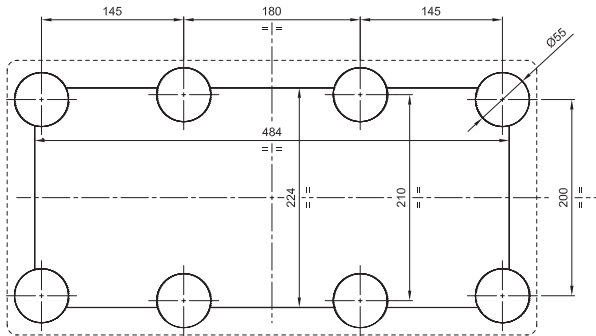
	L max	Pde max
GW48207 PM	200	13W
GW48211 PM	460	30W

	IP44				
GW 48 247	GW 48 267	GW 48 251	GW 48 271		
	B		C		
GW 48 247	—	—	2	2	6
GW 48 267	2	4	2	2	6
GW 48 251	—	—	2	2	6
GW 48 271	6	8	2	2	6

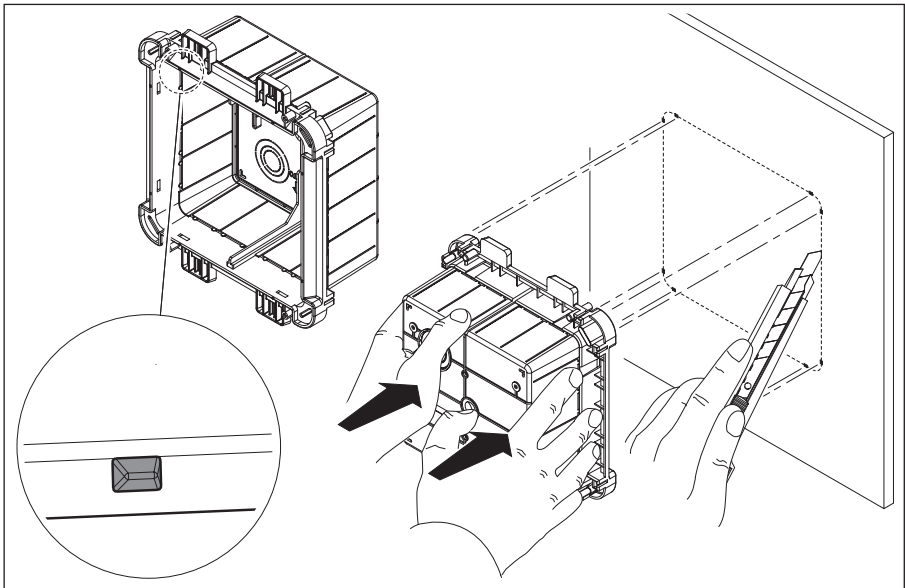


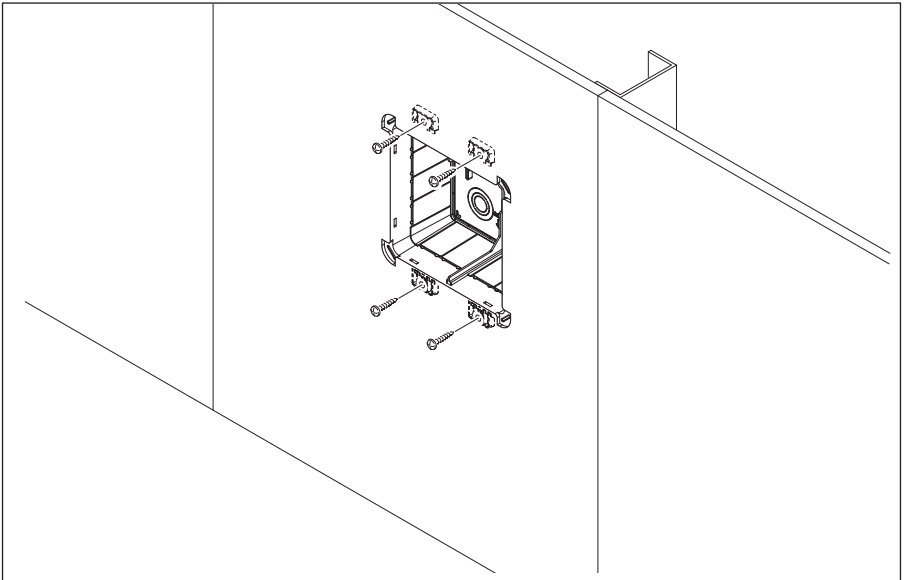
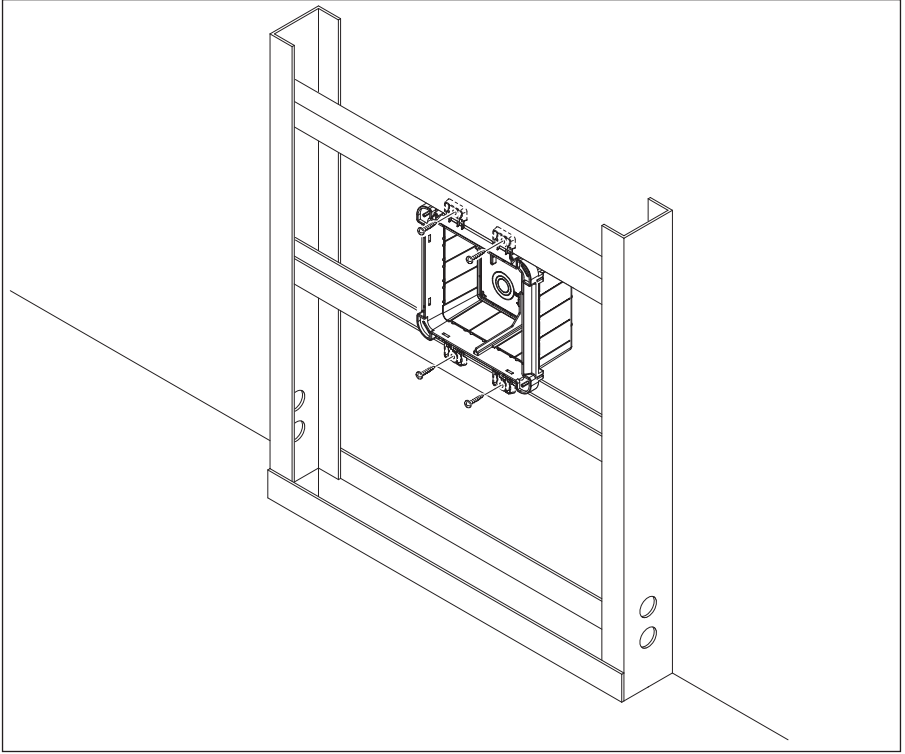


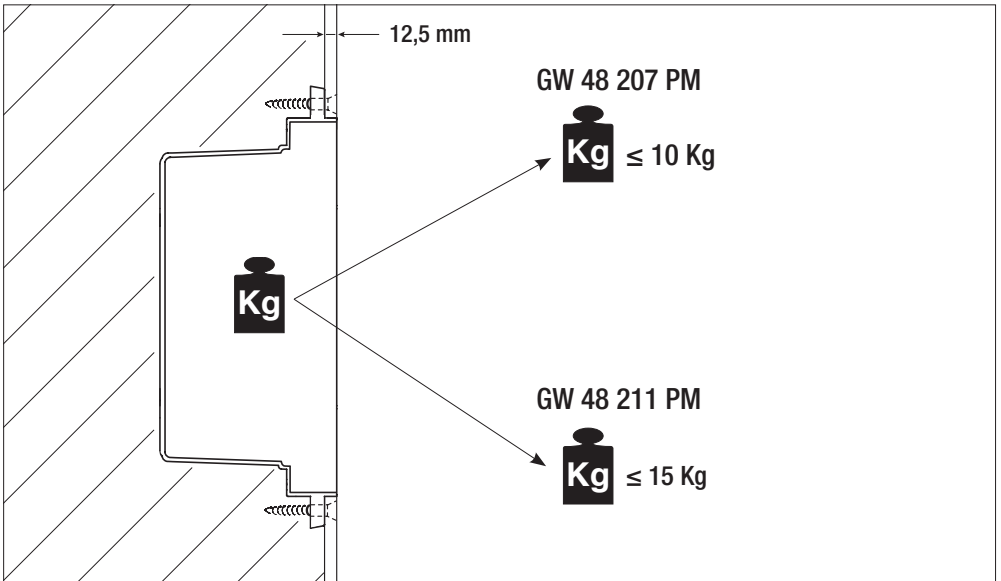
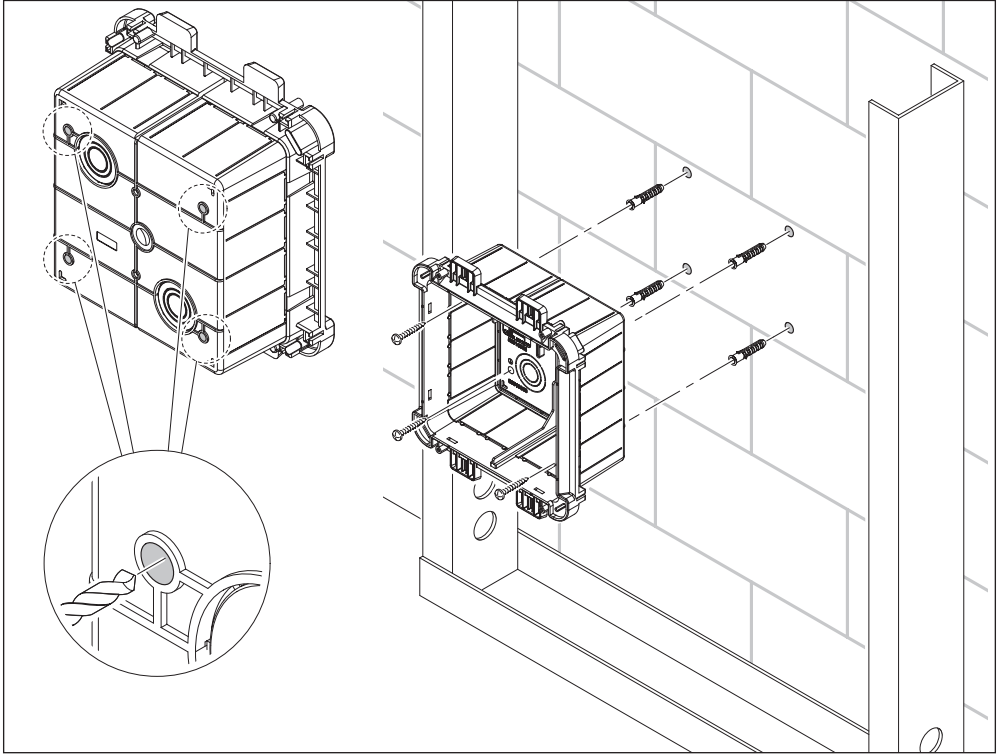
GW 48 207 PM



GW 48 211 PM



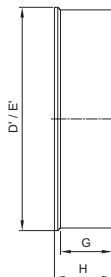
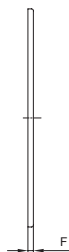
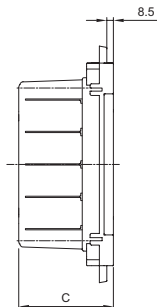
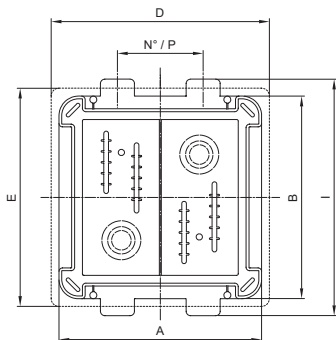






	A	B	C	I	N°/P
GW 48 207 PM	260	260	121,5	303,5	1/110
GW 48 211 PM	520	260	121,5	303,5	2/193

	D	E	F
GW 48 247	280	280	7
GW 48 251	540	280	7



	D'	E'	G	H
GW 48 267	286	286	67	74
GW 48 271	547	286	67	74

Ai sensi delle Decisioni e delle Direttive Europee applicabili, si informa che il responsabile dell'immissione del prodotto sul mercato Comunitario è:
According to the applicable Decisions and European Directives, the responsible for placing the apparatus on the Community market is:
GEWISS S.p.A. Via A.Volta, 1 IT-24069 Cenate Sotto (BG) Italy Tel: +39 035 946 111 Fax: +39 035 946 270 E-mail: qualitymarks@gewiss.com



+39 035 946 111
 8.30 - 12.30 / 14.00 - 18.00
 lunedì + venerdì - monday + friday



+39 035 946 260



sat@gewiss.com
www.gewiss.com