

Mini / EvoSIGNAL

**Mini TwinLIGHT Combi 24VAC/DC RD**

<b>Part No.:</b>	<b>460.110.75</b>
<b>Series:</b>	<b>EvoSIGNAL</b>

**MECHANICAL DATA**

Height	85 mm
Diameter	62 mm
Materials	PC PC/ABS
Dome colour	Red
Housing colour	Grey
Protection category	IP66
Connection	Push-in terminal
cross-sectional area minimum	0,25mm <sup>2</sup> / 24AWG
cross-sectional area maximum	1,50mm <sup>2</sup> / 16AWG
Type of fixing	Adapter required
Working temperature minimum	-30°C
Working temperature maximum	+60°C
Weight with packaging	100 g
Product weight	78 g

**ELECTRICAL DATA**

Operating voltage	24V
Operating voltage type	AC/DC
Operating voltage frequency	50Hz
Operating voltage tolerance	+/- 10%
Rated operational voltage	24 VDC
Rated operational current	98 mA
Rated inrush current	3000 mA
Protection class	Protection class 2
Pollution degree	3
Overvoltage category	I

**OPTICAL DATA**

Light source	LED
Light colour	Red
Optical signal image	Blink Permanent TwinLight
Blink frequency	1 Hz
Service life optical	50,000 h minimum
Pulse- & pause Duration [ms]	471ON, 489OFF

**ACOUSTIC DATA**

Volume (max) at 1m distance	95,0 dB (A)
-----------------------------	-------------



For additional installation and mounting information, refer to the appropriate user guide at [www.werma.com](http://www.werma.com). This printed copy is for information only and is subject to alteration.

Mini / EvoSIGNAL

## Mini TwinLIGHT Combi 24VAC/DC RD

Acoustic signal image	Continuous tone Pulse tone
Number of tones	2 tone
Audio frequency	4000 Hz
Acoustic service life	5,000 h minimum

### APPROVAL DATA

Conforms with CE	Yes
Conforms with RoHS directive	Yes
WEEE	Yes
Conforms with ATEX-directive	No
Conforms with CCC	No
Conforms with UL	cULus
UL Type Rating	Type 12
Conforms with FCC	No
Conforms with IC	No
EAC certificate available	Yes
Conforms with UKCA (Importer)	Yes (WERMA (UK) Ltd.)
Conforms with AS-I	No
ICAO Certification	No
Conforms with DNV	No
Conforms with RoHS CN	No
Conforms with VdS	No
MTTF-value [years]	502

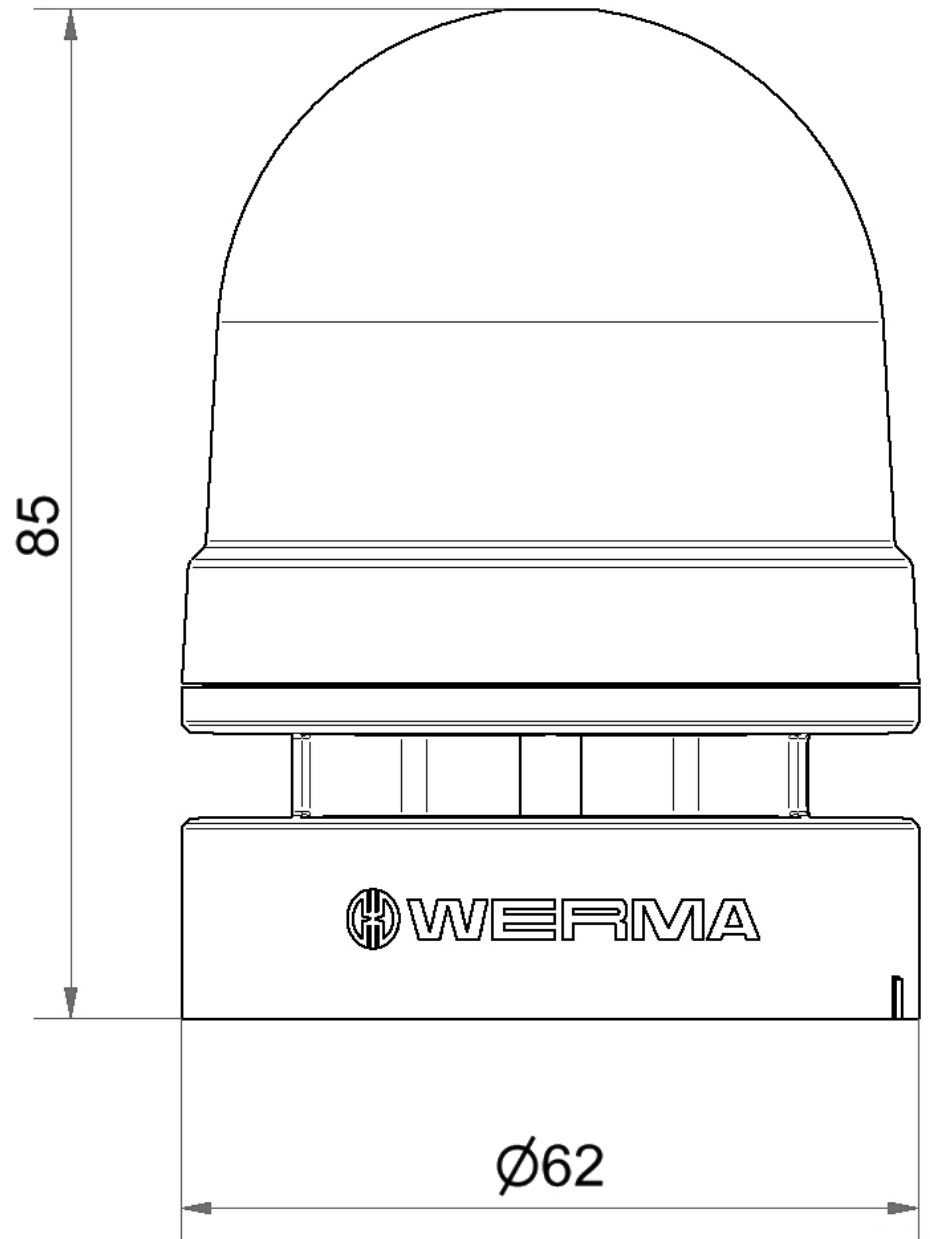


For additional installation and mounting information, refer to the appropriate user guide at [www.werma.com](http://www.werma.com). This printed copy is for information only and is subject to alteration.

Mini / EvoSIGNAL

**Mini TwinLIGHT Combi 24VAC/DC RD**

**DRAWING**



For additional installation and mounting information, refer to the appropriate user guide at [www.werma.com](http://www.werma.com). This printed copy is for information only and is subject to alteration.