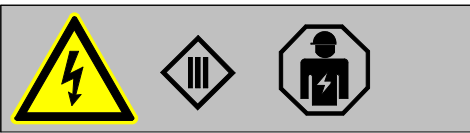
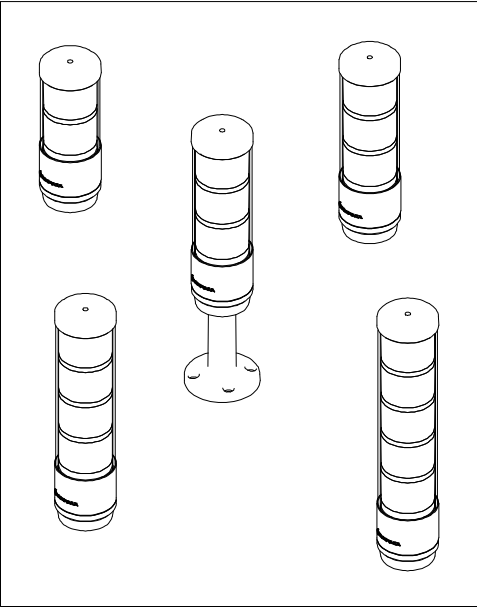
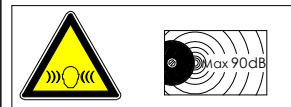
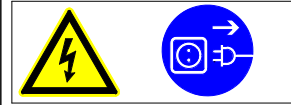


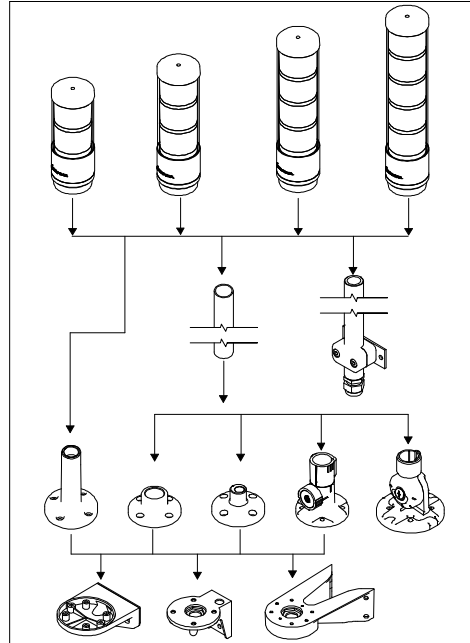
\*-40°C : No buzzer version only



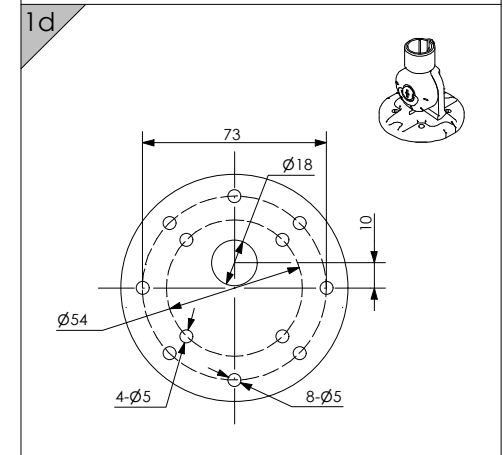
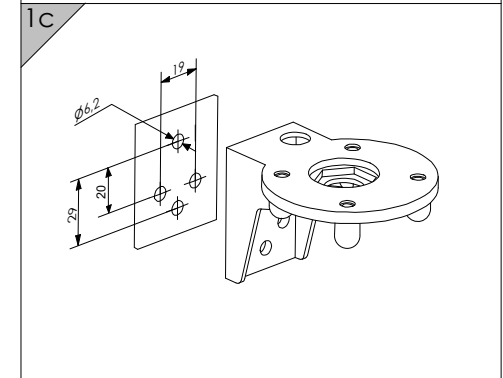
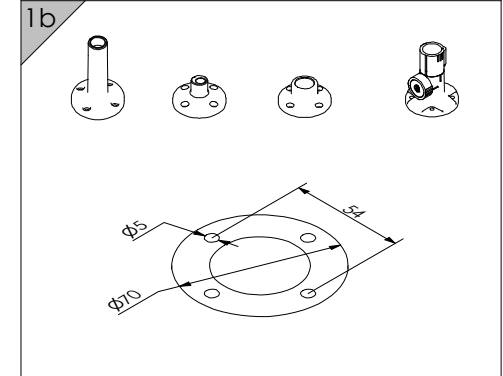
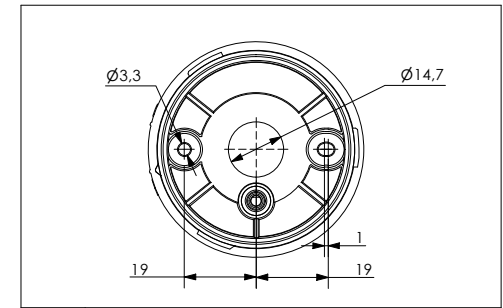
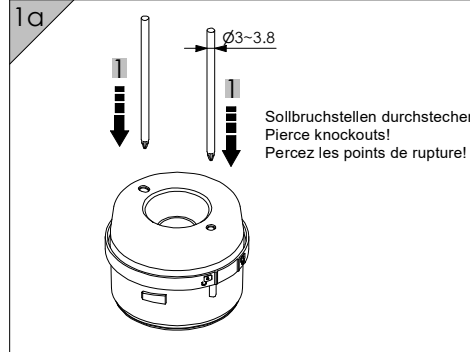
- (D) Anschluss ausschließlich durch ausgebildete Elektro-Fachkräfte.
- (GB) Electrical connection is to be made by trained electrical specialists only .
- (F) Le branchement doit uniquement être effectué par des professionnels.
- (I) Il collegamento deve essere eseguito solo da elettricisti specializzati.
- (E) La conexión sólo debe ser realizada por electricistas debidamente formados.
- (PT) A ligação deve ser feita exclusivamente por profissional elétrico especializado.
- (NL) De aansluiting mag enkel gebeuren door erkende vakmensen.
- (CZ) Připojení smí provádět pouze kvalifikovaný personál.
- (PL) Podłączenie wyłącznie przez specjalistów-elektryków.
- (FI) Liittäminen kuuluu ainoastaan koulutettujen sähköalan ammattilaisten tehtäviin.
- (RU) Подключение проводов только специалистом-электриком.
- (TR) Bağlantı sadece eğitimli elektrik teknisyenleri tarafından yapılmalıdır.
- (CN) 布线需由专业电工执行

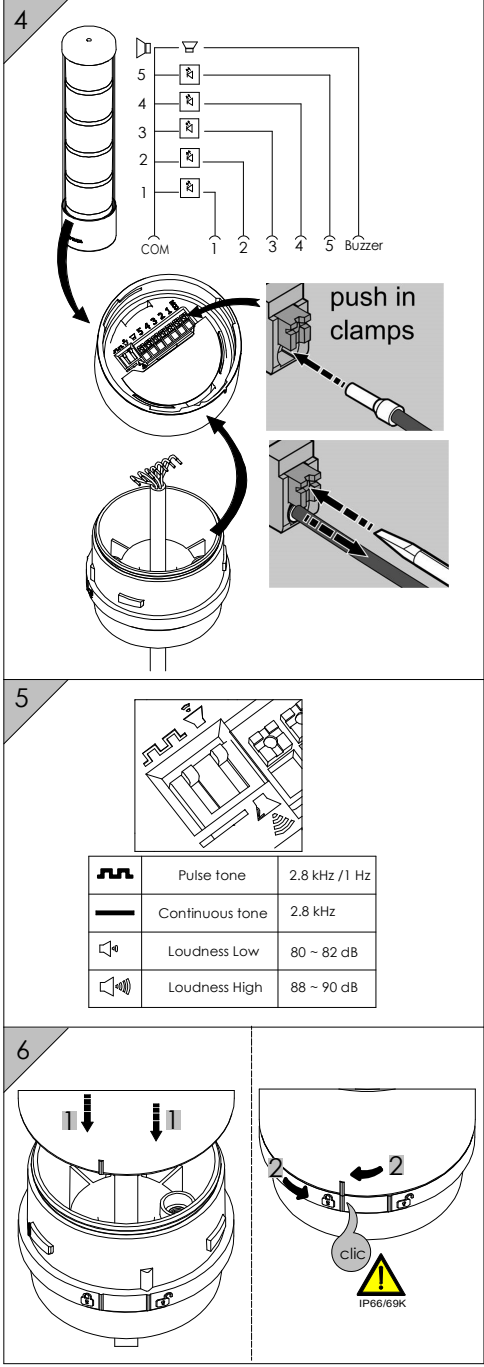
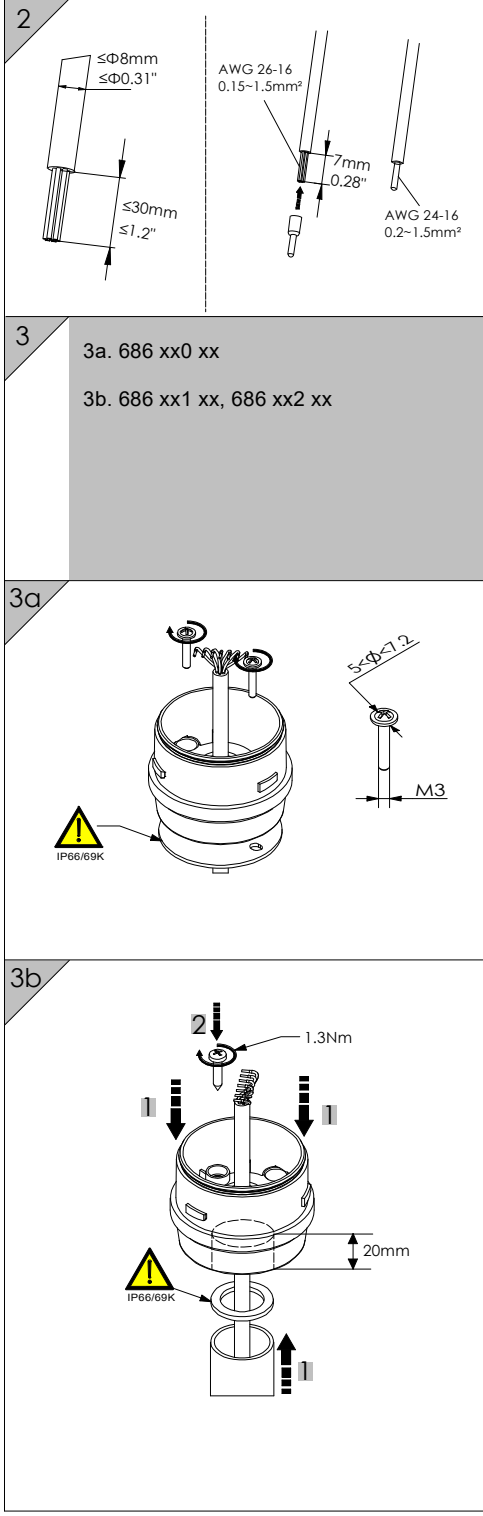


24V=		
	Sound	$I_{max} < 25mA$
	RD	$I_{max} < 25mA$
	GN	$I_{max} < 45mA$
	YE	$I_{max} < 55mA$
	CL	$I_{max} < 45mA$
	BU	$I_{max} < 45mA$



- 1 1a- 686 xx0 xx
- 1b- 975 849 90, 960 000 64, 975 849 91, 975 840 90, 975 849 11, 975 840 91, 960 009 12
- 1c- 960 009 01, 960 000 01
- 1d- 960 009 17, 960 009 19, 960 000 30





150000002574-AE  
310.686.001  
**WERMA**



**Marking of Hazardous Substances**  
**有有害物质标识**

WERMA Signaltechnik GmbH + Co. KG  
Dürbheimer Straße 15  
78604 Rietheim-Weilheim / Germany

WERMA article number 伟马信号标识号:  
**686.260.35, 686.370.35, 686.371.35, 686.480.35, 686.590.35**  
**686.200.35, 686.300.35, 686.301.35, 686.400.35, 686.500.35**

According to the SJ/T 11364-2014 Standard of the People's Republic of China for the Electronic Industry  
本表格依据中华人民共和国 SJ/T 11364-2014 的规定编制

	Pulse tone	2.8 kHz / 1 Hz
	Continuous tone	2.8 kHz
	Loudness Low	80 ~ 82 dB
	Loudness High	88 ~ 90 dB

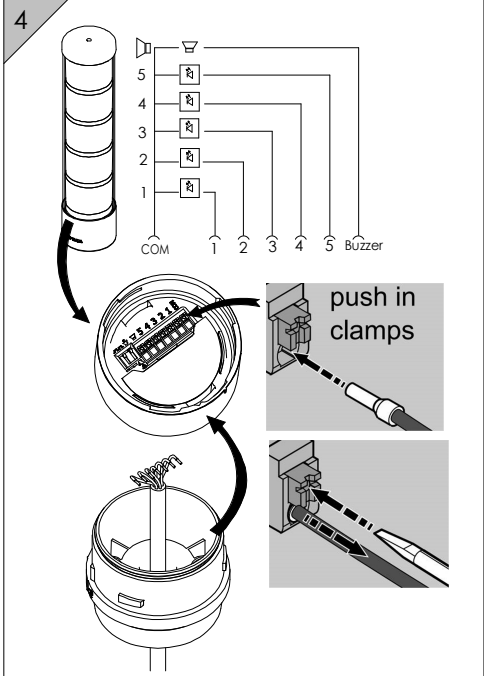


**Marking of Hazardous Substances**  
**有有害物质标识**

WERMA Signaltechnik GmbH + Co. KG  
Dürbheimer Straße 15  
78604 Rietheim-Weilheim / Germany

WERMA article number 伟马信号标识号:  
**686.260.05, 686.370.05, 686.371.05, 686.480.05, 686.590.05**  
**686.200.05, 686.300.05, 686.301.05, 686.400.05, 686.500.05**

According to the SJ/T 11364-2014 Standard of the People's Republic of China for the Electronic Industry  
本表格依据中华人民共和国 SJ/T 11364-2014 的规定编制



**Marking of Hazardous Substances**  
**有有害物质标识**

WERMA Signaltechnik GmbH + Co. KG  
Dürbheimer Straße 15  
78604 Rietheim-Weilheim / Germany

WERMA article number 伟马信号标识号:  
**686.260.05, 686.370.05, 686.371.05, 686.480.05, 686.590.05**  
**686.200.05, 686.300.05, 686.301.05, 686.400.05, 686.500.05**

According to the SJ/T 11364-2014 Standard of the People's Republic of China for the Electronic Industry  
本表格依据中华人民共和国 SJ/T 11364-2014 的规定编制

Component Name 部件名称	Lead 铅(Pb)	Mercury 汞(Hg)	Cadmium 镉(Cd)	Hexavalent Chromium 六价铬(Cr(VI))	Polybrominated biphenyls 多溴联苯(PBB)	Polybrominated diphenyl ethers 多溴二苯醚(PBDE)
Plastic parts 塑料件	0	0	0	0	0	0
Label 标签	0	0	0	0	0	0
PCB and its electronics 印制电路板及其电子元器件	X	0	0	0	0	0
Buzzer 蜂鸣器	X	0	0	0	0	0
Contact spring 接触弹片	0	0	0	0	0	0

This table was developed according to the provisions of SJ/T 11364-2014  
本表格依据 SJ/T 11364-2014 的规定编制

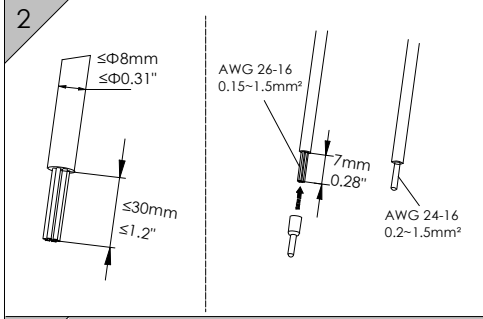
O: The content of such hazardous substance in all homogeneous materials of such component is **below** the limit required by GB/T 26572-2011.  
表示该有害物质在该部件所有均质材料中的含量均在 GB/T 26572-2011 规定的限量要求以下。  
X: The content of such hazardous substance in all homogeneous materials of such component is **beyond** the limit required by GB/T 26572-2011.  
表示该有害物质在该部件的某一均质材料中的含量超出 GB/T 26572-2011 规定的限量要求。  
Enterprises may further explain the technical reasons for flicking "X" in the table above according to their actual situation herein.  
企业可在此处，根据实际情况对上表中打“X”的技术原因进行进一步说明。  
\*Exemptions according to EU RoHS 2011/65 Annex III and IV might be applied  
\*欧盟 RoHS 2011/65 附件 III 和 IV 的豁免可能适用  
■ Restricted substances beyond limit required by GB/T 26572-2011.  
限制物质的含量超过 GB/T26572-2011 限定限制



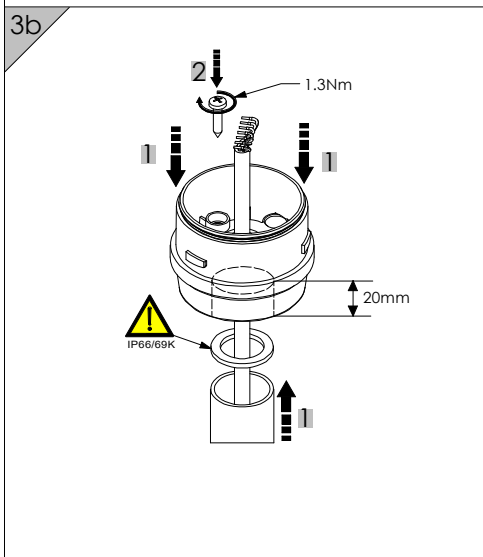
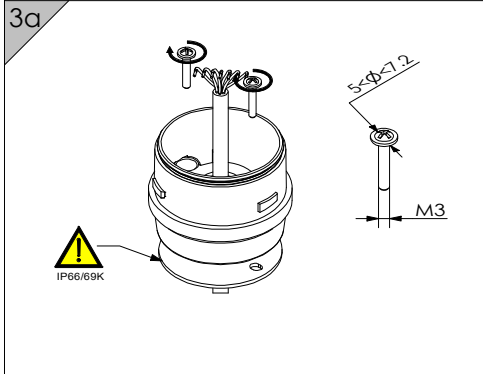
限制物质的含量超过 GB/T26572-2011 限定限制  
EFUP (Environment) Friendly Use Period) 环保使用期限:

Rietheim 里察梅 05.07.2023  
Place and date of issue 签发地和签发日期  
1500.0000.2436 - A8  
1/1

*Kensy*  
ppa. D. Kensy  
Director &D



3  
3a. 686 xx0 xx  
3b. 686 xx1 xx, 686 xx2 xx



Rietheim 里察梅 05.07.2023  
Place and date of issue 签发地和签发日期  
1500.0000.2437 - A8  
1/1

*Kensy*  
ppa. D. Kensy  
Director &D



限制物质的含量超过 GB/T26572-2011 限定限制  
EFUP (Environment) Friendly Use Period) 环保使用期限: