
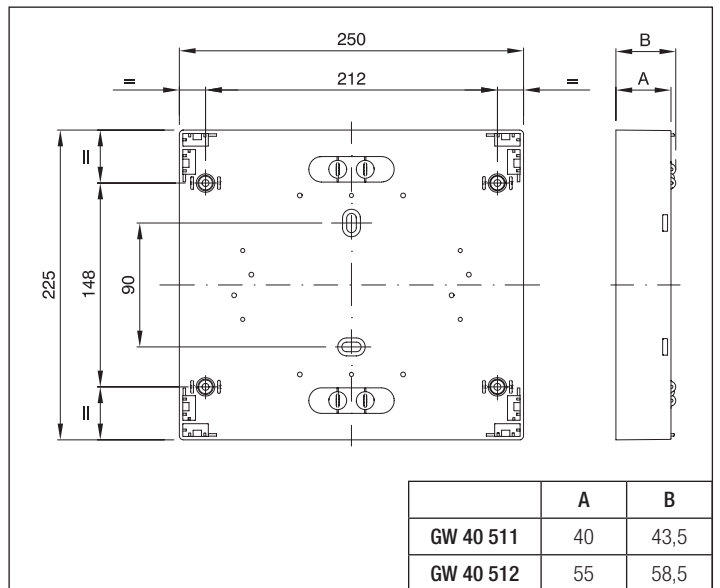
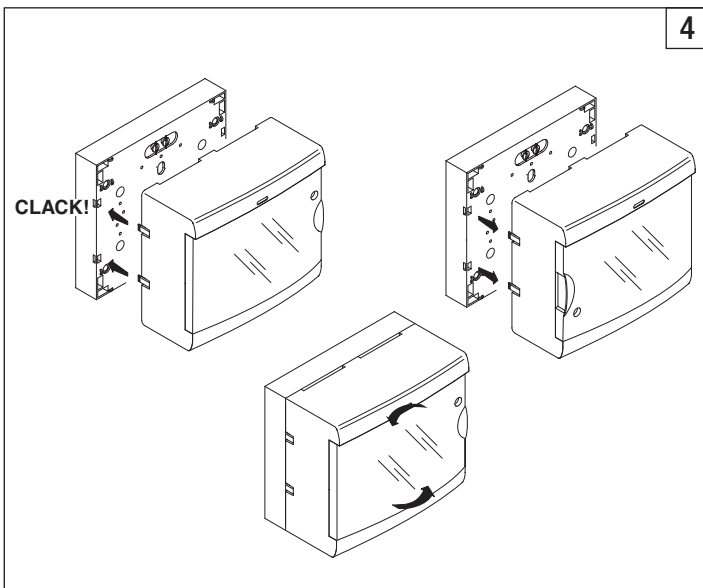
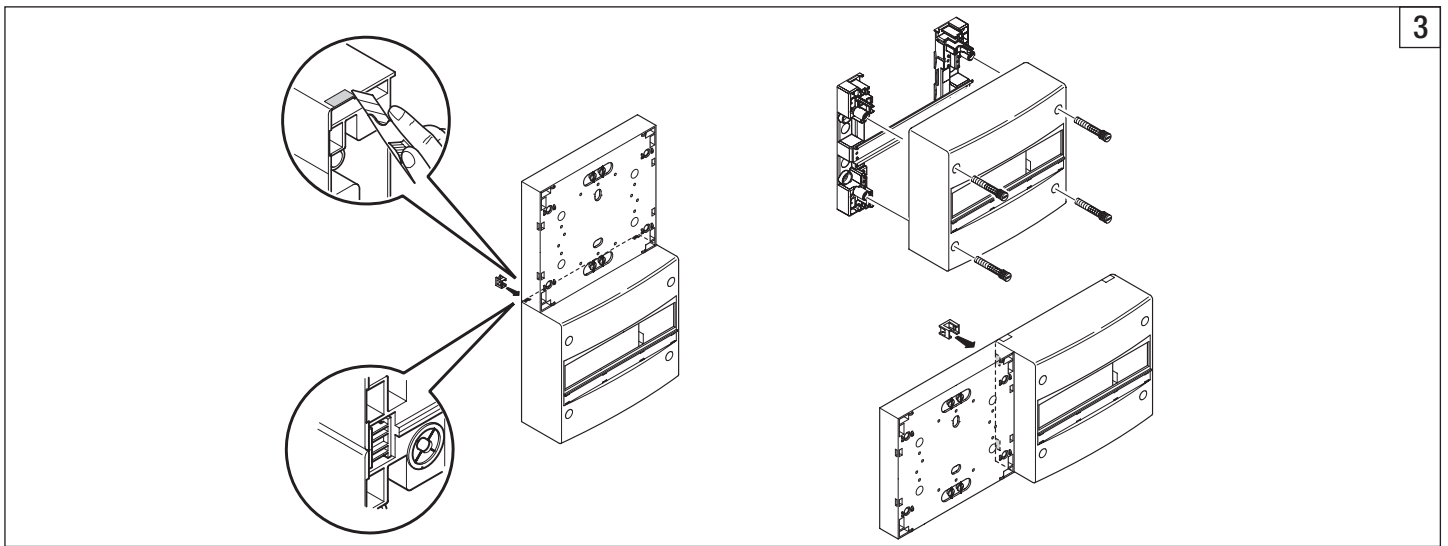
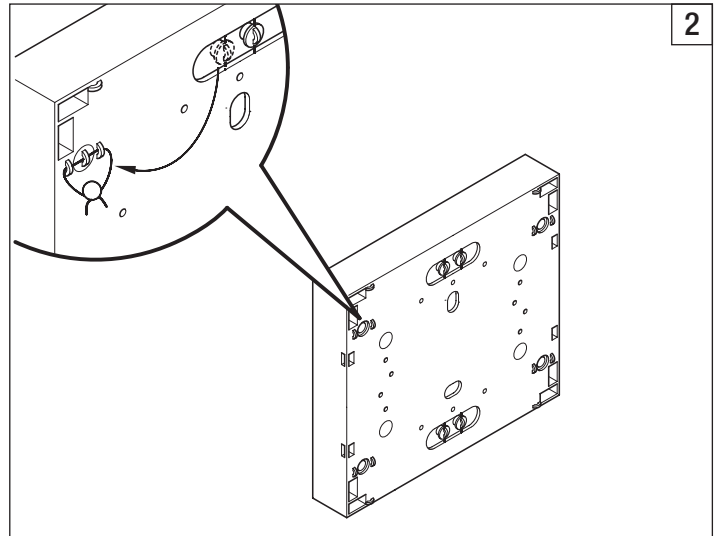
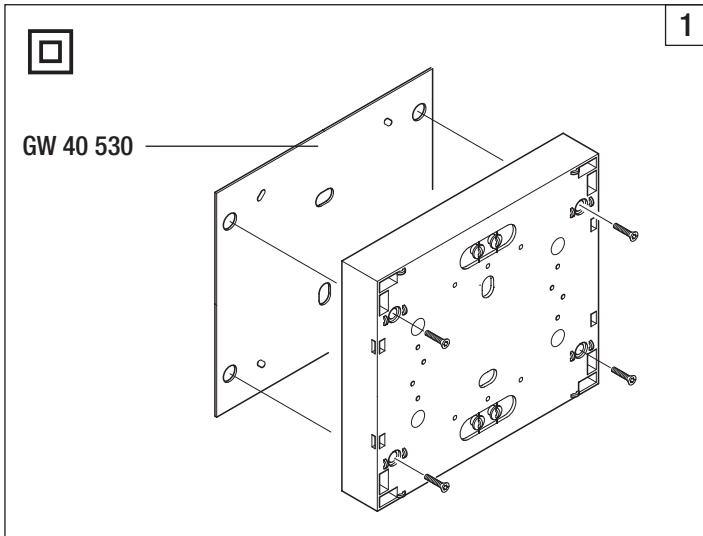


	13DIN	26DIN	39DIN	52DIN
	GW 40 501 250x225x93,5 13M	GW 40 502 250x350x93,5 26M	GW 40 503 250x475x93,5 39M	GW 40 504 250x600x93,5 52M
	GW 40 516 250x225x50	GW 40 517 250x350x50	GW 40 518 250x475x50	GW 40 519 250x600x50
	GW 40 531 250x225x34	GW 40 532 250x350x34	GW 40 533 250x475x34	GW 40 534 250x600x34
	GW 40 536 250x225x34	GW 40 537 250x350x34	GW 40 538 250x475x34	GW 40 539 250x600x34
	GW 40 526 156x216x2	GW 40 527 156x341x2	GW 40 528 156x466x2	GW 40 529 156x591x2
	GW 40 511 250x225x40 GW 40 512 250x225x55			
	GW 40 513 250x225x40 GW 40 414 250x225x55			

	GW 40 541 250x225x83,5		GW 40 546
	GW 40 542 250x225x83,5		GW 40 422
	GW 40 506 250x225x112		GW 40 591 GW 40 592
	GW 40 530 244x219x2		GW 40 593 GW 40 594



Ai sensi delle Decisioni e delle Direttive Europee applicabili, si informa che il responsabile dell'immissione del prodotto sul mercato Comunitario è:
 According to the applicable Decisions and European Directives, the responsible for placing the apparatus on the Community market is:
GEWISS S.p.A. Via A.Volta, 1 IT-24069 Cenate Sotto (BG) Italy Tel: +39 035 946 111 Fax: +39 035 946 270 E-mail: qualitymarks@gewiss.com



+39 035 946 111
 8.30 - 12.30 / 14.00 - 18.00
 lunedì - venerdì - monday - friday



+39 035 946 260



sat@gewiss.com
www.gewiss.com