

Product End of Life Instructions

PowerPact H-frame Molded Case Circuit Breaker with Micrologic™ Trip Unit



⚠ Potential disassembly risks

⚠ DANGER

HAZARD OF ELECTRIC SHOCK, EXPLOSION, OR ARC FLASH

- Apply appropriate personal protective equipment (PPE) and follow safe electrical work practices. See NFPA 70E, CSA Z462, or NOM-029-STPS.
- This equipment must only be installed and serviced by qualified electrical personnel.
- Turn off all power supplying this equipment before working on or inside equipment.
- Always use a properly rated voltage sensing device to confirm power is off.
- Replace all devices, doors and covers before turning on power to this equipment.

Failure to follow these instructions will result in death or serious injury.

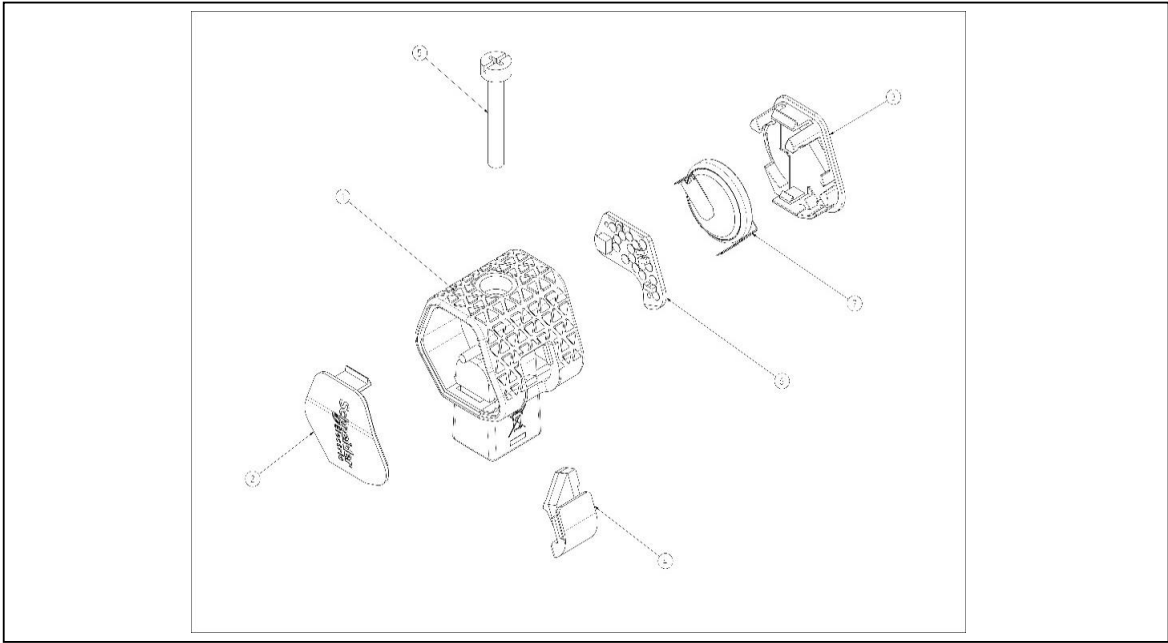
⚠ CAUTION

HAZARD OF PERSONAL INJURY OR EQUIPMENT DAMAGE

Disconnect the protective cover on the front of the Vigi module before performing insulation and dielectric strength tests.

Failure to follow these instructions can result in injury or equipment damage.

🔧 End of Life Instructions



Recommendation	Number on drawing	Component / Material	Weight (in g)	Comment
To be dismantled	7	Battery	2	Lithium Manganese Dioxide; Button; 3V; 125mAh
To be dismantled	6	Electronic Board (Communication) > 10cm²	29.08	Electronic Cards



Product description

Manufacturer identification	Schneider Electric United States
Brand name	SQUARE D
Product function	MOLDED CASE CIRCUIT BREAKER 600V 150A with Micrologic 3.2 trip unit is designed to protect electrical systems from damage caused by overloads and short circuits.
Product reference	HJL36150U31X
Total representative product mass	1665 g
Representative product dimensions	163mm x 104mm x 111mm
Accessories	No
Date of information release	07/2022



Additional information

Legal information	This product family is in the scope of European Union directive 2012/19/EU on Waste Electrical and Electronic Equipment (WEEE). The product family must be disposed according to the legislation of the country. This document is intended for use by end of life recyclers or treatment facilities. It provides the basic information to assure an appropriate end of life treatment for the components and materials of the product.	
In case of special transportation: transportation method	No	
Recyclability potential	40%	Based on "ECO'DEEE recyclability and recoverability calculation method" (version V1, 20 Sep. 2008 presented to the French Agency for Environment and Energy Management: ADEME).

Schneider Electric United States

Country Customer Care Center

<https://www.se.com/us/en/work/support/contacts.jsp>

+1 8773425173

North American Division, Boston One Campus

800 Federal Street

MA 01810, Andover, USA

www.se.com

ENVEOLI2206028_V1

Published by Schneider Electric

© 2019 - Schneider Electric – All rights reserved

07/2022