


70250206	DATA SHEET	
Valid from: 01.12.2021	EPIC® ULTRA H-B 6 AG-LB	

Description

- Housing H-B ULTRA: For more reliability
- Optimum, low resistance 360° screening
- All-purpose due to high corrosion resistance and high environmental protection
- Space-saving due to compact dimensions
- Faster than any other comparable system
- High mechanical resistance



General Characteristics

Series	ULTRA H-B 6
Version	Panel mount base
Locking	Single lever
Protection (DIN EN 60529)	IP 65 (latched)
Protection (NEMA 250, UL50E)	4, 4X, 12 (latched)
Temperature Range	-40°C to +100°C


Materials and Surfaces

Housing	Zinc die-casting, nickel-plated
Lever / Bolt	Stainless steel
Sealing	NBR, conductive

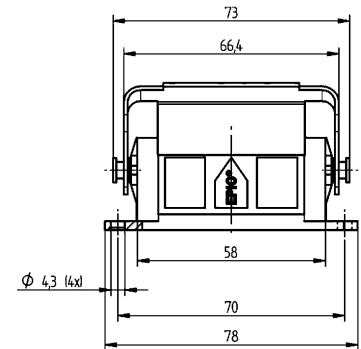
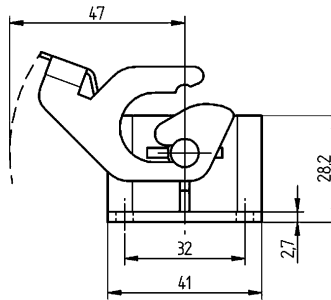
Standard

Safety Standard	ICE 61984
Product Features after	DIN EN 6988, DIN EN ISO 9227, DIN EN 60068-2-52

Creator: MANA2/PDP Released: IVSE1/PDP	Document: DB70250206EN Version: 02	Page 1 of 3
---	---------------------------------------	-------------

70250206	DATA SHEET	
Valid from: 01.12.2021	EPIC® ULTRA H-B 6 AG-LB	

Technical Drawings



Good chemical resistance



Corrosion resistant



Installation time



Required space



Robust




Connectors with standart housing



Waterproof

Creator: MANA2/PDP Released: IVSE1/PDP	Document: DB70250206EN Version: 02	Page 2 of 3
---	---------------------------------------	-------------

70250206	DATA SHEET	
Valid from: 01.12.2021	EPIC® ULTRA H-B 6 AG-LB	

Info

EMC protection, corrosion-resistant

Application range

In EMC-sensitive environments

For fixed and flexible applications (e.g. machinery building, wind tribunes)

Construction machinery

Electric motor manufacturing

Product features

Housing pluggable with standart housing

Corrosion resistant according to DIN EN 6988

Resistance to cyclic salt spray is tested according to DIN EN 60068-2-52, severity level 2

Salt spray testing according to DIN EN ISO 9227, method NSS, period of test 480 hours

Remark

Photographs are not to scale and do not represent detailed images of the respective products.

Creator: MANA2/PDP Released: IVSE1/PDP	Document: DB70250206EN Version: 02	Page 3 of 3
---	---------------------------------------	-------------