

# 25M CMOS CameraLink 30.72fps Global Shutter

NEW

## STC-GPB250BPCL 【Monochrome】

## STC-GPC250BPCL 【Color】

Gpixel CMOS 25MP Camera Link  
25M High Definition with Max 30.72fps  
Power over Camera Link Capable



### Product Features

- 5120 (H) x 5120 (V)
- 2.5  $\mu\text{m}$  x 2.5  $\mu\text{m}$
- 30.72 fps
- 1.1"
- Lens Mpunt:C
- Global Shutter
- 35 x 35 x 42.2mm(connector excluded)



## Specifications

Model Number	: STC-GPB250BPCL ( Monochrome ) STC-GPC250BPCL ( Color )
Image Sensor	: 1.1" 25M CMOS ( Gpixel : GMAX0505 )
Shutter Type	: Global shutter
Effective Picture Resolution	: 5120 (H) x 5120(V)
Cell Size	: 2.5 (H) x 2.5 (V) $\mu\text{m}$
Scanning Mode	: Full scanning / ROI
Maximum Frame Rate	: 30.72 fps ( 10TAP / 84.857MHz ) 25.06 fps ( 8TAP / 84.857MHz ) 12.66 fps ( 4TAP / 84.857MHz ) 9.52 fps ( 3TAP / 66MHz ) 6.35 fps ( 2TAP / 84.857MHz )
ADC Bits	: 10bits / 12bits
Image Output	: 8 bits / 10bits / 12bits 出力
Camera Link Data Output	: Deca / Full / Medium / Base Configuration
TAP Configuration	: 10TAP / 8TAP / 4TAP / 3TAP / 2TAP
Clock Speed	: 84.857 MHz / 66 MHz / 39.6 MHz
Noise Level	: Less than 4 digits ( Gain 0 dB / 8bits Output ) Less than 16 digits ( Gain 0 dB / 10bits Output ) Less than 64 digits ( Gain 0 dB / 12bits Output )
Sensitivity	: 490 Lux ( Monochrome ) 950 Lux ( Color )
Exposure Time	: 14 $\mu$ seconds to 16.777 seconds
Analog Gain	: Fixed
Digital Gain	: x1 to x5
Black Level	: 0 to 63 digits ( 8bitsOutput ) 0 to 252 digits ( 10bitsOutput ) 0 to 1008 digits ( 12bitsOutput )
White Balance Gain	: Support * Color model only
Multi ROI	: Eight regions, One width applies to all eight regions.
Gamma	: N/A
Binning	: 2 x 2 / 4 x 4 / Off * Monochrome model only
Decimation	: 2 x 2 / 4 x 4 / Off
FFC	: 32 x 32 block FFC
Mirror Image	: Horizontal / Vertical / Horizontal and Vertical / Off
Pixel Defect Correction	: Up to 2,046 points
Auto Exposure	: N/A
Auto Gain	: N/A
Auto White Balance	: N/A
Operating Mode	: Edge preset trigger / Pulse width trigger / Free-run (continuous)
Save User Mode	: Support
I/O Ports	: 4 IOs
Input Voltage	: +12 Vdc +/- 10 % (PoCL Support)
Consumption	: Maximum: 4.0 W, Typical: 3.5 W
Dimensions	: 35 (W) x 35 (H) x 42.2 (D) mm ( Excluding the connectors )
Optical Filter	: No Optical Filter

Note: Do not use this document to operate the Unit.

OMRON Corporation Industrial Automation Company  
Kyoto, JAPAN

Contact: [www.ia.omron.com](http://www.ia.omron.com)

Regional Headquarters  
OMRON EUROPE B.V.  
Wegalaan 67-69, 2132 JD Hoofddorp  
The Netherlands  
Tel: (31)2356-81-300/Fax: (31)2356-81-388

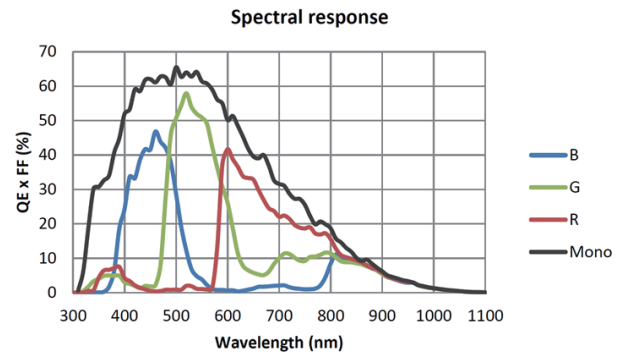
OMRON ASIA PACIFIC PTE. LTD.  
No. 438A Alexandra Road # 05-05/08 (Lobby 2),  
Alexandra Technopark,  
Singapore 119967  
Tel: (65) 6835-3011/Fax: (65) 6835-2711

OMRON ELECTRONICS LLC  
2895 Greenspoint Parkway, Suite 200  
Hoffman Estates, IL 60169 U.S.A.  
Tel: (1) 847-843-7900/Fax: (1) 847-843-7787

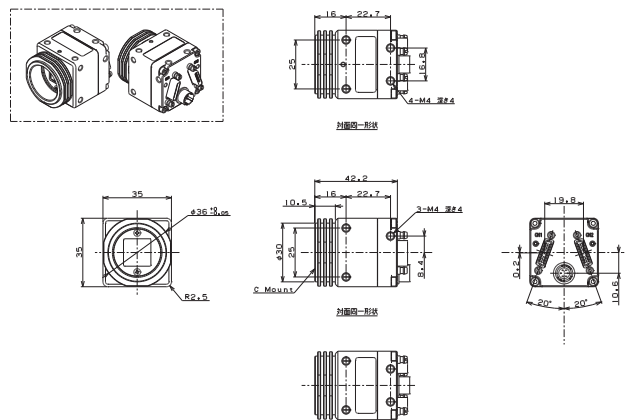
OMRON (CHINA) CO., LTD.  
Room 2211, Bank of China Tower,  
200 Yin Cheng Zhong Road,  
PuDong New Area, Shanghai, 200120, China  
Tel: (86) 21-5037-2222/Fax: (86) 21-5037-2200

Lens Mount	: C Mount
Camera Link connector	: SDR connector x 2
Power/IO connector	: HR10A-7R-6PB (Hirose) or equivalent x 1
Camera Mounting	: M4 screws holes (Four on top, bottom, three on both side plates)
Weight	: Approximately 77 g

## Spectral Sensitivity

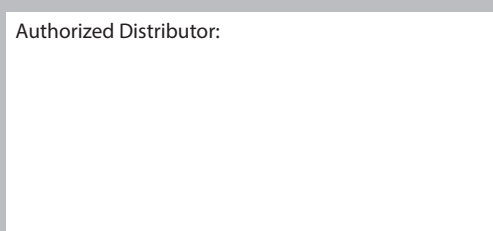


## Dimensions



- Camera Link and PoCL are trademarks of AIA (Automated Imaging Association).
- Other company names and product names in this website are either registered trademarks or trademarks of their respective owners.

Authorized Distributor:



© OMRON Corporation 2021 All Rights Reserved.  
In the interest of product improvement,  
specifications are subject to change without notice.

Cat. No. Q337-E1-01

0321 (0321)