



MASTERColour CDM-TC Elite

MASTERC CDM-TC Elite 35W/942 G8.5 1CT

Compact, single-ended, very high-efficiency, long-life ceramic metal-halide discharge lamp producing crisp white sparkling light with high color rendering

Warnings and Safety

- Use only in totally enclosed luminaire, even during testing (IEC61167, IEC 62035, IEC60598)
- The luminaire must be able to contain hot lamp parts if the lamp ruptures
- Use only with electronic control gear
- Control gear must include end-of-life protection (IEC61167, IEC 62035)
- A lamp breaking is extremely unlikely to have any impact on your health. If a lamp breaks, ventilate the room for 30 minutes and remove the parts, preferably with gloves. Put them in a sealed plastic bag and take it to your local waste facilities for recycling. Do not use a vacuum cleaner.

Product data

Operating and Electrical		Chromaticity Coordinate X (Nom)		0.371	
Power Consumption		39.1 W	Chromaticity Coordinate Y (Nom)		0.366
Voltage (Nom)		91 V	Correlated Color Temperature (Nom)		4200 K
Voltage (Nom)		91 V	Luminous Efficacy (rated) (Nom)		97 lm/W
		Color rendering index (CRI)		90	
General Information		Controls and Dimming			
Cap-Base		G8.5 [G8.5]	Dimmable		No
Operating Position		UNIVERSAL [Any or Universal (U)]	Mechanical and Housing		
Flux measurement reference		Sphere	Bulb Finish		Clear
		Bulb Shape		T14 [T 14 mm]	
Light Technical					
Color Code		942 [CCT of 4200K]			
Luminous Flux		3,800 lumen			
Color Designation		Cool White (CW)			

MASTERC colour CDM-TC Elite

Approval and Application

Mercury (Hg) Content (Max)	4.9 mg
Mercury (Hg) Content (Nom)	4.9 mg
Energy Consumption kWh/1000 h	40 kWh
EPREL Registration Number	473,274

Product Data

Full product code	871829116366400
Order product name	MASTERC CDM-TC Elite 35W/942 G8.5 1CT

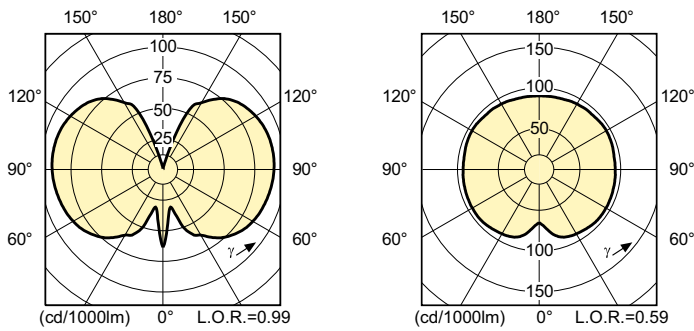
Order code	928193805131
Numerator - Quantity Per Pack	1
Numerator - Packs per outer box	12
Material number (12NC)	928193805131
Full product name	MASTERC CDM-TC Elite 35W/942 G8.5 1CT
EAN/UPC - Case	8718291163671

Dimensional drawing

. D .

Product	D (max)	O	L (min)	L (max)	L	C (max)
MASTERC CDM-TC Elite 35W/942 G8.5 1CT	15 mm	5.2 mm	51 mm	53 mm	52 mm	85 mm

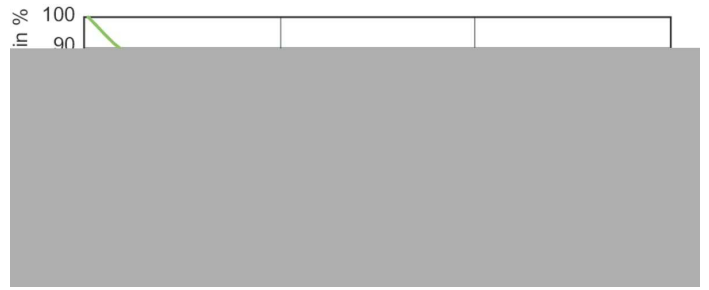
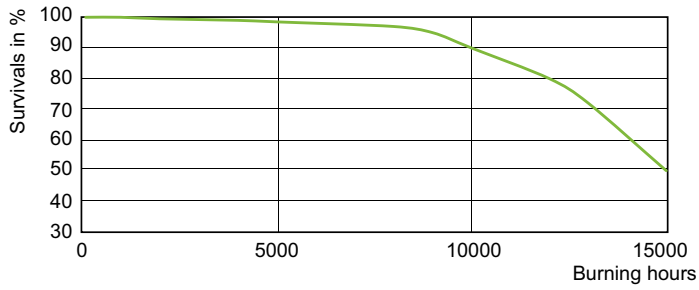
Photometric data



Light Distribution Diagram - MASTERC CDM-TC Elite 35W/942 G8.5 1CT

MASTERC colour CDM-TC Elite

Lifetime



Life Expectancy Diagram - MASTERC CDM-TC Elite 35W/942 G8.5 1CT

Lumen Maintenance Diagram - MASTERC CDM-TC Elite 35W/942 G8.5 1CT

