



MASTER LEDspot ExpertColor LV



MAS LED ExpertColor 6.7-35W MR16 930 24D

MASTER LEDspot LV ExpertColor creates a warm and comfortable ambience for hospitality venues, homes and restaurants. It creates such an ambience with superior lighting that has a customized spectrum, high CRI, and deep dimming feature. The result? A beautiful lighting experience. What's more, the innovative, trimless lens design will suit almost any interior decor with its clean and neat look. In addition, you can take advantage of the full ExpertColor family, which also includes LEDspot MV and LEDspot Par lamps.

Product data

General Information		Luminous Flux in 90° Cone (Rated)	
Cap-Base	GU5.3		440 lm
Nominal lifetime	40,000 hour(s)	Photobiological safety according to EN 62471 RG1	
Switching Cycle	50,000	Operating and Electrical	
Lighting Technology	LED	Line Frequency	- Hz
Flux measurement reference	Narrow Cone	Input Frequency	- Hz
		Power Consumption	6.7 W
		Lamp Current (Nom)	650 mA
		Wattage Equivalent	35 W
		Starting Time (Nom)	0.5 s
		Warm-up time to 60% light	0.5 s
		Power Factor (Fraction)	0.7
		Voltage (Nom)	ac electronic 12 V
Light Technical		Temperature	
Color Code	930 [CCT of 3000K]	T-Case Maximum (Nom)	92 °C
Beam Angle (Nom)	24 degree(s)		
Luminous Flux	440 lm		
Luminous Intensity (Nom)	2,200 cd		
Color Designation	White (WH)		
Correlated Color Temperature (Nom)	3000 K		
Luminous Efficacy (rated) (Nom)	65.00 lm/W		
Color Consistency	<3		
Color rendering index (CRI)	97		
LLMF At End Of Nominal Lifetime (Nom)	70 %		

MASTER LEDspot ExpertColor LV

Controls and Dimming

Dimmable	Only with specific dimmers
----------	----------------------------

Mechanical and Housing

Bulb Shape	MR16
Net Weight (Piece)	0.052 kg

Approval and Application

Energy Efficiency Class	G
Suitable For Accent Lighting	Yes
Energy Consumption kWh/1000 h	7 kWh
EPREL Registration Number	624214
CE mark	Yes
EU RoHS compliant	Yes
EyeComfort	Yes

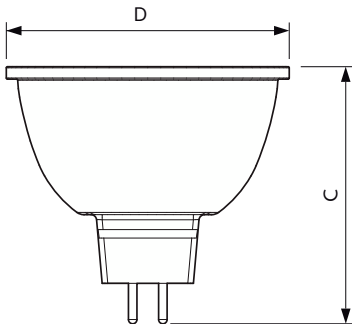
Application Conditions

can it be used in closed luminaires	No
-------------------------------------	----

Product Data

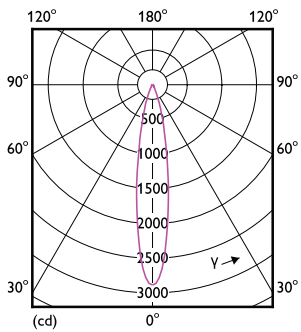
Order product name	MAS LED ExpertColor 6.7-35W MR16 930 24D
Full product name	MAS LED ExpertColor 6.7-35W MR16 930 24D
Full product code	871951435855300
Order code	929003079202
Material Nr. (12NC)	929003079202
Numerator - Quantity Per Pack	1
EAN/UPC - Product/Case	8719514358553
Numerator - Packs per outer box	10
EAN/UPC - Case	8719514358560

Dimensional drawing

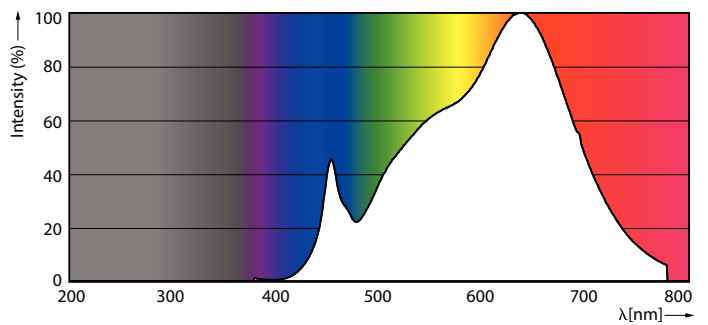


Product	D	C
MAS LED ExpertColor 6.7-35W MR16 930 24D	50.5 mm	46 mm

Photometric data



Light Distribution Diagram - MAS LED ExpertColor 6.7-35W MR16 930 24D



Spectral Power Distribution Colour - MAS LED ExpertColor 6.7-35W MR16 930 24D

