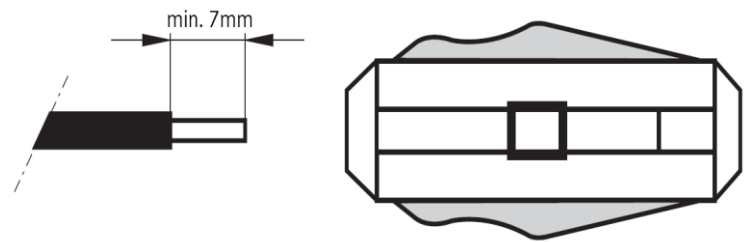


29150098	INSTRUCTION SHEET
Valid from: 07.09.2018	POF Connector F05 Simplex /50ST

Assembly

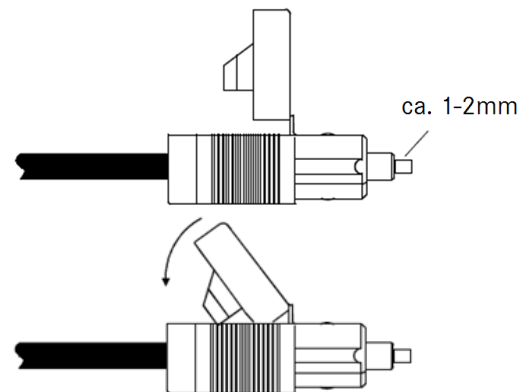
1) Fibre stripping

Strip off min. 7mm of outer jacket of the POF-cable



2) Connector mounting

Insert stripped POF-cable from backside into connector until mechanical stop reached.
Fibre should protrude ca. 1-2mm.



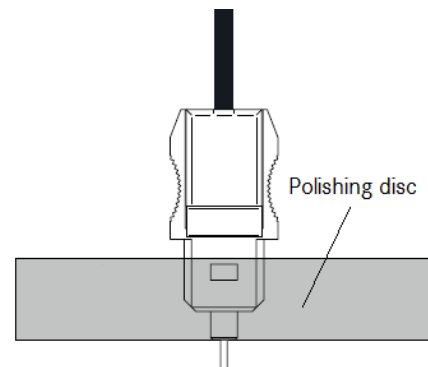
Press down latch into connector body until a hearable sound signals correct connector-to-cable fixation.

3) Polishing

Insert connector completely into polishing disc.

Press down polishing disc on polish film (P1000).

Polish the fibre until fibre is even to bottomside of polishing disc.



Recommended tools

Article	Description
29500011	POF BUFFERED FIBRE STRIPPER 2.2 MM
29500035	POLISHING DISC POF F05 CONNECTOR
29500021	POLISHING FILM GRAINING SIZE 1000 (BL)