

Product End-of-Life Instructions

Product Range: ION 7550 and 7650 Series Digital Power Meters

Marketing Model/Name: (7550, 7650, 7550 RTU, 7650 RTU, 7550 Tran, 7650 Tran)

List of models covered by this EoLI (all commercial references beginning with M7550, M7650, S7550, S7650, P7550, P7650)

Purpose:

The product family must be disposed according to the legislation of the country. This document i75500 intended for use by end of life recyclers or treatment facilities. It provides the basic information to assure an appropriate end of life treatment for the components and materials of the product.

Note :

This product family is not in the scope of EU directive 2002/96/EC, Waste Electrical and Electronic Equipment (WEEE).

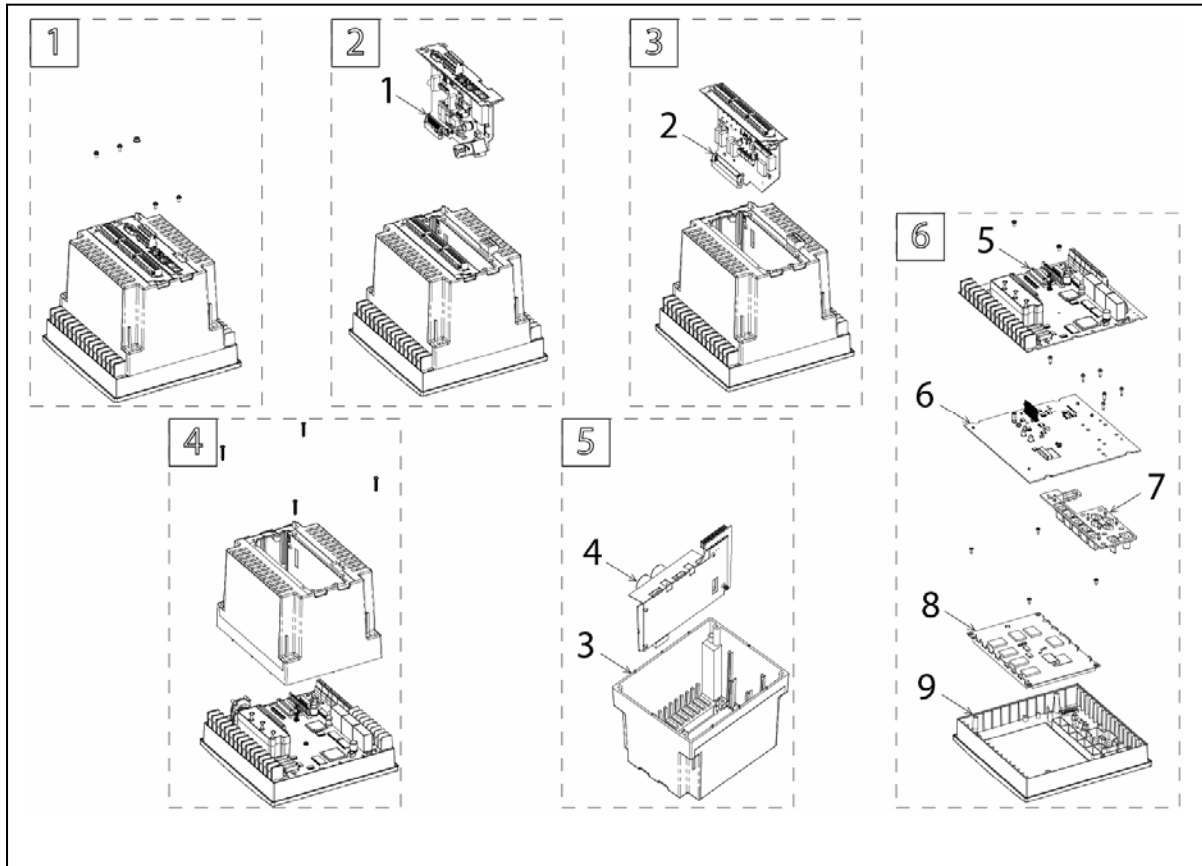


Operations recommended for the end of life treatment

There are several steps to process the products at the end of life so as to recover components, materials or energy :
Reuse → Separation for special treatment → Other dismantling → Shredding.

The components of the products that optimize the recycling performances are listed, identified and located hereunder.

The product contains capacitors which may cause an electrical shock. Before operating, remove all power and wait 15 minutes so as to discharge these capacitors.



Use the appropriate items and suppress the others.

Recommendation	Number on drawing	Components	Weight (g)	Comment
Dismantling for depollution	1	Communications Card	153	PCBA
	2	I/O Card	147	PCBA
	3	Rear Housing	334	Polycarbonate
	4	Power Supply	268	PCBA – large electrolytic capacitors
	5	CPU Board	605	PCBA
	6	Display Board	133	PCBA
	7	Button Assembly	37	Elastomer
	8	LCD Display	181	
	9	Front Bezel	186	Polycarbonate

Schneider Electric SA
43-45, boulevard Franklin Roosevelt
F-92500 Rueil-Malmaison Cedex (France)
Tel.: +33 (0) 1 41 29 70 00
www.schneider-electric.com

The version of the Guide used to create the document: End of Life
Instruction Drafting Guide of Schneider Electric version V0

ENVEOLI111006EN

Publication date : 09/12/2012