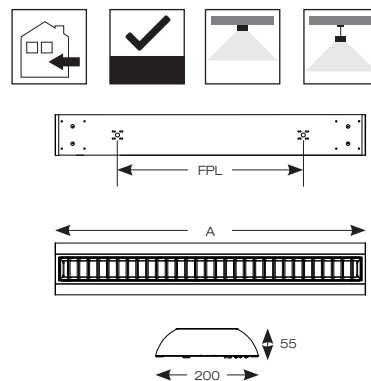


Crescent CCT Surface/Suspended Linear

- High specification fully enclosed linear luminaire suitable for most commercial and educational applications
- Steel powder coated body for enhanced durability
- Polycarbonate diffuser and polished louvre for excellent photometric performance
- Integral switches for multiple wattages and selectable CCT
- CCT selectable between 3000K and 4000K
- Suitable for surface mounting and suspension
- Powered by Philips



INPUT	HERTZ	TEMP	LIFETIME (HRS)	CRI	SDCM	BEAM ANGLE	CLASS	IP
220-240V	50/60Hz	-20°C to 50°C	L70 54,000	Ra 80	3	80°	1	IP20

CODE	DESCRIPTION	WATTAGE	CCT	LUMENS	LM/W	UGR	A	FPL	TRADE
ACRESLED4	1 x 1200 - CCT Selectable	21-35W	3000K/4000K	3100-4900 lm (4000K)	146-139lm (4000K)	18	1200mm	600mm	£189.00
ACRESLED5	1 x 1500 - CCT Selectable	34-40W		4900-5600lm (4000K)	143-139lm (4000K)		1500mm	900mm	£233.00

* UGR Value based on (4H - 8H)

CODE (OPTIONS)	DESCRIPTION	TRADE	CODE (OPTIONS)	DESCRIPTION	TRADE
/M3	Emergency	+ £90.00	/DM3	DALI Emergency	+ £205.00
/SM3	Self-Test Emergency	+ £121.00	/DD	Digital Dimming (DD1/DD3/DD4)	+ £95.00

CODE (ACCESSORIES)	DESCRIPTION	TRADE
ASK1	Suspension Kit 1.3m	£33.70