

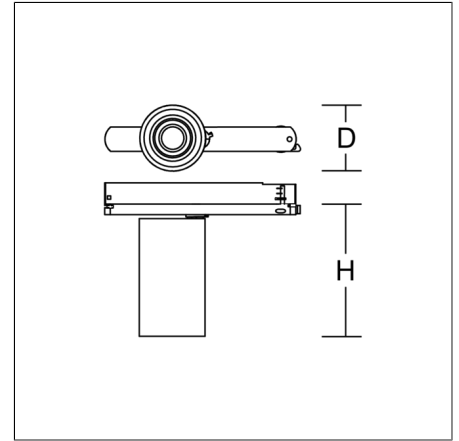
DEECOS S mini track-in

742256.003.2.76 | Surface mounted projector



Surface mounted projectors
4051859813682
D 87, H 135

Track on ceiling, Wall track
deep black, matt (RAL 9005)

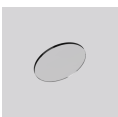


LED surface-mounted projector in modern design with no visible cooling ribs. Housing: die-cast aluminium, powder-coated. Rotation range: 356°. Swivel range: 90°. Black plastic ring and recessed LED to prevent glare from the side. Optical assembly with lens made of plastic (polycarbonate) for the best homogeneous light distribution - can be changed without tools. Best colour rendering index Ra>90. With adapter for RZB 3-circuit DALI tracks. Suitable for Track on ceiling, Wall track. Track-in driver integrated into the adapter. High quality converter without flickering and stroboscopic effect. The following accessories can be mounted without use of tools: interchangeable lenses, decorative glasses, honeycomb louvre, clear and frosted diffusers, white interchangeable plastic ring.

Product specifications

Diameter D	87 mm
Height H	135 mm
Weight	0.62 kg
Light source	LED
Colour temperature	2700 K
Rated luminous flux	2150 lm
System power	20 W
System efficiency	108 lm/W
Glare evaluation UGR (4H 8H)	25,2
Beam angle	72°
Rated life	50000 h (L90/B10)
Colour rendering index (CRI)	92
Colour tolerance	2
Photobiological safety according to EN 62471	Risk group 1
Driver	Converter, dimmable
Control	DALI
Voltage	220 - 240 V / 50 - 60 Hz
Luminaires on B16A fuse	27
Luminaires on C16A fuse	44
Inrush current / Inrush current duration	18 A / 2 µs
CIE Flux Code / CEN Flux Code	80 99 100 100 100
Type of protection	IP 20
Protection class	II
Filament test	650°C - 30 seconds
Impact resistance	IK06
Ambient temperature	25 °C
Conformity mark	CE, EAC

Accessories



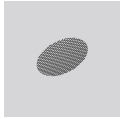
982370.000
Diffuser, transparent



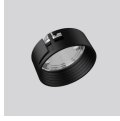
982370.010
Diffuser, satinated

DEECOS S mini track-in

742256.003.2.76 | Surface mounted projector



982371.003
Anti-glare honeycomb louvre



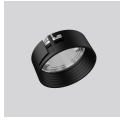
982369.013
Medium lens



982421.002
White plastic ring for lens.



982368.013
Reflector medium



982369.033
Wide flood lens



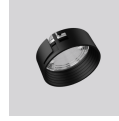
982419.002
White plastic ring for reflector.



982647.002
Decorative glass opal matt



982369.003
Spot lens



982369.023
Flood lens



982368.003
Reflector spot



982368.023
Reflector flood



982369.043
Oval corridor lens



982368.033
Reflector wide flood



982648.002
Decorative glass opal matt