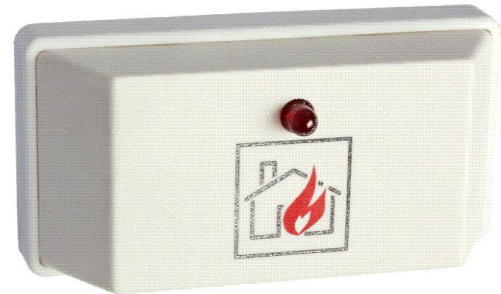


NLY-91200 Remote indicator

The NLY-91200 Remote indicator is used to indicate detector alarm state in installations where the detector is not visible.



Electrical connections

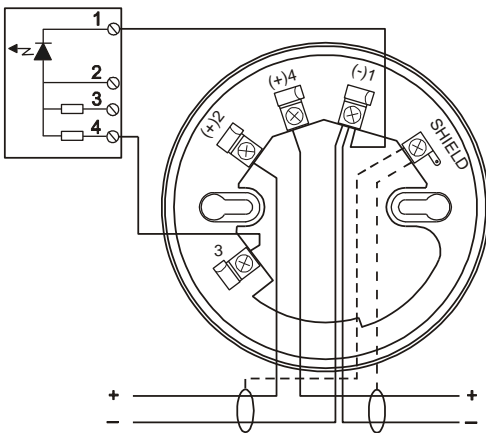


Fig. 1 NLY-91200 connected to B501AP detector base

NLY-91200 Remote indicator

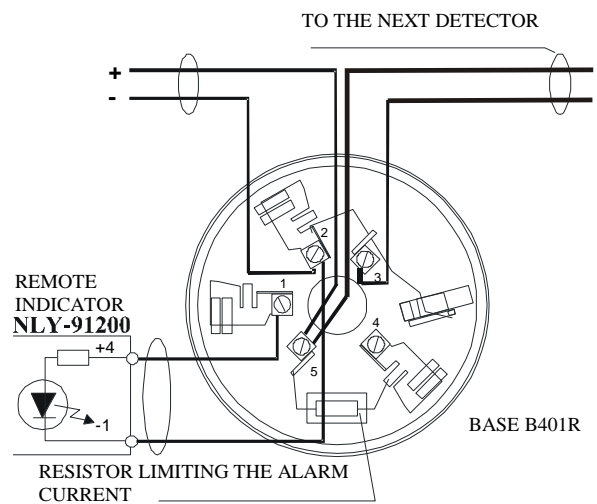


Fig. 3 NLY-91200 connected to B401R detector base

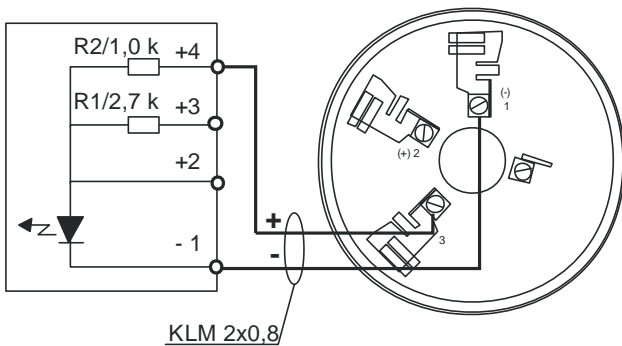


Fig. 2 NLY-91200 connected to B501 detector base

Technical data

Technical data	
Max Operating voltage	Connectors (-1 and +4) 27V Connectors (-1 and +3) 12V
Max current	12 mA
Dimensions (mm)	
L x W x H	87 x 43 x 30
Weight	34 g
Colour	White
Material	Plastic
IP Rating	IP20
Product code	
NLY-91200	FFS0043 1200

Schneider Electric reserves the right to modifications.