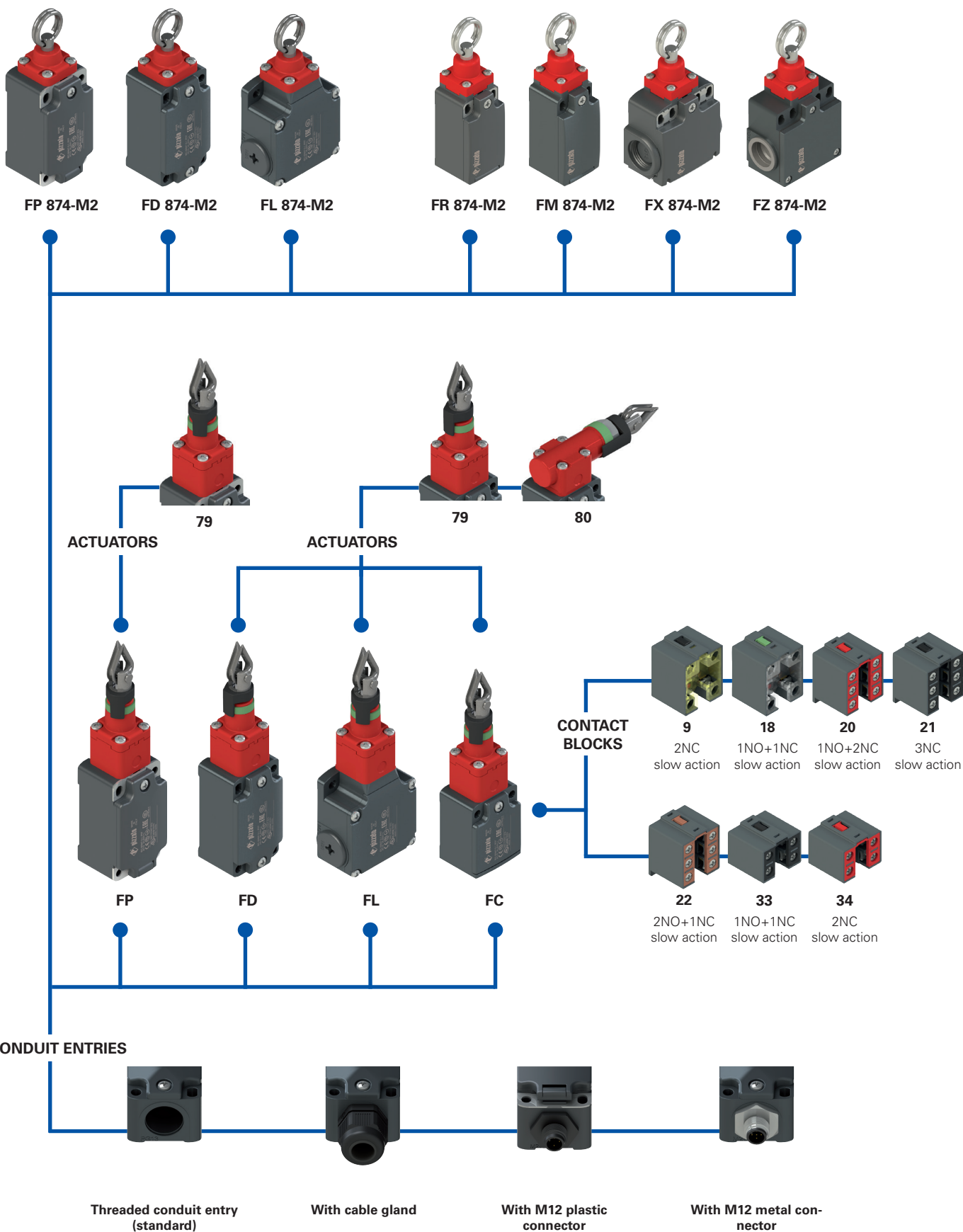


Selection diagram



—●— Product options



**Code structure** **Attention!** The feasibility of a code number does not mean the effective availability of a product. Please contact our sales office.

article options options  
**FD 1879-E7GM2K50T6**

Housing	
<b>FD</b>	metal, one conduit entry
<b>FL</b>	metal, three conduit entries
<b>FP</b>	technopolymer, one conduit entry

Contact block	
<b>9</b>	2NC, slow action
<b>18</b>	1NO+1NC, slow action
<b>20</b>	1NO+2NC, slow action
<b>21</b>	3NC, slow action
<b>22</b>	2NO+1NC, slow action
<b>33</b>	1NO+1NC, slow action
<b>34</b>	2NC, slow action

Actuating head	
<b>79</b>	longitudinal head
<b>80</b>	transversal head (FD-FL housing only)

Actuating force	
	standard
<b>E7</b>	initial 20 N...final 40 N (only head 79)
<b>E9</b>	initial 13 N...final 75 N (only head 80)

Ambient temperature	
	-25°C ... +80°C (standard)
<b>T6</b>	-40°C ... +80°C

Pre-installed cable glands or connectors	
	no cable gland or connector (standard)
<b>K23</b>	cable gland for cables Ø 6 ... 12 mm
...	...
<b>K50</b>	M12 metal connector, 5-pole
...	...

For the complete list of possible combinations please contact our technical department.

Threaded conduit entry	
<b>M2</b>	M20x1.5 (standard)
	PG 13.5

Contact type	
	silver contacts (standard)
<b>G</b>	silver contacts with 1 µm gold coating
<b>G1</b>	Silver contacts, 2.5 µm gold coating (not for contact blocks 20, 21, 22, 33, 34)

article options options  
**FC 3379-E7GM2K50T6**

Housing	
<b>FC</b>	metal, one conduit entry

Contact blocks	
<b>33</b>	1NO+1NC, slow action
<b>34</b>	2NC, slow action

Actuating head	
<b>79</b>	longitudinal head
<b>80</b>	transversal head

Actuating force	
	standard
<b>E7</b>	initial 20 N...final 40 N (only head 79)
<b>E9</b>	initial 13 N...final 75 N (only head 80)

Pre-installed cable glands	
	no cable gland (standard)
<b>K23</b>	cable gland for cables Ø 6 ... 12 mm
<b>K50</b>	M12 metal connector, 5-pole

Threaded conduit entry	
<b>M2</b>	M20x1.5 (standard)
	PG 11

Ambient temperature	
	-25°C ... +80°C (standard)
<b>T6</b>	-40°C ... +80°C

Contact type	
	silver contacts (standard)
<b>G</b>	silver contacts with 1 µm gold coating

article options options  
**FD 874-E7GM2K50T6**

Housing	
<b>FD</b>	metal, one conduit entry
<b>FL</b>	metal, three conduit entries
<b>FP</b>	technopolymer, one conduit entry
<b>FR</b>	technopolymer, one conduit entry
<b>FM</b>	metal, one conduit entry
<b>FX</b>	technopolymer, two conduit entries
<b>FZ</b>	metal, two conduit entries

Actuating force	
	standard
<b>E7</b>	initial 20 N...final 40 N

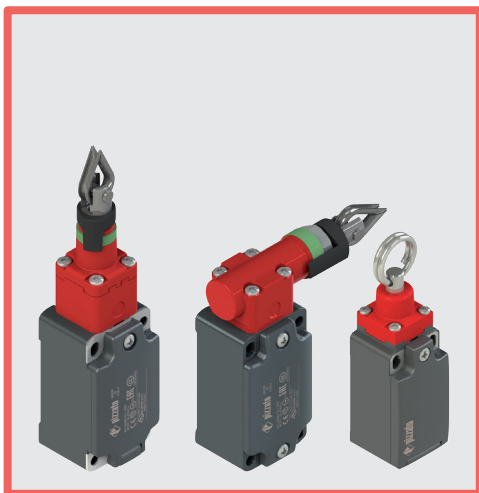
Contact type	
	silver contacts (standard)
<b>G</b>	silver contacts with 1 µm gold coating
<b>G1</b>	silver contacts with 2.5 µm gold coating

Pre-installed cable glands or connectors	
	no cable gland or connector (standard)
<b>K23</b>	cable gland for cables Ø 6 ... 12 mm
...	...
<b>K50</b>	M12 metal connector, 5-pole
...	...

For the complete list of possible combinations please contact our technical department.

Threaded conduit entry	
<b>M2</b>	M20x1.5 (standard)
<b>M1</b>	M16x1.5 (FR-FX housing only)
	PG 13.5
<b>A</b>	PG 11 (FR-FX housing only)

Ambient temperature	
	-25°C ... +80°C (standard)
<b>T6</b>	-40°C ... +80°C



### Main features

- Metal or plastic housing, from one to three conduit entries
- Protection degree IP67
- 7 contact blocks available
- Versions with vertical or horizontal actuation
- Versions with assembled M12 connector
- Versions with gold-plated silver contacts

### Quality marks:



IMQ approval:	EG605 (FD-FL-FP-FC series) EG610 (FR-FX-FM-FZ series)
UL approval:	E131787
CCC approval:	2021000305000099 (FD-FP-FL-FC series) 2021000305000101 (FR-FX-FM-FZ series)
EAC approval:	RU C-IT.YT03.B.00035/19

### Technical data

#### Housing

FP, FR, FX series housing made of glass fibre reinforced technopolymer, self-extinguishing, shock-proof and with double insulation:

FD, FL, FC, FM, FZ series: metal housing, baked powder coating.

FD, FP, FC, FR, FM series: one threaded conduit entry: M20x1.5 (standard)

FX series: two knock-out threaded conduit entries: M20x1.5 (standard)

FZ series: two threaded conduit entries: M20x1.5 (standard)

FL series: three threaded conduit entries: M20x1.5 (standard)

Protection degree: IP67 acc. to EN 60529 with cable gland of equal or higher protection degree

#### General data

SIL (SIL CL) up to:	SIL 3 acc. to EN 62061
Performance Level (PL) up to:	PL e acc. to EN ISO 13849-1
Safety parameters:	
$B_{10D}$ :	200,000 for NC contacts
Mission time:	20 years
Ambient temperature:	-25°C ... +80°C (standard) -40°C ... +80°C (T6 option)
Max. actuation frequency:	1 cycle / 6 s
Mechanical endurance:	100,000 operating cycles
Max. actuation speed:	0.5 m/s
Min. actuation speed:	1 mm/s
Tightening torques for installation:	see pages 441 and 443
Wire cross-sections and wire stripping lengths:	see page 461

#### In compliance with standards:

IEC 60947-5-1, IEC 60947-1, IEC 60204-1, EN ISO 14119, EN ISO 12100, IEC 60529, EN IEC 63000, UL 508, CSA C22.2 No. 14.

#### Approvals:

EN 60947-5-1, UL 508, CSA C22.2 No. 14, GB/T14048.5

#### Compliance with the requirements of:

Low Voltage Directive 2014/35/EU, EMC Directive 2014/30/EU, RoHS Directive 2011/65/EU.

#### Positive contact opening in conformity with standards:

IEC 60947-5-1, EN 60947-5-1.

If not expressly indicated in this chapter, for correct installation and utilization of all articles see the instructions given on pages 443 to 454.

### Electrical data

### Utilization category

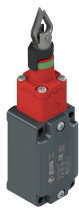
without connector	Thermal current ( $I_{th}$ ):	10 A	Alternating current: AC15 (50÷60 Hz)			
	Rated insulation voltage ( $U_i$ ):	500 Vac 600 Vdc	$U_e$ (V)	250	400	500
	Rated impulse withstand voltage ( $U_{imp}$ ):	400 Vac 500 Vdc (contact blocks 20, 21, 22, 33, 34)	$I_e$ (A)	6	4	1
		6 kV	Direct current: DC13			
Conditional short circuit current:	4 kV (contact blocks 20, 21, 22, 33, 34)	$U_e$ (V)	24	125	250	
	1000 A acc. to EN 60947-5-1	$I_e$ (A)	3	0.55	0.3	
Protection against short circuits:	type aM fuse 10 A 500 V					
Pollution degree:	3					

with M12 connector, 4 and 5-pole	Thermal current ( $I_{th}$ ):	4 A	Alternating current: AC15 (50÷60 Hz)			
	Rated insulation voltage ( $U_i$ ):	250 Vac 300 Vdc	$U_e$ (V)	24	120	250
	Protection against short circuits:	type gG fuse 4 A 500 V	$I_e$ (A)	4	4	4
		Pollution degree:	3	Direct current: DC13		
$U_e$ (V)	24	125	250			
$I_e$ (A)	3	0.55	0.3			

with M12 connector, 8-pole	Thermal current ( $I_{th}$ ):	2 A	Alternating current: AC15 (50÷60 Hz)			
	Rated insulation voltage ( $U_i$ ):	30 Vac 36 Vdc	$U_e$ (V)	24		
	Protection against short circuits:	type gG fuse 2 A 500 V	$I_e$ (A)	2		
		Pollution degree:	3	Direct current: DC13		
$U_e$ (V)	24					
$I_e$ (A)	2					



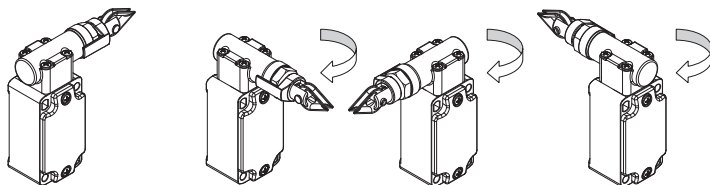
## Description



These rope-operated safety switches are installed on machines or conveyor belts and facilitate the simple shut-down of the machine from any point and with any pull on the rope.

Provided with self-control function, they allow the constant monitoring of correct functioning, signalling with the opening of the contacts an eventual loosening or breaking of the rope.

## Head with variable orientation



For all switches, the head can be adjusted in 90° steps after removing the four fastening screws.

## Protection degree IP67

# IP67

These devices are designed to be used under the toughest environmental conditions, and they pass the IP67 immersion test acc. to EN 60529.

They can therefore be used in all environments where the maximum degree of protection is required for the housing.

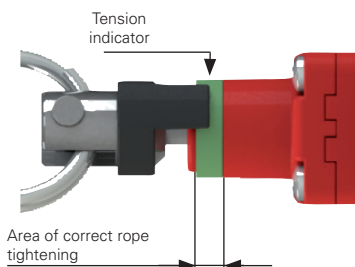
## Extended temperature range

# -40°C

These devices are also available in a special version suitable for an ambient operating temperature range from -40°C up to +80°C.

They can therefore be used for applications in cold stores, sterilisers and other equipment with low temperature environments. The special materials used to produce these versions retain their characteristics even under these conditions, thereby expanding the installation possibilities.

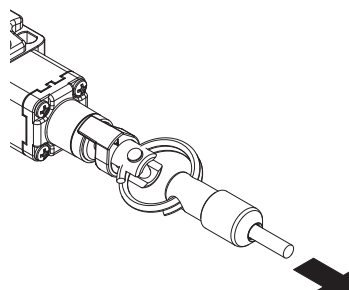
## Indicator for rope adjustment



The switches (head 79 and 80) are provided with a green ring that shows the area of the correct tightening of the rope. The installer has only to tighten the rope until the black indicator will be in the middle of the green area. If the tension (or loosening) on the rope is so high that the black indicator exits the green area, the electrical safety contacts will open.

electrical safety contacts will open.

## Actuating forces



These switches can be supplied with reduced hardness internal springs on request. The force required to actuate the switch can thereby be reduced without changing the actuating path of the electrical contacts. This is particularly advantageous for smaller spans, but must, however, always make use of rope pulleys.

## Features approved by IMQ

Rated insulation voltage (U <sub>i</sub> ):	500 Vac 400 Vac (for contact blocks 2, 11, 12, 20, 21, 22, 28, 29, 30, 33, 34, 37)
Conventional free air thermal current (I <sub>th</sub> ):	10 A
Protection against short circuits:	type aM fuse 10 A 500 V
Rated impulse withstand voltage (U <sub>imp</sub> ):	6 kV 4 kV (for contact blocks 20, 21, 22, 28, 29, 30, 33, 34)
Protection degree of the housing:	IP67
MV terminals (screw terminals)	
Pollution degree:	3
Utilization category:	AC15
Operating voltage (U <sub>e</sub> ):	400 Vac (50 Hz)
Operating current (I <sub>e</sub> ):	3 A
Forms of the contact element:	Za, Za+Za, X+X, Zb, Y+Y, Y+Y+X, Y+Y+Y, Y+X+X, Y, X.
Positive opening of contacts on contact blocks	5, 6, 7, 8, 9, 11, 13, 14, 16, 17, 18, 19, 20, 21, 22, 28, 29, 30, 33, 34, 37, 38, 39, 66.
In compliance with standards:	EN 60947-1, EN 60947-5-1, fundamental requirements of the Low Voltage Directive 2014/35/EU.

Please contact our technical department for the list of approved products.

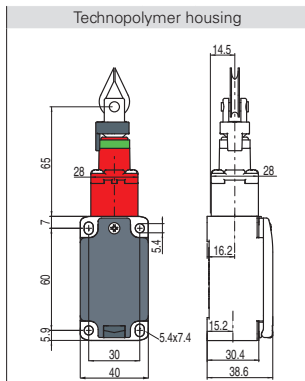
## Features approved by UL

Electrical Ratings:	Q300 pilot duty (69 VA, 125-250 V dc) A600 pilot duty (720 VA, 120-600 V ac)
Environmental Ratings:	FR: Types 1, 4X FD, FP, FC, FM, FX, FZ, FL: Types 1, 4X, 12, 13
	Use 60 or 75°C copper (Cu) conductor and wire size range 12, 14 AWG, stranded or solid.
	The terminal tightening torque of 7.1 lb in (0.8 Nm).
	For FR, FP, FX series: the hub is to be connected to the conduit before the hub is connected to the enclosure.

Please contact our technical department for the list of approved products.

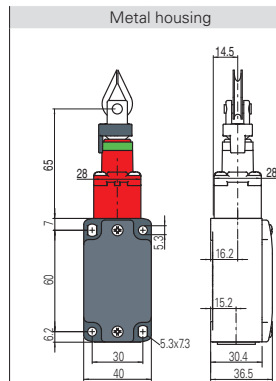
# Safety rope switch without reset for simple stop

Contact type:  
 L = slow action

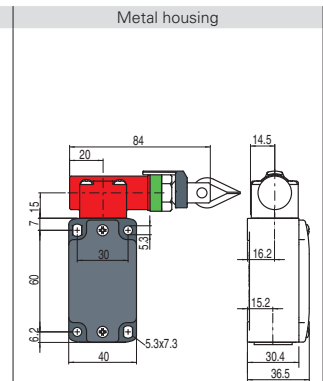


Contact block

9	<input type="checkbox"/> L	FP 979-M2	⊕	2NC
18	<input type="checkbox"/> L	FP 1879-M2	⊕	1NO+1NC
20	<input type="checkbox"/> L	FP 2079-M2	⊕	1NO+2NC
21	<input type="checkbox"/> L	FP 2179-M2	⊕	3NC
22	<input type="checkbox"/> L	FP 2279-M2	⊕	2NO+1NC
33	<input type="checkbox"/> L	FP 3379-M2	⊕	1NO+1NC
34	<input type="checkbox"/> L	FP 3479-M2	⊕	2NC
Actuating force		Initial 63 N...final 83 N (90 N ⊕)		
Travel diagrams		Page 264 - group 1		

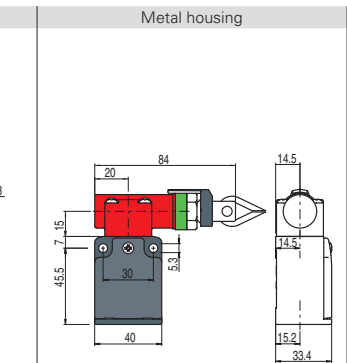
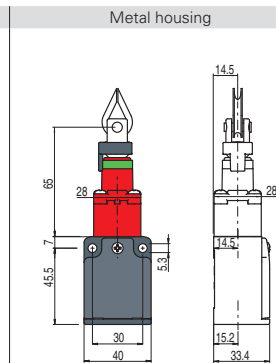
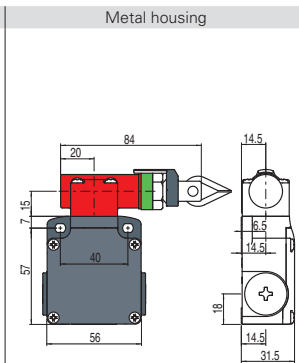
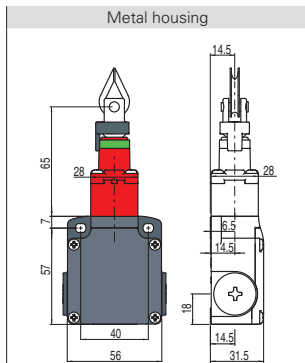


FD 979-M2	⊕	2NC
FD 1879-M2	⊕	1NO+1NC
FD 2079-M2	⊕	1NO+2NC
FD 2179-M2	⊕	3NC
FD 2279-M2	⊕	2NO+1NC
FD 3379-M2	⊕	1NO+1NC
FD 3479-M2	⊕	2NC
Actuating force		Initial 63 N...final 83 N (90 N ⊕)
Travel diagrams		Page 264 - group 1



FD 980-M2	⊕	2NC
FD 1880-M2	⊕	1NO+1NC
FD 2080-M2	⊕	1NO+2NC
FD 2180-M2	⊕	3NC
FD 2280-M2	⊕	2NO+1NC
FD 3380-M2	⊕	1NO+1NC
FD 3480-M2	⊕	2NC
Actuating force		Initial 147 N...final 235 N (250 N ⊕)
Travel diagrams		Page 264 - group 2

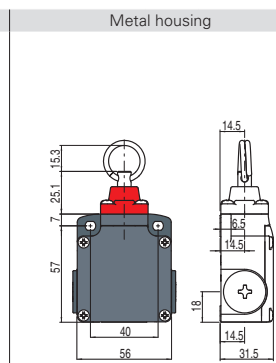
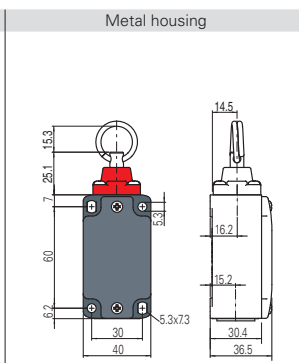
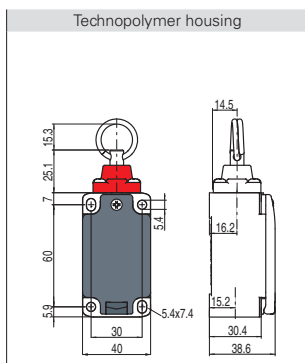
Contact type:  
 L = slow action



Contact block

9	<input type="checkbox"/> L	FL 979-M2	⊕	2NC	/	/	/
18	<input type="checkbox"/> L	FL 1879-M2	⊕	1NO+1NC	/	/	/
20	<input type="checkbox"/> L	FL 2079-M2	⊕	1NO+2NC	/	/	/
21	<input type="checkbox"/> L	FL 2179-M2	⊕	3NC	/	/	/
22	<input type="checkbox"/> L	FL 2279-M2	⊕	2NO+1NC	/	/	/
33	<input type="checkbox"/> L	FL 3379-M2	⊕	1NO+1NC	FC 3379-M2	⊕	1NO+1NC
34	<input type="checkbox"/> L	FL 3479-M2	⊕	2NC	FC 3479-M2	⊕	2NC
Actuating force		Initial 63 N...final 83 N (90 N ⊕)	Initial 147 N...final 235 N (250 N ⊕)	Initial 63 N...final 83 N (90 N ⊕)	Initial 147 N...final 235 N (250 N ⊕)		
Travel diagrams		Page 264 - group 1	Page 264 - group 2	Page 264 - group 1	Page 264 - group 2		

Contact type:  
 L = slow action



Contact block

8	<input type="checkbox"/> L	FP 874-M2	⊕	1NC	FD 874-M2	⊕	1NC	FL 874-M2	⊕	1NC
Actuating force		Initial 63 N...final 83 N (90 N ⊕)			Initial 63 N...final 83 N (90 N ⊕)			Initial 63 N...final 83 N (90 N ⊕)		
Travel diagrams		Page 264 - group 3			Page 264 - group 3			Page 264 - group 3		

All values in the drawings are in mm

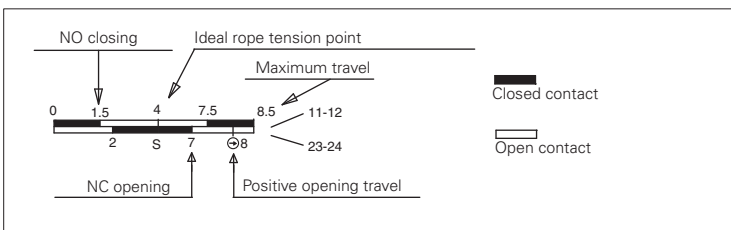
Accessories See page 419

→ The 2D and 3D files are available at [www.pizzato.com](http://www.pizzato.com)



Contact type: L = slow action	Technopolymer housing	Metal housing	Technopolymer housing	Metal housing
8	FR 874-M2	FM 874-M2	FX 874-M2	FZ 874-M2
Actuating force	Initial 63 N...final 83 N (90 N)	Initial 63 N...final 83 N (90 N)	Initial 63 N...final 83 N (90 N)	Initial 63 N...final 83 N (90 N)
Travel diagrams	Page 264 - group 3	Page 264 - group 3	Page 264 - group 3	Page 264 - group 3

### How to read travel diagrams

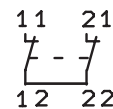


#### IMPORTANT:

In **safety applications**, actuate the switch **at least up to the positive opening travel** shown in the travel diagrams with symbol ⊕. Actuate the switch **at least with the positive opening force**, reported in brackets below each article, next to the actuating force value.

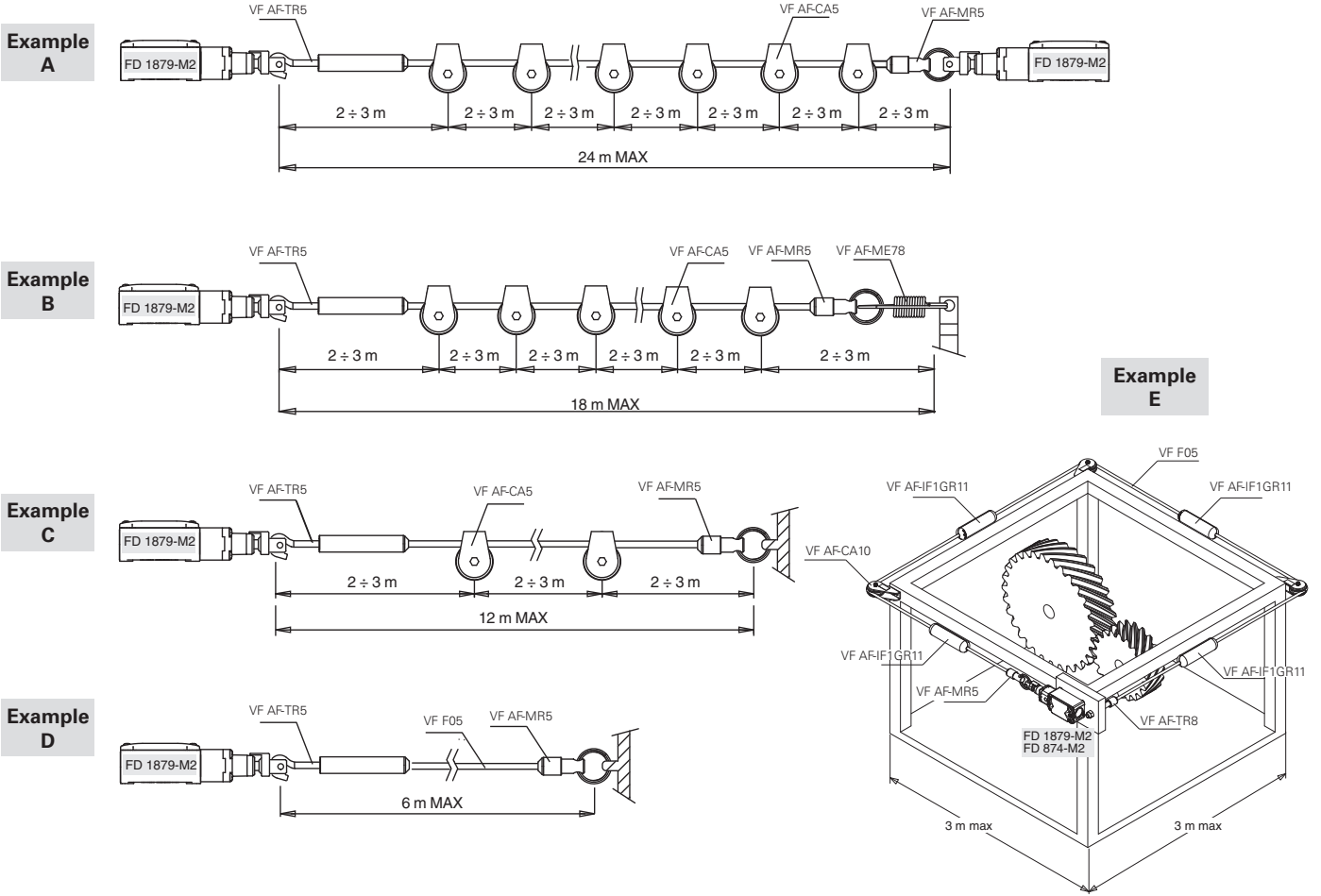
### Travel diagrams table

Contact block	Group 1	Group 2	Group 3
8 1NC			
9 2NC			
18 1NO+1NC			
20 1NO+2NC			
21 3NC			
22 2NO+1NC			
33 1NC+1NO			
34 2NC			

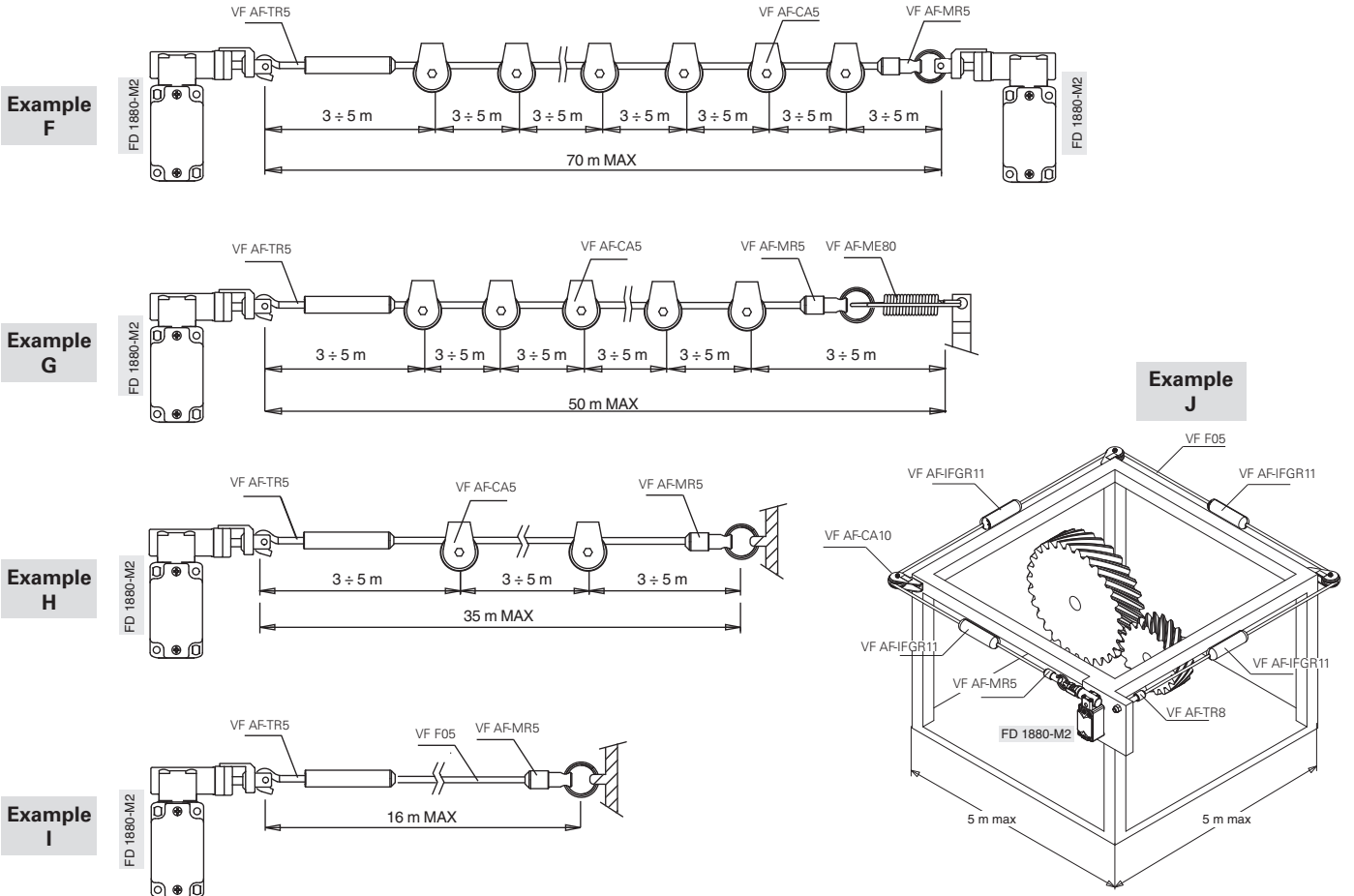


In the rest position (with rope correctly tightened) the two contacts of **contact block 8** are both closed and are activated respectively by tightening or loosening the rope. In order to use this contact block for safety applications it is necessary to connect the two contacts in series. For this reason, in the wiring diagrams the **contact block 8** is indicated as 1NC, whereas in travel diagrams both contacts are indicated.

Application examples and max. rope length for switches with longitudinal head

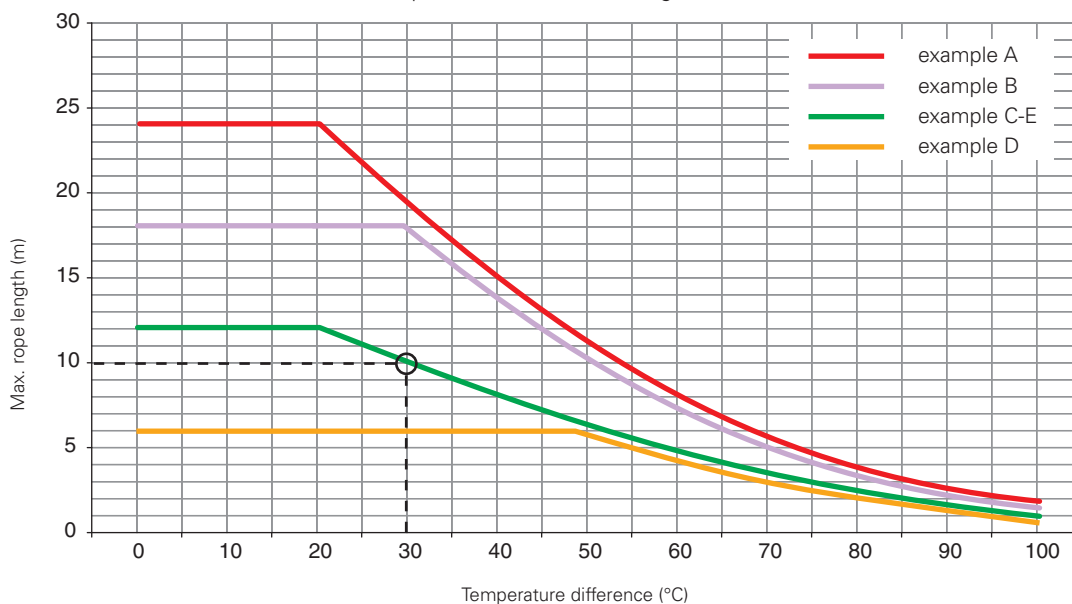


Application examples and max. rope length for switches with transversal head



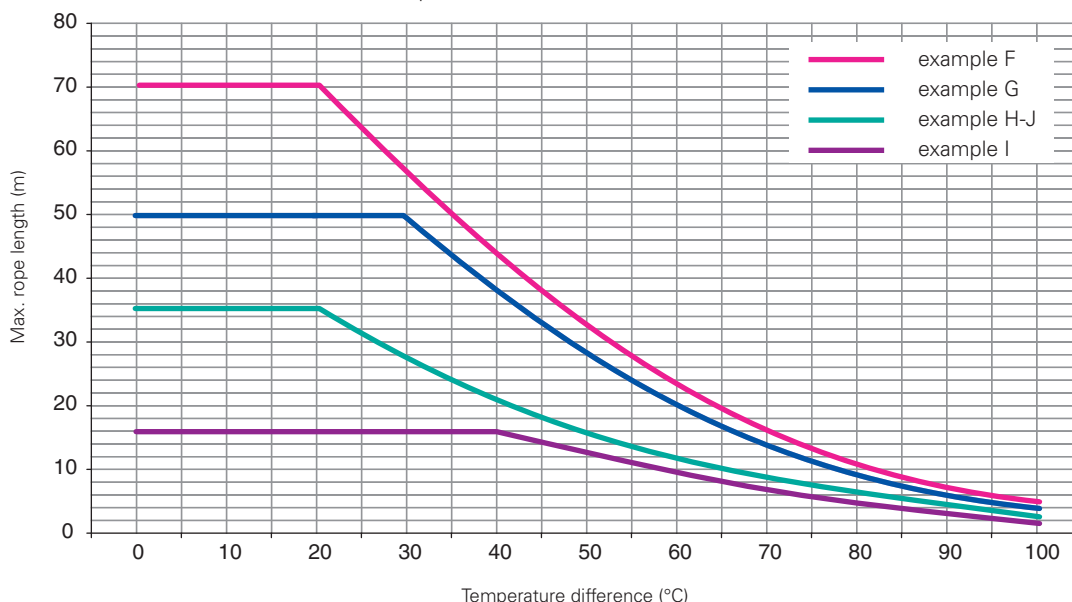
## Maximum spans

Maximum spans for switches with longitudinal head



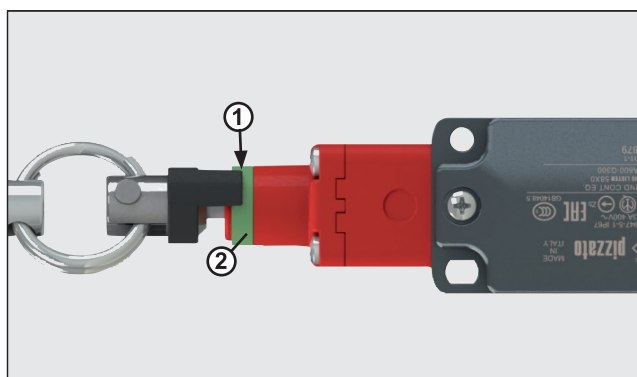
The max. recommended spans are indicated in the diagram as a function of the temperature fluctuations (temperature differences) to which the switch may be exposed at the point of use. For instance, with installation of type C and a temperature difference of 30°C, the max. recommended rope length is 10 metres.

Maximum spans for switches with transversal head

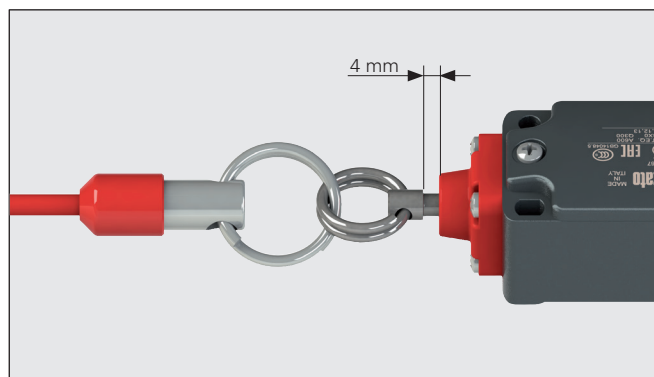


**Important:** The above data are guaranteed only using original rope and accessories. See page 267.

## Adjustment of the switching point



**For switches with head 79 and 80:** Tighten the rope connected to the switch, until the end of the indicator (1) reaches about the middle of the green ring (2).



**For switches with head 74:** Tighten the rope connected to the switch until the thimble will be at about 4 mm from the head.