

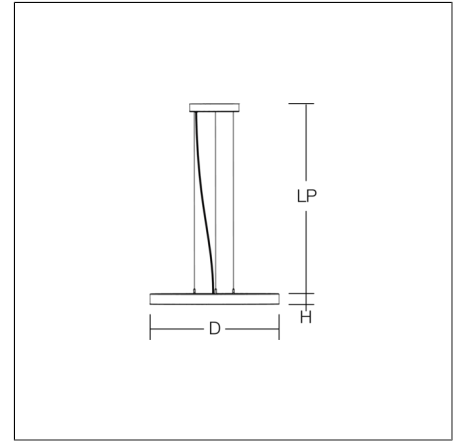
# TRIONA round

312390.004.2.76 | Pendant luminaires



Pendant luminaires  
4051859441946  
D 845, H 52

pendant  
silver, matt (approx. RAL 9006)



Decorative round LED pendant-mounted surface luminaire. Flat, seamless frame: aluminium extrusion profile, powder coated. Cover made of sheet steel, powder-coated. Canopy made of aluminium, powder-coated. Direct light emission through a diffuser plastic opal. Indirect light emission through a flush diffuser made of satin-finish plastic. Lightguide and diffuser made of non-yellowing plastic (PMMA). Lateral light emission (RZB SIDELITE® technology) for above-average homogeneous light distribution. Direct 70%, indirect 30% light emission. Tunable white versions, dynamically adjustable from 2700 K to 6500 K. 3-point steel cable suspension, steplessly adjustable. Easy installation with transparent, adjustable pendant cable and canopy with magnetic fixing. Driver integrated.

## Product specifications

Diameter D	845 mm
Height H	52 mm
Suspension length LP	500-1200 mm
Weight	16.4 kg
Light source	LED
Colour temperature	2700 - 6500 K
Rated luminous flux	6550...6800 lm
System power	76...78 W
System efficiency	84...89 lm/W
Beam angle	down 104° up 105°
Rated life	50000 h (L80/B50)
Colour rendering index (CRI)	80
Colour tolerance	3
Photobiological safety according to EN 62471	Risk group 1
Driver	Converter, dimmable
Control	DALI
Voltage	220 - 240 V / 50 - 60 Hz
Luminaires on B10A fuse	6
Luminaires on B16A fuse	10
Luminaires on C10A fuse	10
Luminaires on C16A fuse	16
Inrush current / Inrush current duration	39 A / 286 µs
CIE Flux Code / CEN Flux Code	50 80 96 73 100
Type of protection	IP 20
Protection class	I
Filament test	650°C - 30 seconds
Impact resistance	IK03
Ambient temperature	25 °C
Conformity mark	CE, EAC