

# Essentia Intelligent DIN-Rail Input/Output Unit EME213-I

Instruction Sheet  
R10123GB1



## **Schneider Electric Fire & Security Oy**

Sokerilinnantie 11 C  
FI-02600 Espoo, Finland  
Tel: +358 10 446 511  
Website: [www.se.com](http://www.se.com)  
Document number: R10123GB1  
Published: 08.10.2020

© 2020 – Schneider Electric. All Rights Reserved. This information is only to be used as guidance. Subject to changes and errors.

# Contents

<b>1</b>	<b>Essentia Intelligent DIN-Rail Input/Output Unit EME213-I .....</b>	<b>4</b>
1.1	Status indications .....	4
1.2	Dimensions .....	4
1.3	Essentia intelligent DIN-rail input/output unit standard resistive monitoring mode connectivity diagram .....	5

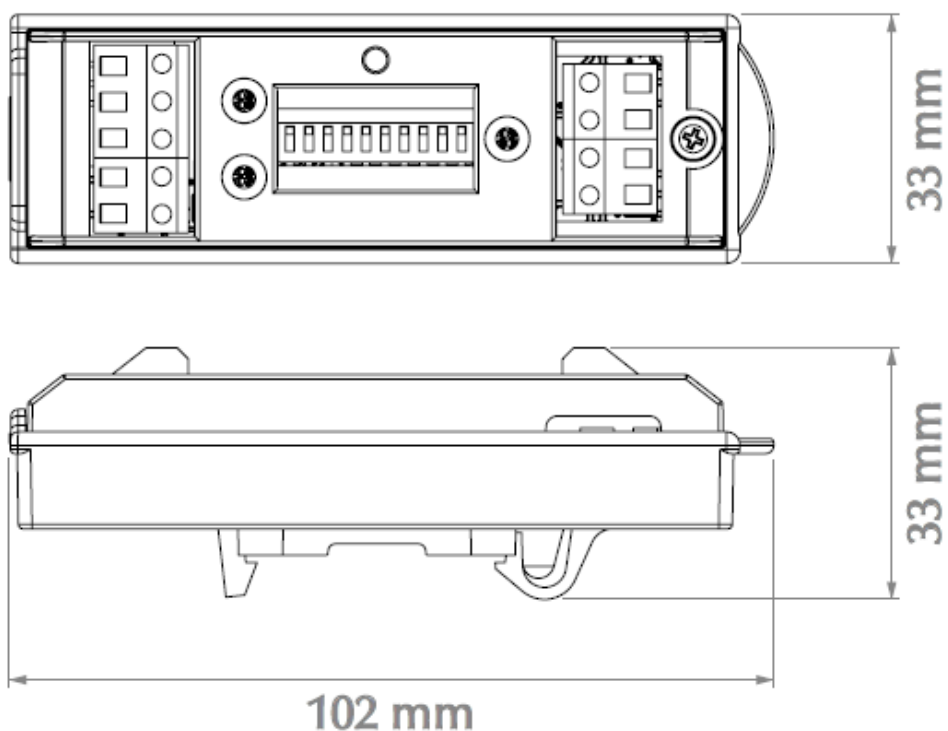
# 1 Essentia Intelligent DIN-Rail Input/Output Unit EME213-I

The Essentia intelligent DIN-rail input/output unit (FFS06720313 and FFS06720313SA) with isolator provides supervision of normally open contacts connected to a single pair of cables. Output has a changeover relay. There is a DIL switch for address setting. Address range is 1-126.

## 1.1 Status indications

Legend	LED Status	Description
RLY	Continuous Red	Relay Active
RLY	Continuous Yellow	Relay Fault
Poll/ISO	Flashing Green	Polling LED
Poll/ISO	Continuous Yellow	Isolator LED
I/P	Continuous Yellow	Input Fault
I/P	Continuous Red	Input Active

## 1.2 Dimensions



### 1.3 Essentia intelligent DIN-rail input/output unit standard resistive monitoring mode connectivity diagram

