

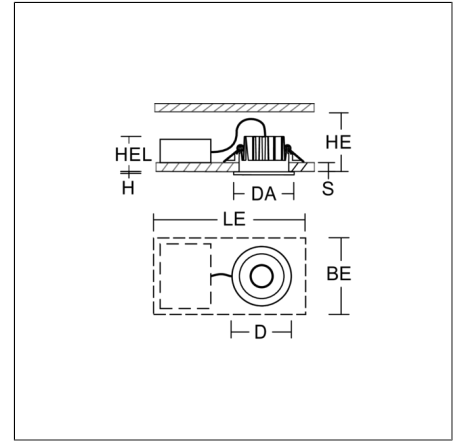
TURIA L

672411.002 | Stand-by luminaires for escape route illumination



Recessed ceiling luminaires
4051859461760
D 62, H 3

Recessed ceiling mounting
white



Round emergency luminaire for escape route lighting. With plastic lenses for area lighting. Suitable for connection to central battery systems. With enclosed separate ceiling mounting ring also suitable for ceiling cut-outs of Ø 68 mm.

Product specifications

Typ of emergency lighting	Central battery system
Monitoring	Power circuit
Battery	without
Operating mode	non-maintained power mode
Diameter D	62 mm
Height H	3 mm
Cut-out diameter DA	54-68 mm
Installation space height HE	76-162 mm
Luminaire: recess height HEL	42 mm
Ceiling thickness S	1-35 mm
Weight	230 g
Light source	LED
Colour temperature	6500 K
Rated luminous flux, mains operation	250 lm
System power, mains operation	3,8 W
Rated luminous flux, emergency operation	250 lm
System power, emergency operation	3,8 W
System efficiency	66 lm/W
Glare evaluation UGR (4H 8H)	40,3
Beam angle	139°
Colour rendering index (CRI)	70
Photobiological safety according to EN 62471	Risk group 1
Driver	Converter
Control	on/off
Voltage	220 - 240 V / 0 Hz, 50 - 60 Hz
Luminaires on B10A fuse	8
Luminaires on B16A fuse	13
Luminaires on C10A fuse	13
Luminaires on C16A fuse	21
Inrush current / Inrush current duration	8 A
CIE Flux Code / CEN Flux Code	16 57 99 100 100
Type of protection	IP 20
Protection class	II
Filament test	850°C - 30 seconds
Impact resistance	IK03
Ambient temperature for maintained power	-20 °C ... + 30 °C
Ambient temperature for non-maintained power mode	-20 °C ... + 30 °C
Safety marks	Do not cover the recessed luminaire!
Conformity mark	CE