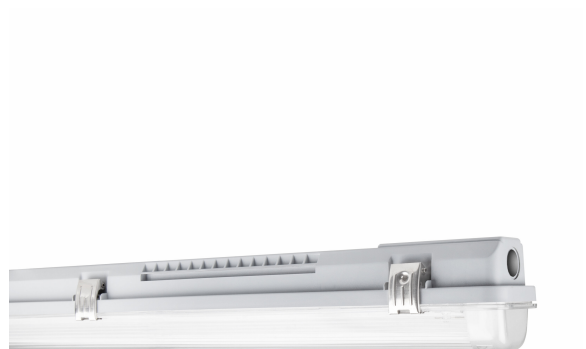


# PRODUCT DATASHEET

## DP HOUSING DALI 1500 P 1XLAMP IP65

DAMP PROOF HOUSING DALI | Damp-proof luminaire for dimmable LED TUBE



### Areas of application

- Parking lots, warehouses, production areas
- Dimmable installations
- Car parks and underpasses
- Garages

### Product benefits

- Easy and quick installation
- Prewired for easy installation of LED TUBE T8 EXTERNAL SYSTEM
- Toolless installation
- Robust housing
- Sustainable solution thanks to exchangeable light sources
- 5 years guarantee

### Product features

- Luminaire housing, available for 1 or 2 T8 LED tubes
- Dimmable EXTERNAL SYSTEM Driver is already installed
- Suitable for LEDVANCE LED TUBE T8 EXTERNAL SYSTEM
- DALI 2.0 interface for light management system integration
- Integrated electrical fuse
- Type of protection: IP65



TECHNICAL DATA

Electrical data

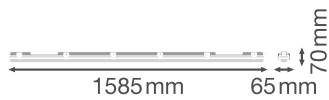
Nominal voltage	220...240 V
Mains frequency	0/50/60 Hz
Protection class	I
Operating mode	Integrated LED driver
Dimming interface	DALI-2

Photometrical data

Flickering metric (Pst LM)	< 1
Stroboscope effect metric (SVM)	< 0.4

Dimensions & Weight

Length	1585.00 mm
Width	65.00 mm
Height	70.00 mm
Product weight	1110.00 g



DP HOUSING 1500 P 1XLAMP  
IP65

Materials & Colors

Product color	Gray
Housing color	Gray
Body material	Polycarbonate (PC)
Cover material	Polycarbonate (PC)
Light emitting surface material	Polycarbonate (PC)

Glow Wire Test according to IEC 60695-2-12	850 °C
Mercury content	0.0 mg

### Application & Mounting

Ambient temperature range	-20...+40 °C
Temperature range at storage	-20...+80 °C
Type of connection	Screwless terminal, 5-Pole (L, N, PE, DA+, DA-)
Type of protection	IP65
Protection class IK (shock resistance)	IK08
Dimmable	Yes
Type of dimming	DALI2
Mounting type	Surface
Mounting location	Ceiling
Application environment	Indoor
With light source	No
Holder designation	G13

### Control gear

ECG - Output ripple current	≤ 5 %
-----------------------------	-------



### Certificates & Standards




Standards	CE / TÜV Rheinland / EAC / UKCA
Luminaire with limited surface temperature, "D sign"	No
Ball shot safe	No

### EQUIPMENT / ACCESSORIES



- Through-wiring cable kit available
- Stainless steel clamps and M20 cable gland included

### DOWNLOAD DATA


Documents and certificates	Document name
 User instruction / safety instructions	UI DP HOUSING DALI
 Legal information	LN INV DALI

Documents and certificates		Document name
	Legal information	Informationstext 18 Abs 4 ElektroG
	Declarations of conformity	CE Declaration DP HOUSING
	Declarations of conformity UKCA	UKCA Declaration DP HOUSING

CAD/BIM files		Document name
	BIM Revit 3D	Damp Proof Housing G3
	CAD STEP 3D	DP HOUSING G3 1 1500

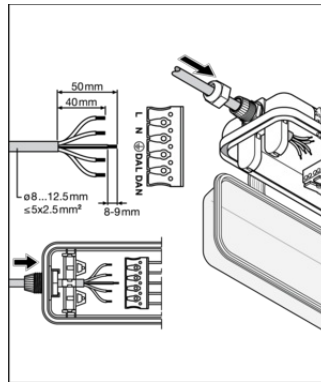
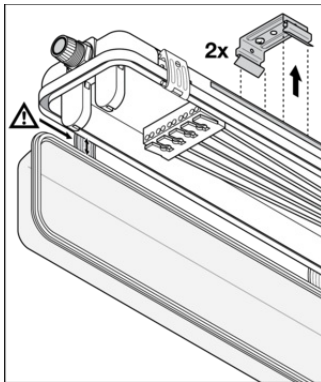
Tender texts		Document name
	Tender documents	DAMP PROOF HOUSING DALI 1500 P 1XLAMP IP65-EN

**LOGISTICAL DATA**

Product code	Packaging unit (Pieces/Unit)	Dimensions (length x width x height)	Gross weight	Volume
4099854146480	Folding box 1	68 mm x 1,577 mm x 75 mm	1280.00 g	8.04 dm <sup>3</sup>
4099854146497	Shipping box 6	1,592 mm x 216 mm x 162 mm	8330.00 g	55.71 dm <sup>3</sup>
4099854246050	Shipping box 9	1,592 mm x 216 mm x 237 mm	12170.00 g	81.50 dm <sup>3</sup>

The mentioned product code describes the smallest quantity unit which can be ordered. One shipping unit can contain one or more single products. When placing an order, for the quantity please enter single or multiples of a shipping unit.

**ADDITIONAL CATALOG INFORMATION**



**T8 FL (18W, 36W, 58W)**

**G13 LED  
LED TUBE EXTERNAL  
DC 42V 350/550mA**

DC 42V 350/550 mA	
DP HOUSING DALI 1200 P 1XLAMP	1x G13 LED TUBE EXT (1.2m)
DP HOUSING DALI 1200 P 2XLAMP	2x G13 LED TUBE EXT (1.2m)
DP HOUSING DALI 1500 P 1XLAMP	1x G13 LED TUBE EXT (1.5m)
DP HOUSING DALI 1500 P 2XLAMP	2x G13 LED TUBE EXT (1.5m)

References / Links

– For Guarantee see [www.ledvance.com/guarantee](http://www.ledvance.com/guarantee)

DISCLAIMER

Subject to change without notice. Errors and omission excepted. Always make sure to use the most recent release.