

|                           |                                    |   |
|---------------------------|------------------------------------|---|
| 10127000                  | <b>DATA SHEET</b>                  |  |
| Valid from:<br>17.09.2018 | <b>EPIC<sup>®</sup> H-B 24 TBF</b> |   |

## Description

- Ideal for many applications due to a wide range of housings and inserts



## General Characteristics

|                              |   |
|------------------------------|---|
| Series                       | H-B 24  |
| Version                      | Cable coupler hood PG21 / PG29 (Article 10117000) |
| Gland Body                   | Yes   |
| Locking                      | Double lever                                      |
| Cable entry                  | Straight  |
| Protection (DIN EN 60529)    | IP 65 (latched)                                   |
| Protection (NEMA 250, UL50E) | 12 (latched)                                      |
| Temperature Range            | -40°C to +100°C, short term up to +125°C          |

## Materials and Surfaces

|            |                                      |
|------------|--------------------------------------|
| Housing    | Aluminium alloy, powder-coated, grey |
| Bolt       | Heat-treatable steel, zinc-plated    |
| Lever      | Steel, zinc-plated                   |
| Gland Body | Brass, nickel plated                 |
| Sealing    | NBR                                  |

## Approvals

|                            |      |
|----------------------------|------|
| VDE-Approval, VDE-REG.-Nr. | B437 |
|----------------------------|------|

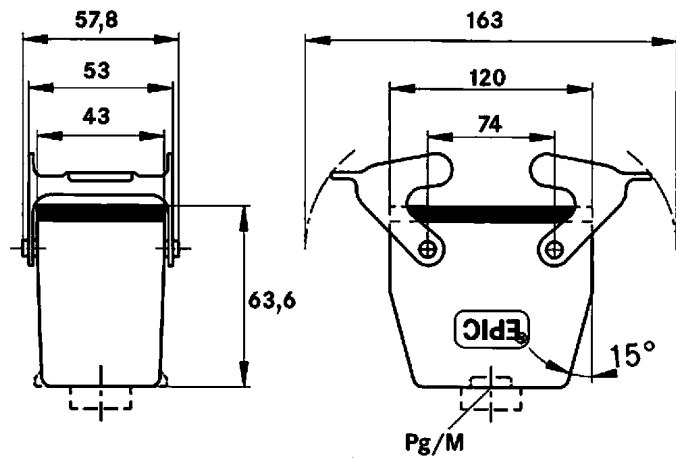
## Standard

|                 |           |
|-----------------|-----------|
| Safety Standard | IEC 61984 |
|-----------------|-----------|

|   |                                       |             |
|---|---------------------------------------|-------------|
| Creator: MANA2/PDP<br>Released: IVSE1/PDP | Document: DB10127000EN<br>Version: 01 | Page 1 of 2 |
|---|---------------------------------------|-------------|

|                           |                   |   |
|---------------------------|-------------------|---|
| 10127000                  | <b>DATA SHEET</b> |  |
| Valid from:<br>17.09.2018 | EPIC® H-B 24 TBF  |   |

## Technical Drawings



Automation



Industrial machinery and plant engineering



Mechanical resistance



Robust



Waterproof

### Info

Universal, robust metal housings size H-B 24

### Application range

Plant engineering  
Light & sound technology  
Plastics industry

### Remark

Photographs are not to scale and do not represent detailed images of the respective products.

|   |                                       |             |
|---|---------------------------------------|-------------|
| Creator: MANA2/PDP<br>Released: IVSE1/PDP | Document: DB10127000EN<br>Version: 01 | Page 2 of 2 |
|---|---------------------------------------|-------------|