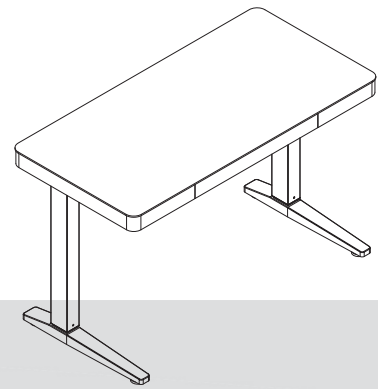


# THORGEON

## SMART DESK

21001 21002



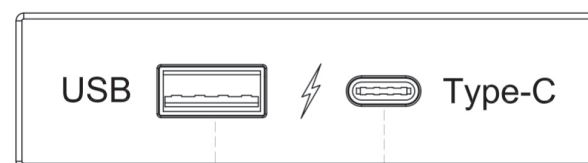
### Technical specification

<b>VOLTAGE</b>	AC100V-240V /50-60HZ
<b>RATED INPUT VOLTAGE</b>	100V-240V
<b>FREQUENCY</b>	50-60HZ
<b>RATED CURRENT</b>	1.3A
<b>NOMINAL VOITAGE</b>	29V
<b>OUTPUT CURRENT</b>	1.8A
<b>MAXIMUM POWER</b>	58W
<b>APPLICABLE AMBIENT TEMPERATURE</b>	-12°C to 45°C
<b>USB &amp; TYPE-C CHARGER</b>	18W for USB charger 45W for TYPE-C charger
<b>WIRELESS CHARGER</b>	10W for wireless charger

### Features

- wireless charger
- height adjustable
- USB model input

### USB charger



USB: 18W

Type-C: 45W

Please connect correctly with type C and the USB charger with desk.

# Wireless charging function

In the case of wireless charging compatible devices, please put the phone on the wireless charging indicator and check if the phone is successfully connected to the charging function. If not, move the mobile phone near the logo until the connection is successful. Wireless charging will only work with wireless charging compatible mobile devices.



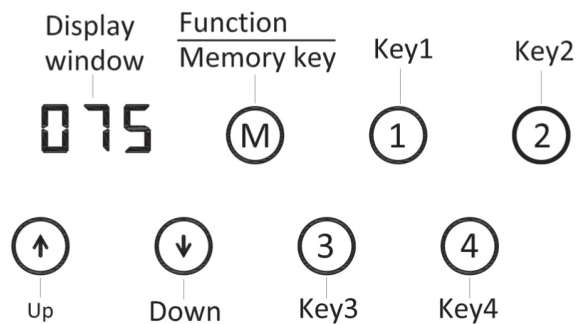
wireless charging function

## Some of the mobile phone models suitable for Qi wireless charging are as follows:

 <b>Apple</b>	iPhone 8 Series iPhone X Series iPhone 11 Series iPhone 12 Series iPhone 13 Series	iPhone SE2 iPhone SE3 iPhone 14 Series	
 <b>Samsung</b>	Galaxy S6 Series Galaxy S7 Series Galaxy S8 Series Galaxy S9 Series Galaxy S10 Series Galaxy S20 Series	Galaxy S21 Series Galaxy S22 Series Galaxy Note7 Series Galaxy Note8 Series Galaxy Note9 Series Galaxy Note10 Series	Galaxy Note20 Series Galaxy Z Flip Series Galaxy W Flip Series
 <b>Huawei</b>	Mate20 Series Mate30 Series Mate40 Series P30 Pro P40 Pro Mate50 Series		
 <b>XiaoMi</b>	Xiaomi 9 Series Xiaomi 10 Series Xiaomi 11 Series Xiaomi 12 Series MIX Series		

# Instructions for

## Key introduction



## Display Windows

075 = Height  
L = Locked  
E \* \* = See Trouble Shooting

## Child lock

- **Lock:** 15 seconds after no operation, display screen will automatically go out and lock. (You can also press the (M) key for 3 seconds to manually lock it)
- **Unlock:** long press (M) key for 3 seconds to unlock the device.

## UP and DOWN Function

- When the (↑) key is pressed, the desktop runs UP until it reaches the highest point of the desktop.
- When the (↓) key is pressed, the desktop runs DOWN until it reaches the lowest point of the desktop.

## Location storage/memory location query/memory location run

### Location to store:

- When running to the desired height, short press (M) key, digital tube display "5- ", while " - " flashing, at this time press (1)/(2)/(3)/(4) any key to store this position.

### Memory location query:

- Short press (1)/(2)/(3)/(4) any key, the display flashes the corresponding memory height.

### Memory location operation:

- Double-click or long press any key of (1)/(2)/(3)/(4), the desktop will automatically run to the height of the memory location. During running, any key can stop running.

## Re learn the lowest point of machinery

After descending to the lowest position, long press the (↓) key for 8 seconds. When the display screen displays " --- ", release it, and the desktop will automatically learn the lowest position. When the display screen displays normal numbers, the learning process is over. (This operation will not initialize any settings, which can solve the error code " r5f / E 1b " or inconsistent table leg height)

## Mechanical zero reset

- At the same time, press (↑) and (↓) keys for 5 seconds to display " --- " and then release, the desktop will automatically enter the initialization mode, the table will automatically run, wait to stop, it means that the initialization is successful.

## Sitting reminder

### Turn on the Sitting alert:

Hold down (M) + (2) button at the same time for 3 seconds and the screen blinks to display the time. Click (M) to switch the duration (optional : 30 minutes / 45 minutes / 60 minutes). Switch to the desired time to start the timer.

### End of time:

After the time of sitting reminder, the display will blink and display [hr] for 1 minute. If there is no other operation, it will blink again 5 minutes later. If there is no other operation after repeating 3 times, it will automatically exit the sitting reminder program. If you press (M) button during the blinking period, the display will display OFF, indicating that the sedentary reminding program is closed; if other keys are clicked, the display time indicates that the timing program is restarted.

### Manually turn off sitting reminders:

Hold down the (M) + (2) button at the same time ,for 3 seconds, and the display screen will display the time. At this time, press the (M) button and the display will be OFF, indicating that the sedentary reminder program is closed.

## Gyroscope anti-collision protection

Anti-collision protection with built-in gyroscope on the desktop. If the desktop collides with obstacles or tilts during operation, the system will automatically stop operation and move back a short distance in the opposite direction to prevent damage to human body or objects. (Warm tip: Although the product has this function, please do not try it. Please make sure that the path of the table is free of obstacles!

### Turn on or off the anti-collision:

Hold down the (M) + (3) button for 10 seconds. When [off] is displayed, it indicates turn off, when displayed [on] indicates turn on.

## Trouble shooting

When a failure occurs, please refer to the following solutions, find out the presumable causes and solve the problem, if these are of no help, please refer to a professional.

PROBLEM	PROBLEM CAUSE	REMEDY
No power display	Power plug not inserted properly. There is no power in the socket. The power is not switched on.	The jack must be electrical. Press the plug. Turn on the power.
No wireless charging	Power not connected. Mobile device does not have wireless charging function.	Check power is connected and on. Check your mobile device has wireless charging capability.



# Error code table

Display status	Explain	Process mode
E01	A The column is not connected	Press the up button or down button again. It still exists. Please check the motor line of pillar A
E02	B The column is not connected	Press the up button or down button again. It still exists. Please check the motor line of pillar B
E03	A Column motor overcurrent	Press the up button or down button again. It still exists. Please replace the motor A or reduce the load
E04	B Column motor overcurrent	Press the up button or down button again. It still exists. Please replace the motor B or reduce the load
E05	A Hall failure of column motor	Press the up button or down button again, it still exists. Please check the connection or replace motor A
E06	B Hall failure of column motor	Press the up button or down button again, it still exists. Please check the connection or replace motor B
E07	Abnormal main power supply	Unable to eliminate after power, replace the power supply
E08	A Column motor current is abnormal	Unable to eliminate after power loss need to return to the factory
E09	B Column motor current is abnormal	Unable to eliminate after power loss need to return to the factory
E10	A The power component of the column motor is broken	Unable to eliminate after power loss need to return to the factory
E11	B The power component of the column motor is broken	Unable to eliminate after power loss need to return to the factory
E12	Abnormal learning position	Relearn position
E13	Over temperature protection	Wait for the temperature to drop
E14	A Column motor is stuck	Press the up button or down button again. It still exists. Please replace the motor A or reduce the load
E15	B Column motor is stuck	Press the up button or down button again. It still exists. Please replace the motor B or reduce the load
E16	Position imbalance	Reinitializes the reset operation
r5r	Illegal power o	Reinitializes the reset operation

## Disposal



■ If disposal of this product becomes necessary, please do this in an environmentally responsible way. Contact your local government office or authority for suitable disposal or recycling options in your local area. Do not dispose of this product, or its components, with your general domestic waste.

# Attention

## 1. TERMS OF USE:

Product is designed for one person. Do not place heavy object. Product should not be left in a place with high humidity. The product should be used in accordance with its intended purpose.

## 2. MAINTENANCE:

Plastic parts should be cleaned with a commercially available, non-abrasive cleaning agents intended for plastic surfaces. Disassembling any of the chair's element may result in loss of stability of the chair. Repair or replacement components can only be done by trained personnel.

## 3. WARRANTY AND GUARANTEE:

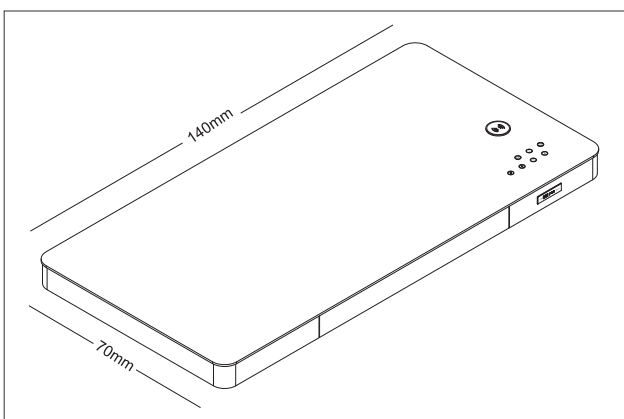
Company Halmar L.L.C. provides a product guarantee in the form of a 12-month warranty.



Manufactured in PRC

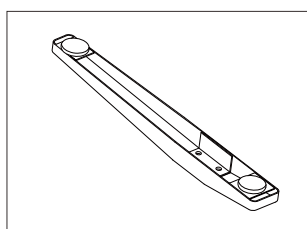
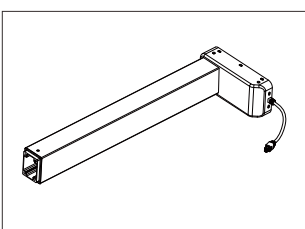
## TABLE TOP

BOX 1  
OF 2



## LEG

BOX 2  
OF 2



[www.thorgeon.com](http://www.thorgeon.com)  
SIA "ATA-1" Daugavgrivas street 77,  
Riga, Latvia, LV-1007