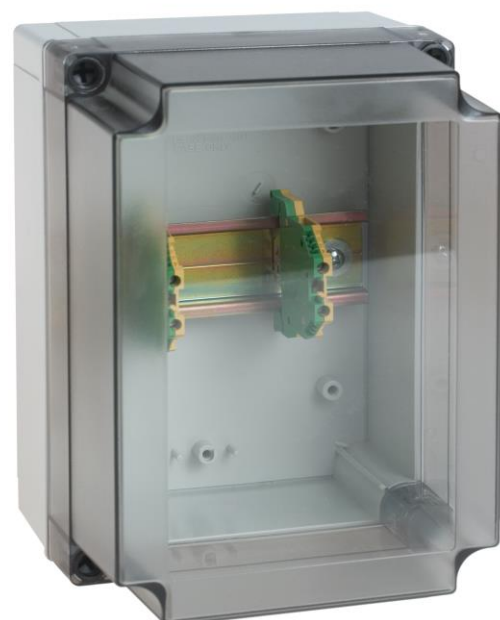


DIN-Rail Interface Enclosures

4 units and 10 units

Instruction Sheet
R10051GB1



Schneider Electric Fire & Security Oy

Sokerilinnantie 11 C
FI-02600 Espoo, Finland
Tel: +358 10 446 511
Website: www.se.com
Document number: R10051GB1
Published: 17.04.2019

© 2020 – Schneider Electric. All Rights Reserved. This information is only to be used as guidance. Subject to changes and errors.

Contents

1	DIN-Rail Interface Enclosures.....	4
1.1	Intrinsically safe circuits	4
1.2	Capacity	4
1.3	Wiring	5
1.4	Product Codes	6

1 DIN-Rail Interface Enclosures

The enclosures are available in two sizes 4 unit and 10 units. These can be used for housing intrinsically safe (IS) barriers or DIN-rail mounted modules.

The enclosures have a frosted polycarbonate lid through which LEDs can be viewed. A multi-purpose label, that features a section for use with IS systems is supplied. For non-IS systems, the part referring to IS can simply be removed.

1.1 Intrinsically safe circuits

When using these enclosures with intrinsically safe systems, it is important that segregation be provided between the IS and non-IS circuits. A distance of at least 50mm must be preserved between live conducting parts of IS and other circuits.

If the enclosure is used as part of an IS circuit, then it must always be installed inside the safe area. Never install these enclosures in the hazardous area.

Please refer to the diagrams overleaf for more information on how to configure units.

1.2 Capacity

The smaller enclosure is suitable for one addressable or two conventional IS circuits or up to four DIN-rail interfaces (dependent on the number of knock-outs required).

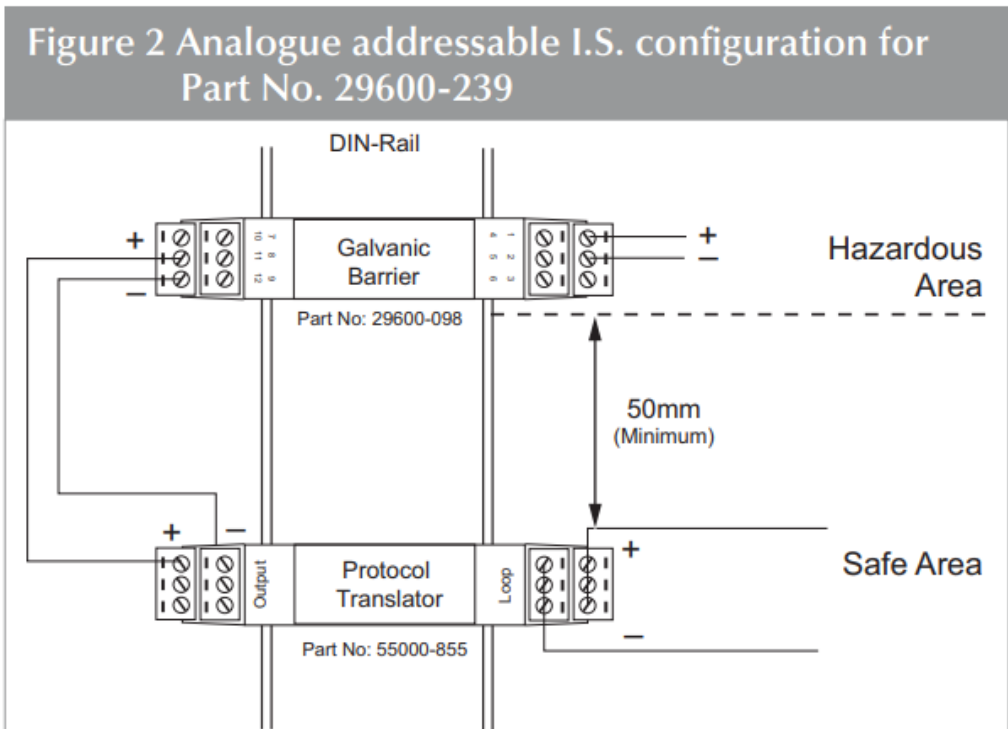
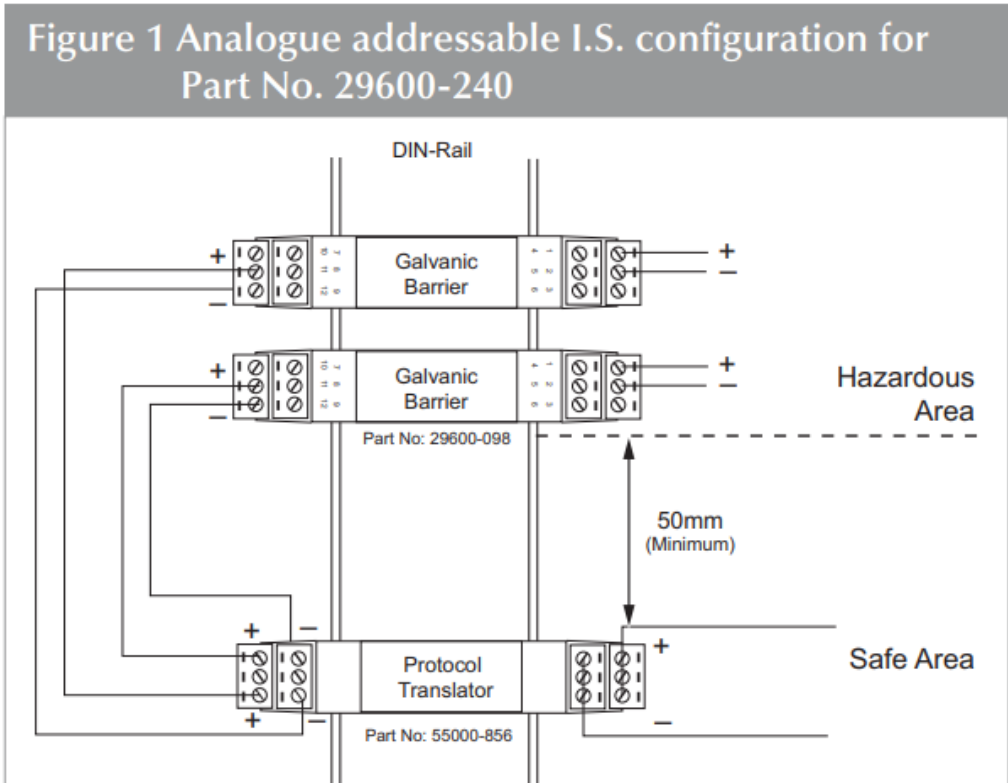
The larger enclosure can be used with up to five addressable IS circuits (using the dual protocol translator) or up to eight conventional IS circuits or up to ten DIN-rail interfaces (dependent on number of knock-outs required).

For more information on the capacity of these enclosures, please refer to the table overleaf.

Din-Rail Interface Enclosure Capacity						
Product	20 mm Cable entries	Maximum Capacity				
		Large Din-rail	Small Din-rail	Din-rail	Conventional I.S. Din rail	Addressable I.S. Din-rail
Unit 4	12 (drillable)	1	2	4	2*	1 safety barrier & 1 x translator
Unit 10	22 (knock-outs)	2	5	10	8*	5 x safety barriers and 3 x translators (2x dual and 1x single) *

*Note: Quantities calculated on minimum spacing required for I.S. wiring segregation

1.3 Wiring



1.4 Product Codes

DIN-RAIL Modules Enclosure	Product codes
Din-Rail interface 4 units (29600-239)	FFS0672 7460
Din-Rail Interface 10 units (29600-240)	FFS0672 7461