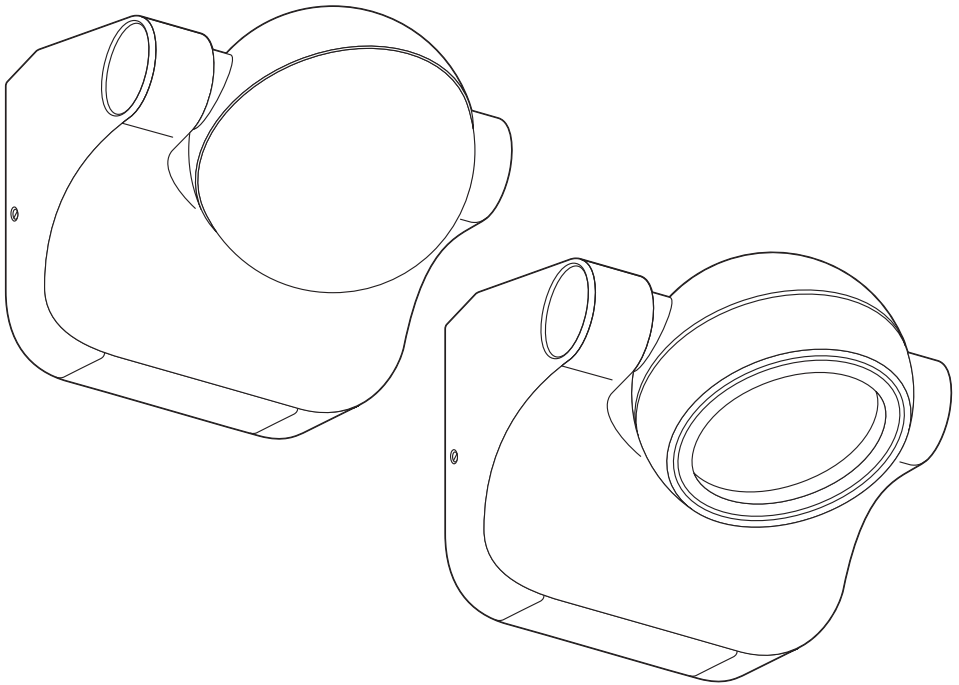
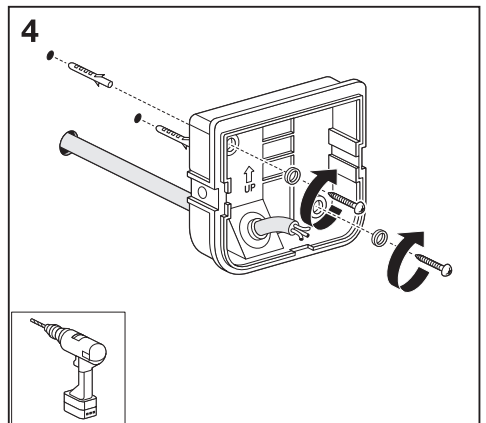
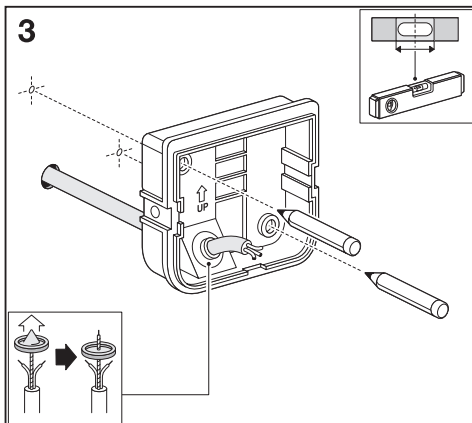
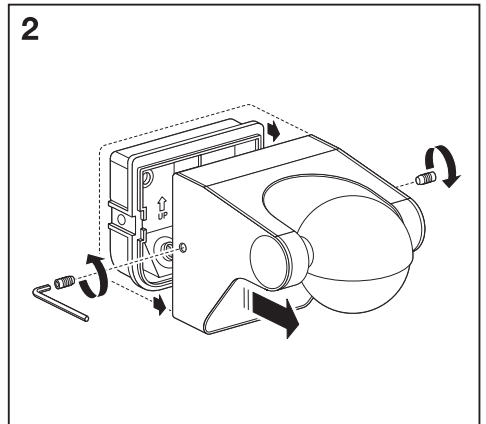
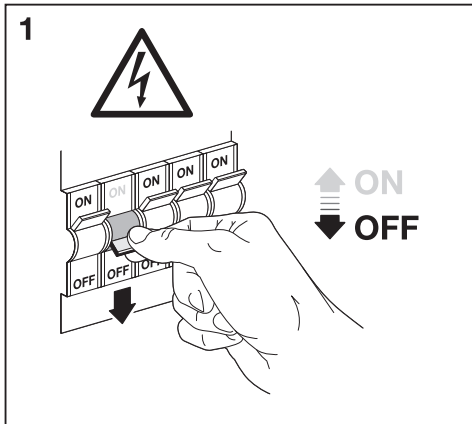
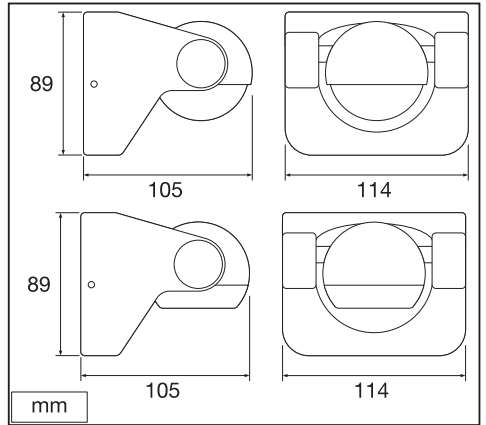
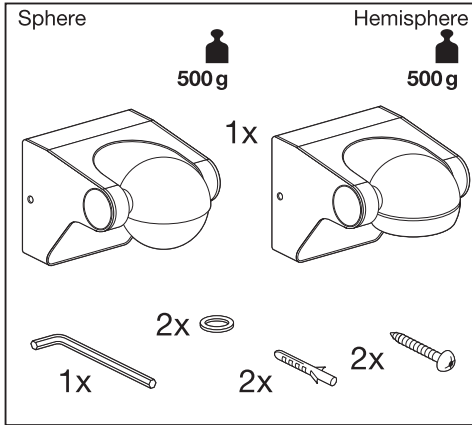
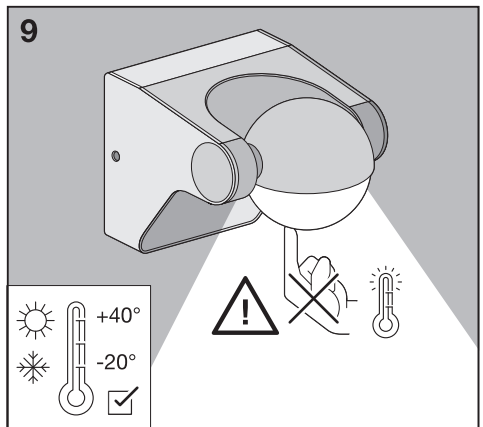
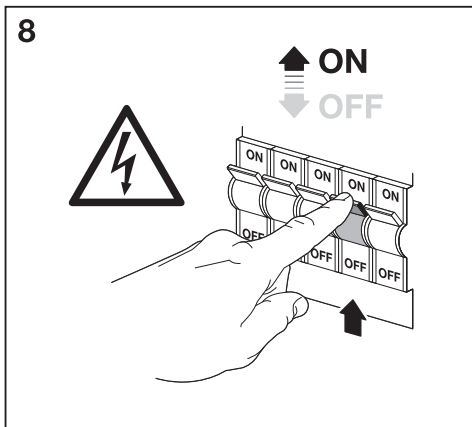
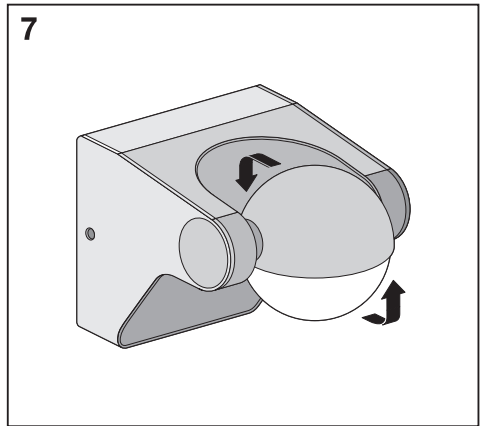
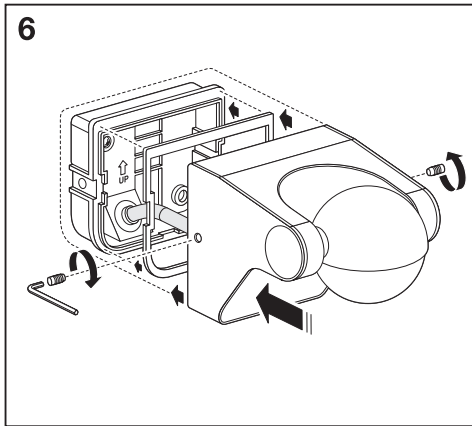
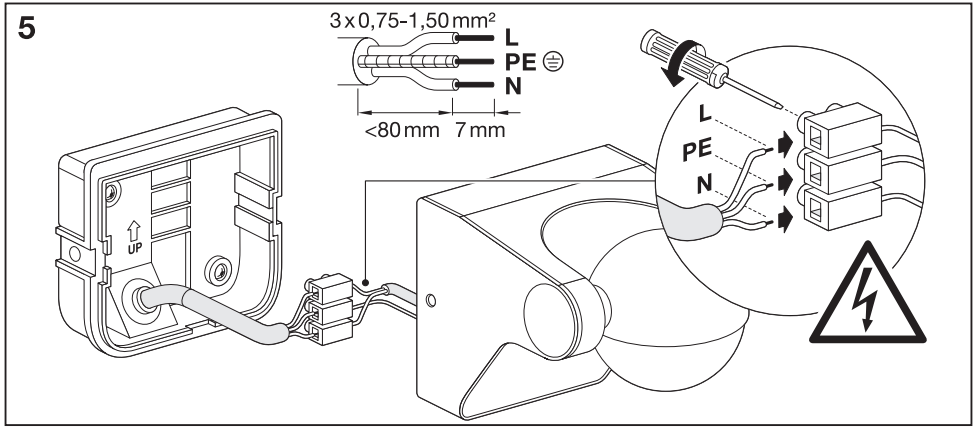



**ENDURA® STYLE
SPHERE/HEMISPHERE**



| | EAN | W | lm | K | Temp. °C | V~ | mA | Hz | DF |
|-----------------------------------|---------------|---|-----|------|-------------|---------|----|-------|------|
| ENDURA® STYLE SPHERE 8W DG | 4058075216624 | 8 | 600 | 3000 | -20...+40 | 220-240 | 50 | 50/60 | >0.5 |
| ENDURA® STYLE HEMISPHERE 6W DG | 4058075216655 | 6 | 450 | 3000 | -20...+40 | 220-240 | 40 | 50/60 | >0.5 |





| | EAN | This product contains a light source of energy efficiency class | Contained Light Source |
|-----------------------------------|---------------|---|---|
| ENDURA® STYLE SPHERE 8W DG | 4058075216624 | F |  |
| ENDURA® STYLE HEMISPHERE 6W DG | 4058075216655 | F |  |



C10449057
G11120231
30.08.2021



LEDVANCE GmbH
Steinerne Furt 62
86167 Augsburg, Germany
www.ledvance.com